

DC-AC INVERTER UNIT

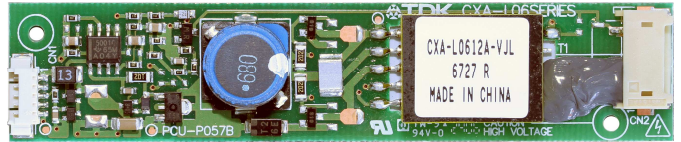
PS-L0612A-177(R) SERIES (5.0W SINGLE OUTPUT WITH DIMMING FUNCTION)

DESCRIPTION :

This DC to AC Inverter was developed for many other low LCD Backlight power supply as low profile applications. Optimized for **Kyocera: TCG057QV1AA and KCG057QV1CA and KCG057QV1DB**

APPLICABLE LCD:

- 10 to 15 inches single lamp type
- Lamp Voltage 680V
- Lamp Current 4mA
- Lamp Start Up Voltage 1700Vrms (Vin : 12V)



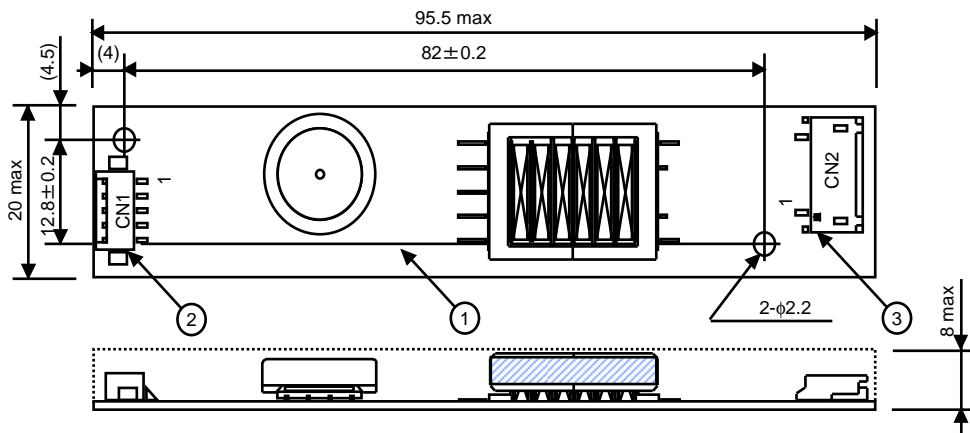
FEATURES :

- Current Feedback Circuit
- High Efficiency
- Low noise with voltage resonant circuit
- Regulated output current
- Extern PWM Dimming with min. 40%
- RoHS compliant (R)

TEMPERATURE & HUMDITY :

- Operating Temperature Range -10 ° C ~ +70° C
- Storage Temperature Range -30 ° C ~ +85° C
- Humidity 95 %RH max

DIMENSIONS : L x W x H 100 x 20 x 8 mm



Unit : mm
Weight : 14.5 (g) typ.

No.	Part Discription	Qty.	Note	Item
1	PWB	1	UL94V-0 t=1mm	
2	Connector CN1	1	53261-0510 (Molex)	
3	Connector CN2	1	SM02(8.0)B-BHS (JST)	

CN1 : 53261-0510 (Molex)

Pin	Symbol	Note
CN1-1	Vin	9.6 ~ 14.4 Vdc
CN1-2	GND	0 Vdc
CN1-3	Vrmt	(250 Hz PWM)
CN1-4	Vbr	0 ~3 Vdc
CN1-5	N.C.	

PS-L0612A-177

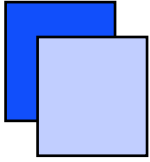
CN2 : SM02(8.0)B-BHS (JST)

Pin	Symbol	Note
CN2-1	Vhigh	680Vrms (2~4mArms)
CN2-2	N.C.	
CN2-3	Vlow	(2V)

Power Systems – The Power Solution

Web: www.Power-Systems.de
Email: Info@Power-Systems.de

Address: Hauptstraße 48 ; 74360 Ilsfeld-Auenstein / Germany
Tel. : + 49 / 70 62 / 67 59 - 6
Fax: + 49 / 70 62 / 67 59 - 800



DC-AC INVERTER UNIT

PS-L0612A-177(R) SERIES (5.0W SINGLE OUTPUT WITH DIMMING FUNCTION)

ELECTRICAL CHARACTERISTICS :

Parameters	Symbol	Conditions				Specifications			Unit	Note
		Vin (V)	Vbr (V)	Ta (°C)	RL (kΩ)	min.	typ.	max.		
Output Current	Iout	9.6 ~ 14.4	0	-10 ~ 60	90 ~ 110	3.4	4.0	4.6	mA _{rms}	Max. Brightness
		12	3	23±5	100	3.6	4.0	4.4		Min. Brightness
Input Current	Iin					-	0.4	0.5	Adc	
Frequency	FL	9.6 ~ 14.4	0 ~ 3	0 ~ 50	90 ~ 110	53	58	63	kHz	
Open Voltage	Vopen				∞	1600	1650	-	V _{rms}	
		12				1700	-	-		

APPLICATION (for example):

