



10/100 PC CARD LAN MAGNETICS SOLUTION With Various Tx Turns Ratio

- ① Half port and single port designs for maximum layout flexibility
- ② Low profile package for PC Card and Cardbus application
- ③ Compatible with TDK, QSI, and ICS transceivers
- ④ Hi-pot: 1500Vrms

ELECTRICAL SPECIFICATIONS AT 25°C - OPERATING TEMPERATURE RANGE 0°C TO +70°C

PART NUMBER	Turn Ratio		Ind (uH Min) 100K 8mADC	Insertion Loss (dB Max) 100K to 100MHz	Return Loss (dB Min)			Differential to CMR (dB Min)			Crosstalk (dB Min)			Package/ Schematic
	TX	RX			30 MHz	60 MHz	80 MHz	30 MHz	50 MHz	80 MHz	30 MHz	62 MHz	100 MHz	
PM-6201	1:1:1ct	2ct:1ct	350	-1.0	-20	-17	-10	-38	-38	-10	-38	-38	-35	1 / E
PM-6202	1ct:1ct	1ct:1ct	350	-1.0	-18	-15	-12	-30	-30	-30	-40	-40	-30	3 / F
PM-6203	1.41ct:1ct	1ct:1ct	350	-1.0	-18	-12	-10	-30	-30	-30	-40	-40	-35	1 / G
PM-6204	1.41ct:1ct	1ct:1ct	350	-1.1	-18	-13	-11	-30	-30	-30	-40	-40	-35	2 / F
PM-6205	1.41ct:1ct	1ct:1ct	350	-2.0	-18	-12	-10	-30	-30	-20	-40	-40	-35	1 / A
PM-6206	1.41ct:1ct	1ct:1ct	350	-2.0	-18	-12	-10	-30	-30	-20	-40	-40	-35	2 / A
PM-6207	1ct:1ct	1ct:1ct	350	-1.3	-18	-13	-11	-40	-35	-30	-40	-40	-35	1 / A
PM-6208	1ct:1ct	1ct:1ct	350	-1.3	-18	-13	-11	-40	-35	-30	-40	-40	-35	2 / A
PM-6209	1ct:1ct	1ct:1ct	350	-1.0	-20	-17	-10	-38	-38	-10	-38	-38	-35	1 / B
PM-6211	1ct:1ct		350	-1.1	-17	-12	-10	-30	-30	-30	----	----	----	3 / C
PM-6213	1.25ct:1ct		350	-1.1	-17	-12	-10	-30	-30	-30	----	----	----	3 / C
PM-6215	1ct:1ct	1ct:1ct	350	-1.3	-16	-12	-11	-15	-18	-20	-40	-40	-35	4 / D
PM-6217	1.25ct:1ct	1ct:1ct	350	-1.1	-17	-12	-10	-30	-30	-20	-40	-35	-30	4 / D
PM-6218	1.25ct:1ct	1ct:1ct	350	-1.1	-17	-12	-10	-30	-30	-20	-40	-35	-30	2 / B
PM-6219	1ct:1ct	1ct:1ct	350	-1.0	-18	-12	-11	-30	-30	-20	-40	-40	-35	4 / D
PM-6220	1ct:1ct	1ct:1ct	350	-1.0	-18	-12	-11	-30	-30	-20	-40	-40	-35	2 / B
PM-6221	1ct:1ct	1ct:1ct	350	-1.0	-18	-12	-10	-45	-35	-10	-35	-35	-35	1 / H
PM-6222	1ct:1ct	1ct:1ct	350	-1.5	-18	-11	-10	-40	-40	-40	-40	-35	-35	5 / I
PM-6223	1ct:1ct	1ct:1ct	350	-1.0	-18	-13	-11	-45	-35	-30	-40	-40	-35	1 / J
PM-6225	1ct:1ct	1ct:1ct	350	-1.0	-18	-13	-11	-45	-35	-30	-40	-40	-35	1 / K
PM-6227	1ct:1ct	1ct:1ct	350	-1.0	-18	-13	-11	-45	-35	-30	-40	-40	-35	1 / L
PM-6260	1.41ct:1ct	1ct:1ct	350	-1.0	-17	-12	-10	-30	-30	-20	-40	-35	-30	4 / D
PM-6262	1ct:1.41ct	1ct:1ct	350	-1.1	-18	-13	-11	-30	-30	-30	-40	-40	-30	4 / M
PM-6264	1ct:1ct	1ct:1ct	350	-1.0	-18	-12	-11	-30	-30	-30	-40	-40	-35	4 / D
PM-6266	1ct:1ct	1ct:1ct	350	-1.0	-18	-12	-11	-30	-30	-30	-40	-40	-35	4 / T
PM-6278	1ct:1ct	1ct:1ct	200	-0.9	-16	-12	-11	-40	-40	-40	-38	-38	-38	3 / N
PM-6281	1ct:1ct	1ct:1ct	170	-0.9	-16	-12	-11	-40	-40	-40	-38	-38	-38	3 / P
PM-6283	1ct:1ct	1ct:1ct	170	-0.9	-16	-12	-11	-40	-40	-40	-38	-38	-38	3 / R
PM-6284	1ct:1ct	1ct:1ct	350	-1.1	-18	-16	-10	-30	-30	-30	-38	-38	-38	3 / D
PM-6290	1ct:1ct	1ct:1ct	150	-2.0	-18	-14	-12	-30	-30	-30	-50	-45	-40	6 / S

Specifications subject to change without notice.

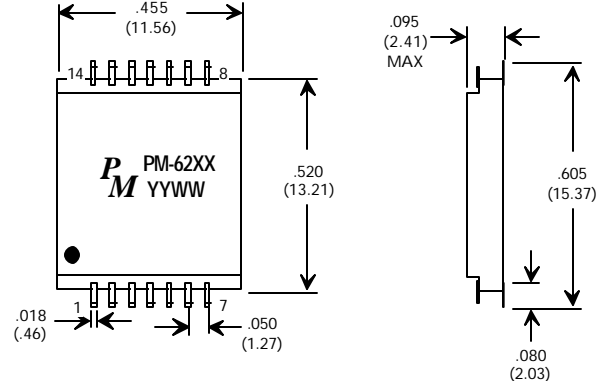
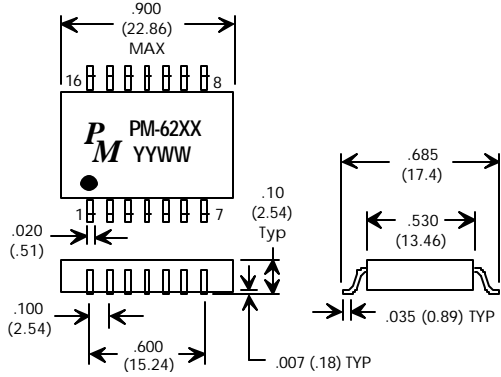
pm-62xx

10/100 PC CARD LAN MAGNETICS SOLUTION With Various Tx Turns Ratio

PACKAGE "1"

All Dimensions in inches (mm)
Tolerance: .xxx ±0.010

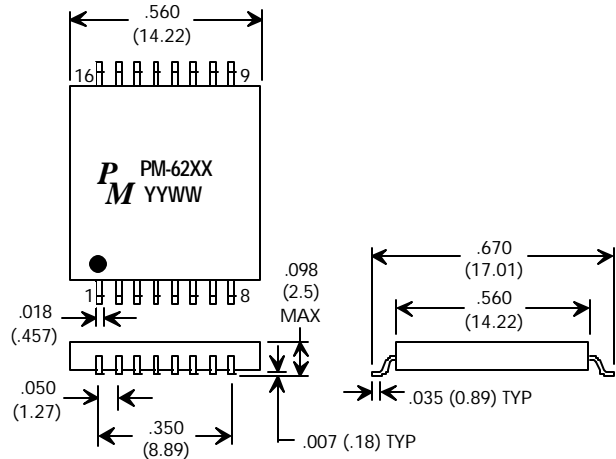
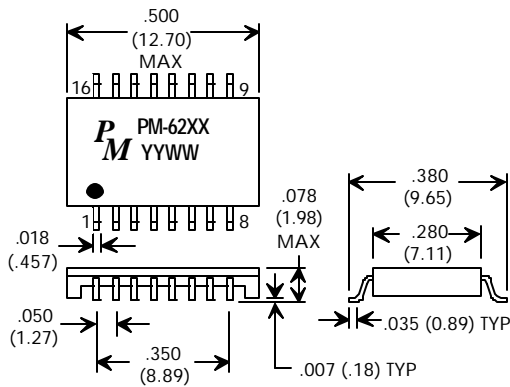
PACKAGE "2"



PACKAGE "3"

All Dimensions in inches (mm)
Tolerance: .xxx ±0.010

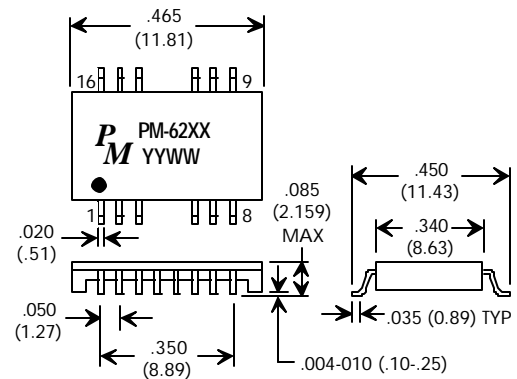
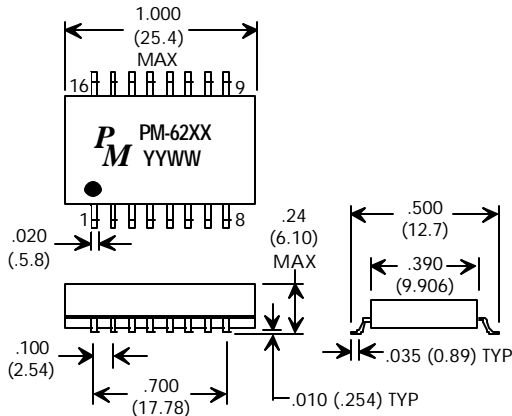
PACKAGE "4"



PACKAGE "5"

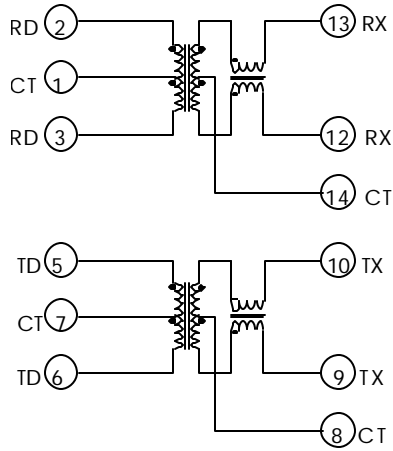
All Dimensions in inches (mm)
Tolerance: .xxx ±0.010

PACKAGE "6"

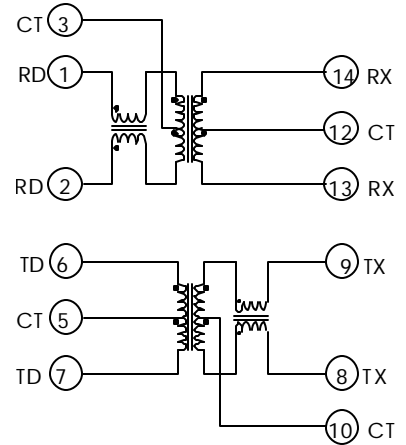


10/100 PC CARD LAN MAGNETICS SOLUTION With Various Tx Turns Ratio

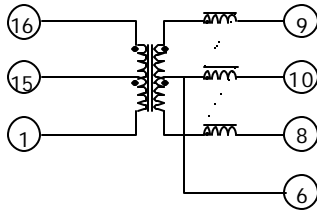
SCHEMATIC "A"



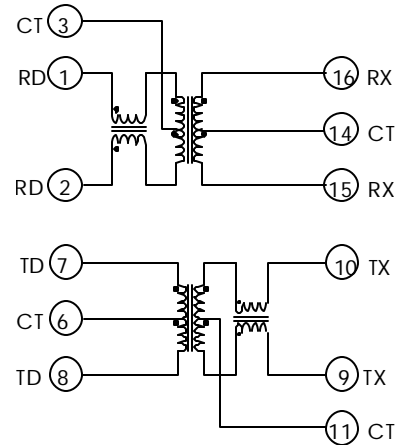
SCHEMATIC "B"



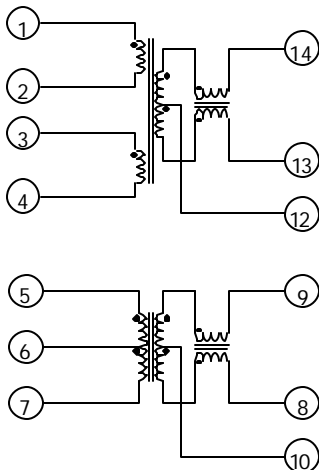
SCHEMATIC "C"



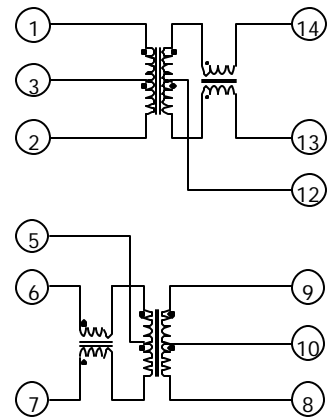
SCHEMATIC "D"



SCHEMATIC "E"



SCHEMATIC "F"

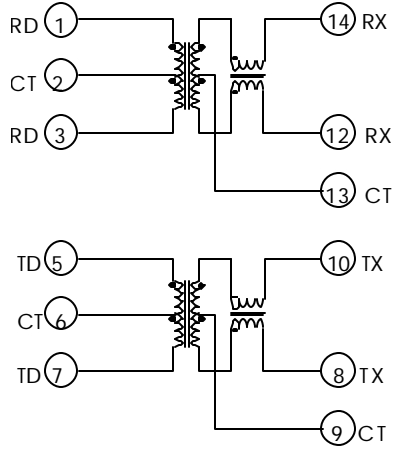


Specifications subject to change without notice.

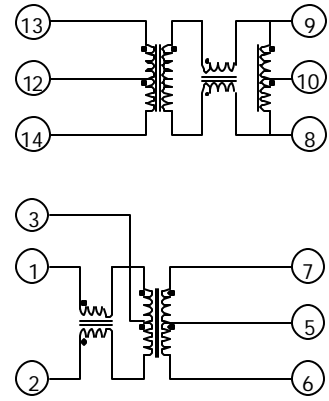
pm-62xx

10/100 PC CARD LAN MAGNETICS SOLUTION With Various Tx Turns Ratio

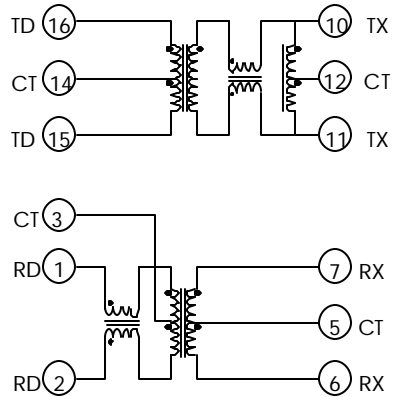
SCHEMATIC "G"



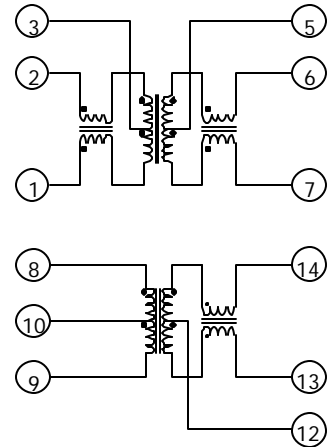
SCHEMATIC "H"



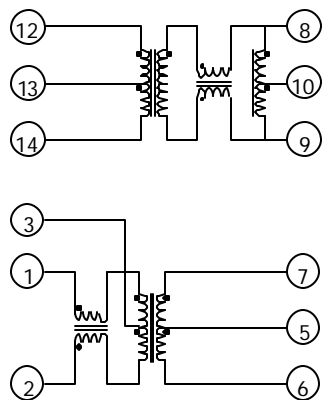
SCHEMATIC "I"



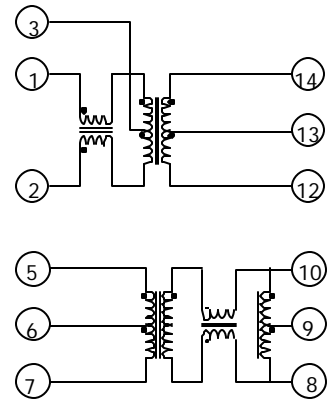
SCHEMATIC "J"



SCHEMATIC "K"

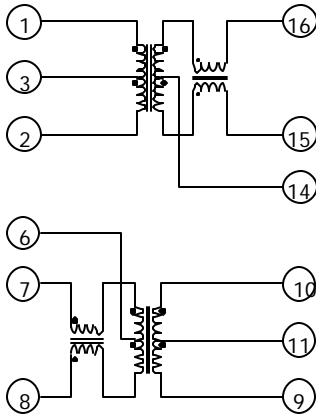


SCHEMATIC "L"

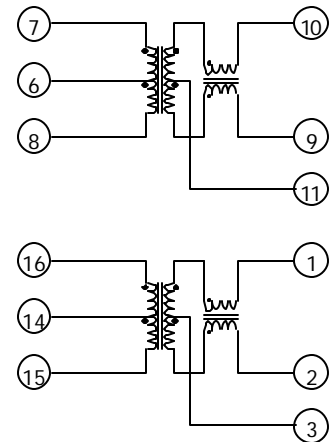


10/100 PC CARD LAN MAGNETICS SOLUTION With Various Tx Turns Ratio

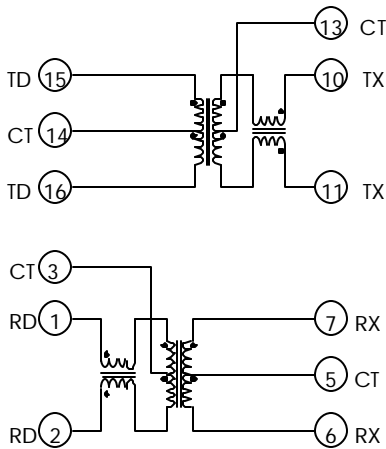
SCHEMATIC "M"



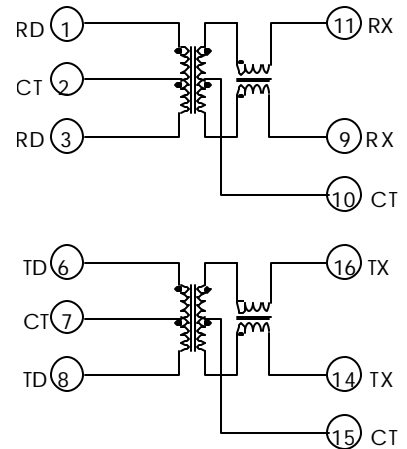
SCHEMATIC "N"



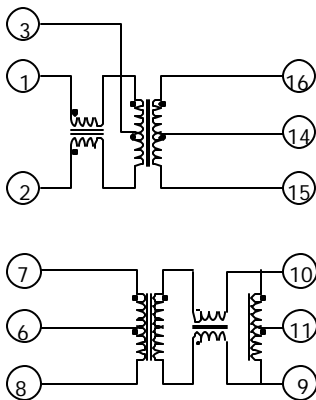
SCHEMATIC "P"



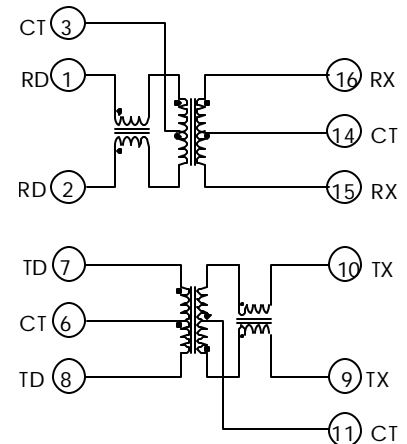
SCHEMATIC "R"



SCHEMATIC "S"



SCHEMATIC "T"



Specifications subject to change without notice.

pm-62xx



10/100 PC CARD LAN MAGMAGNETICS SOLUTION With Various Tx Turns Ratio

CROSS REFERENCE LISTING

<u>PREMIER PART#</u>	<u>X-REF NAME & PART#</u>
PM-6205	PULSE H0001
PM-6215	PULSE H0007
PM-6219	PULSE H0009
PM-6260	PULSE H0010
PM-6280	PULSE H0013