

# NLSX4014

## 4-Bit 100 Mb/s Configurable Dual-Supply Level Translator

The NLSX4014 is a 4-bit configurable dual-supply bidirectional level translator without a direction control pin. The I/O  $V_{CC-}$  and I/O  $V_{L-}$  ports are designed to track two different power supply rails,  $V_{CC}$  and  $V_L$  respectively. The  $V_{CC}$  supply rail is configurable from 1.3 V to 4.5 V while the  $V_L$  supply rail is configurable from 0.9 V to ( $V_{CC} - 0.4$ ) V. This allows lower voltage logic signals on the  $V_L$  side to be translated into higher voltage logic signals on the  $V_{CC}$  side, and vice-versa. Both I/O ports are auto-sensing; thus, no direction pin is required.

The Output Enable (EN) input, when Low, disables both I/O ports by putting them in 3-state. This significantly reduces the supply currents from both  $V_{CC}$  and  $V_L$ . The EN signal is designed to track  $V_L$ .

### Features

- Wide High-Side  $V_{CC}$  Operating Range: 1.3 V to 4.5 V  
Wide Low-Side  $V_L$  Operating Range: 0.9 V to ( $V_{CC} - 0.4$ ) V
- Power Supply Isolation
  - ◆ All Outputs are in the High Impedance State if Either  $V_L$  or  $V_{CC}$  is at Ground
- High-Speed with 100 Mb/s Guaranteed Data Rate for  $V_L > 1.6$  V
- Low Bit-to-Bit Skew
- Overvoltage Tolerant Enable and I/O Pins
- Non-preferential Powerup Sequencing
- Small packaging: 1.7 mm x 2.0 mm UQFN12
- These are Pb-Free Devices

### Typical Applications

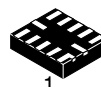
- Mobile Phones, PDAs, Other Portable Devices



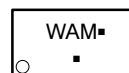
ON Semiconductor®

<http://onsemi.com>

### MARKING DIAGRAMS

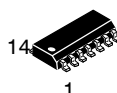


UQFN12  
MU SUFFIX  
CASE 523AE

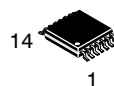
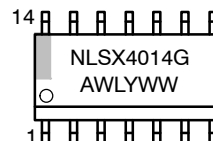


WA = Specific Device Code  
M = Date Code  
▪ = Pb-Free Package

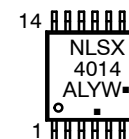
(Note: Microdot may be in either location)



SOIC-14  
D SUFFIX  
CASE 751A



TSSOP-14  
DT SUFFIX  
CASE 948G



A = Assembly Location  
L, WL = Wafer Lot  
Y, YY = Year  
W, WW = Work Week  
G or ▪ = Pb-Free Package

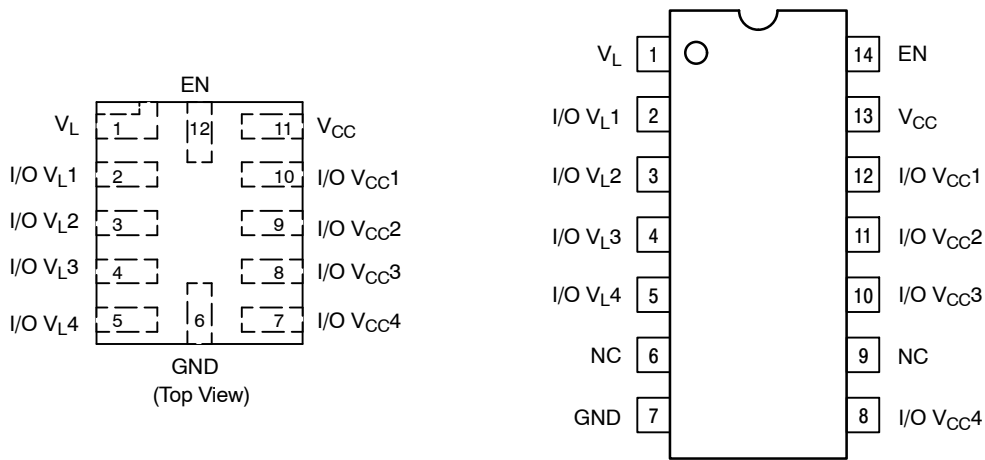
(Note: Microdot may be in either location)

### ORDERING INFORMATION

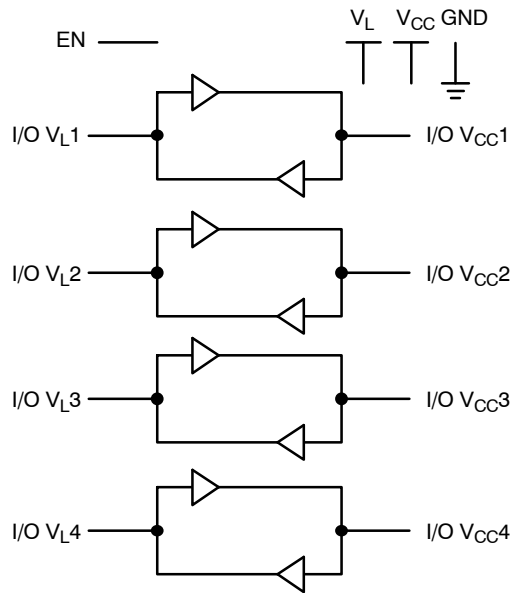
Device	Package	Shipping†
NLSX4014MUTAG	UQFN12 (Pb-Free)	3000/Tape & Reel
NLSX4014DR2G	SO-14 (Pb-Free)	2500/Tape & Reel
NLSX4014DTR2G	TSSOP14 (Pb-Free)	2500/Tape & Reel

† For information on tape and reel specifications, including part orientation and tape sizes, please refer to our Tape and Reel Packaging Specification Brochure, BRD8011/D.

# NLSX4014



**Figure 1. Pin Assignments**



**Figure 2. Logic Diagram**

## PIN ASSIGNMENT

Pins	Description
V <sub>CC</sub>	V <sub>CC</sub> Input Voltage
V <sub>L</sub>	V <sub>L</sub> Input Voltage
GND	Ground
EN	Output Enable
I/O V <sub>CCn</sub>	I/O Port, Referenced to V <sub>CC</sub>
I/O V <sub>Ln</sub>	I/O Port, Referenced to V <sub>L</sub>

## FUNCTION TABLE

EN	Operating Mode
L	Hi-Z
H	I/O Buses Connected

# NLSX4014

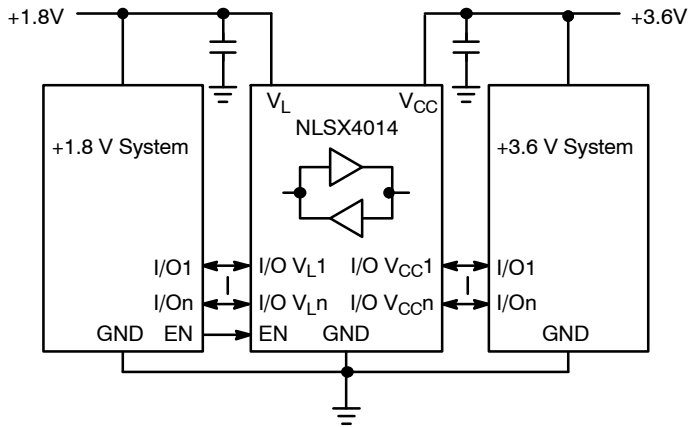


Figure 3. Typical Application Circuit

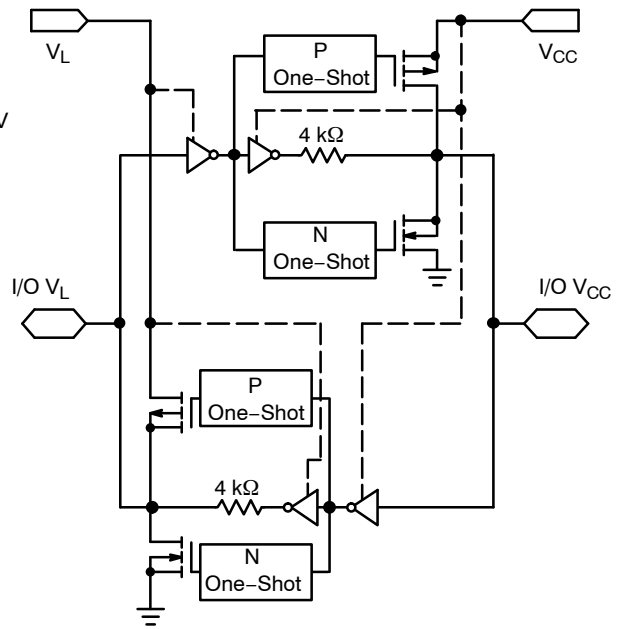


Figure 4. Simplified Functional Diagram (1 I/O Line)  
(EN = 1)

# NLSX4014

## MAXIMUM RATINGS

Symbol	Parameter	Value	Condition	Unit
$V_{CC}$	$V_{CC}$ Supply Voltage	-0.5 to +5.5		V
$V_L$	$V_L$ Supply Voltage	-0.5 to +5.5		V
I/O $V_{CC}$	$V_{CC}$ -Referenced DC Input/Output Voltage	-0.5 to ( $V_{CC} + 0.3$ )		V
I/O $V_L$	$V_L$ -Referenced DC Input/Output Voltage	-0.5 to ( $V_L + 0.3$ )		V
$V_{EN}$	Enable Control Pin DC Input Voltage	-0.5 to +5.5		V
$I_{IK}$	Input Diode Clamp Current	-50	$V_I < GND$	mA
$I_{OK}$	Output Diode Clamp Current	-50	$V_O < GND$	mA
$I_{CC}$	DC Supply Current Through $V_{CC}$	$\pm 100$		mA
$I_L$	DC Supply Current Through $V_L$	$\pm 100$		mA
$I_{GND}$	DC Ground Current Through Ground Pin	$\pm 100$		mA
$T_{STG}$	Storage Temperature	-65 to +150		$^{\circ}C$

Stresses exceeding Maximum Ratings may damage the device. Maximum Ratings are stress ratings only. Functional operation above the Recommended Operating Conditions is not implied. Extended exposure to stresses above the Recommended Operating Conditions may affect device reliability.

## RECOMMENDED OPERATING CONDITIONS

Symbol	Parameter	Min	Max	Unit
$V_{CC}$	$V_{CC}$ Supply Voltage	1.3	4.5	V
$V_L$	$V_L$ Supply Voltage	0.9	$V_{CC} - 0.4$	V
$V_{EN}$	Enable Control Pin Voltage	GND	4.5	V
$V_{IO}$	Bus Input/Output Voltage	I/O $V_{CC}$ I/O $V_L$	4.5 4.5	V
$T_A$	Operating Temperature Range	-40	+85	$^{\circ}C$
$\Delta I/\Delta V$	Input Transition Rise or Rate $V_I, V_{IO}$ from 30% to 70% of $V_{CC}$ ; $V_{CC} = 3.3 V \pm 0.3 V$	0	10	ns

# NLSX4014

## DC ELECTRICAL CHARACTERISTICS

Symbol	Parameter	Test Conditions (Note 1)	V <sub>CC</sub> (V) (Note 2)	V <sub>L</sub> (V) (Note 3)	-40°C to +85°C			Unit
					Min	Typ (Note 4)	Max	
V <sub>IHC</sub>	I/O V <sub>CC</sub> Input HIGH Voltage		1.3 to 4.5	0.9 to (V <sub>CC</sub> - 0.4)	0.8 * V <sub>CC</sub>	-	-	V
V <sub>ILC</sub>	I/O V <sub>CC</sub> Input LOW Voltage		1.3 to 4.5	0.9 to (V <sub>CC</sub> - 0.4)	-	-	0.2 * V <sub>CC</sub>	V
V <sub>IHL</sub>	I/O V <sub>L</sub> Input HIGH Voltage		1.3 to 4.5	0.9 to (V <sub>CC</sub> - 0.4)	0.8 * V <sub>L</sub>	-	-	V
V <sub>ILL</sub>	I/O V <sub>L</sub> Input LOW Voltage		1.3 to 4.5	0.9 to (V <sub>CC</sub> - 0.4)	-	-	0.2 * V <sub>L</sub>	V
V <sub>IH</sub>	Control Pin Input HIGH Voltage	T <sub>A</sub> = +25°C	1.3 to 4.5	0.9 to (V <sub>CC</sub> - 0.4)	0.8 * V <sub>L</sub>	-	-	V
V <sub>IL</sub>	Control Pin Input LOW Voltage	T <sub>A</sub> = +25°C	1.3 to 4.5	0.9 to (V <sub>CC</sub> - 0.4)	-	-	0.2 * V <sub>L</sub>	V
V <sub>OHC</sub>	I/O V <sub>CC</sub> Output HIGH Voltage	I/O V <sub>CC</sub> Source Current = 20 μA	1.3 to 4.5	0.9 to (V <sub>CC</sub> - 0.4)	0.8 * V <sub>CC</sub>	-	-	V
V <sub>OLC</sub>	I/O V <sub>CC</sub> Output LOW Voltage	I/O V <sub>CC</sub> Sink Current = 20 μA	1.3 to 4.5	0.9 to (V <sub>CC</sub> - 0.4)	-	-	0.2 * V <sub>CC</sub>	V
V <sub>OHL</sub>	I/O V <sub>L</sub> Output HIGH Voltage	I/O V <sub>L</sub> Source Current = 20 μA	1.3 to 4.5	0.9 to (V <sub>CC</sub> - 0.4)	0.8 * V <sub>L</sub>	-	-	V
V <sub>OLL</sub>	I/O V <sub>L</sub> Output LOW Voltage	I/O V <sub>L</sub> Sink Current = 20 μA	1.3 to 4.5	0.9 to (V <sub>CC</sub> - 0.4)	-	-	0.2 * V <sub>L</sub>	V

1. Normal test conditions are V<sub>EN</sub> = 0 V, C<sub>I0VCC</sub> = 15 pF and C<sub>I0VL</sub> = 15 pF, unless otherwise specified.
2. V<sub>CC</sub> is the supply voltage associated with the high voltage port, and V<sub>CC</sub> ranges from +1.3 V to 4.5 V under normal operating conditions.
3. V<sub>L</sub> is the supply voltage associated with the low voltage port. V<sub>L</sub> must be less than or equal to (V<sub>CC</sub> - 0.4) V during normal operation. However, during startup and shutdown conditions, V<sub>L</sub> can be greater than (V<sub>CC</sub> - 0.4) V.
4. Typical values are for V<sub>CC</sub> = +2.8 V, V<sub>L</sub> = +1.8 V and T<sub>A</sub> = +25°C. All units are production tested at T<sub>A</sub> = +25°C. Limits over the operating temperature range are guaranteed by design.

# NLSX4014

## POWER CONSUMPTION

Symbol	Parameter	Test Conditions (Note 5)	V <sub>CC</sub> (V) (Note 6)	V <sub>L</sub> (V) (Note 7)	-40°C to +85°C			Unit
					Min	Typ	Max	
I <sub>Q-VCC</sub>	Supply Current from V <sub>CC</sub>	EN = V <sub>L</sub> ; I/O V <sub>CCn</sub> = 0 V, I/O V <sub>Ln</sub> = 0 V, I/O V <sub>CCn</sub> = V <sub>CC</sub> or I/O V <sub>Ln</sub> = V <sub>L</sub> and I <sub>o</sub> = 0	1.3 to 3.6	0.9 to (V <sub>CC</sub> - 0.4)	-	-	1.0	μA
			0	4.1	-	-	2.0	
			4.5	0	-	-	2.0	
I <sub>Q-VL</sub>	Supply Current from V <sub>L</sub>	EN = V <sub>L</sub> ; I/O V <sub>CCn</sub> = 0 V, I/O V <sub>Ln</sub> = 0 V, I/O V <sub>CCn</sub> = V <sub>CC</sub> or I/O V <sub>Ln</sub> = V <sub>L</sub> and I <sub>o</sub> = 0	1.3 to 3.6	0.9 to (V <sub>CC</sub> - 0.4)	-	-	1.0	μA
				< (V <sub>CC</sub> - 0.2)				
			0	4.1	-	-	2.0	
		EN = V <sub>L</sub> ; I/O V <sub>CCn</sub> = 0 V, I/O V <sub>Ln</sub> = 0 V, I/O V <sub>CCn</sub> = V <sub>CC</sub> or I/O V <sub>Ln</sub> = (V <sub>CC</sub> - 0.2 V) and I <sub>o</sub> = 0	4.5	0				
I <sub>TS-VCC</sub>	V <sub>CC</sub> Tristate Output Mode Supply Current	EN = 0 V	1.3 to 3.6	0.9 to (V <sub>CC</sub> - 0.4)	-	-	1.0	μA
I <sub>TS-VL</sub>	V <sub>L</sub> Tristate Output Mode Supply Current	EN = 0 V	1.3 to 3.6	0.9 to (V <sub>CC</sub> - 0.4)	-	-	0.2	μA
		EN = 0 V		V <sub>CC</sub> - 0.2	-	-	2.0	
I <sub>OZ</sub>	I/O Tristate Output Mode Leakage Current	EN = 0 V	1.3 to 3.6	0.9 to (V <sub>CC</sub> - 0.4)	-	-	0.15	μA
		EN = 0 V		V <sub>CC</sub> - 0.2	-	-	2.0	
I <sub>EN</sub>	Output Enable Pin Input Current	-	1.3 to 3.6	0.9 to (V <sub>CC</sub> - 0.4)	-	-	1.0	μA
I <sub>OFF</sub>	V <sub>L</sub> Port	I/O V <sub>Ln</sub> = 0 to 4.1 V	0 to 4.5	0	-	-	2.0	μA
	V <sub>CC</sub> Port	I/O V <sub>CCn</sub> = 0 to 4.5 V	0	0 to 4.1	-	-	2.0	

5. Normal test conditions are V<sub>EN</sub> = 0 V, C<sub>I<sub>OVCC</sub></sub> = 15 pF and C<sub>I<sub>OVL</sub></sub> = 15 pF, unless otherwise specified.

6. V<sub>CC</sub> is the supply voltage associated with the high voltage port, and V<sub>CC</sub> ranges from +1.3 V to 3.6 V.

7. V<sub>L</sub> is the supply voltage associated with the low voltage port. V<sub>L</sub> must be less than or equal to (V<sub>CC</sub> - 0.4) V during normal operation. However, during startup and shutdown conditions, V<sub>L</sub> can be greater than (V<sub>CC</sub> - 0.4) V.

# NLSX4014

## TIMING CHARACTERISTICS

Symbol	Parameter	Test Conditions (Note 8)	V <sub>CC</sub> (V) (Note 9)	V <sub>L</sub> (V) (Note 10)	-40°C to +85°C			Unit
					Min	Typ (Note 11)	Max	
t <sub>R-VCC</sub>	I/O V <sub>CC</sub> Rise Time (Output = I/O_V <sub>CC</sub> )	C <sub>I<sub>O</sub>V<sub>CC</sub></sub> = 15 pF	1.3 to 4.5	0.9 to (V <sub>CC</sub> - 0.4)		0.7	2.4	ns
t <sub>F-VCC</sub>	I/O V <sub>CC</sub> Falltime (Output = I/O_V <sub>CC</sub> )	C <sub>I<sub>O</sub>V<sub>CC</sub></sub> = 15 pF	1.3 to 4.5	0.9 to (V <sub>CC</sub> - 0.4)		0.5	1.0	ns
t <sub>R-VL</sub>	I/O V <sub>L</sub> Risetime (Output = I/O_V <sub>L</sub> )	C <sub>I<sub>O</sub>V<sub>L</sub></sub> = 15 pF	1.3 to 4.5	0.9 to (V <sub>CC</sub> - 0.4)		1.0	3.8	ns
t <sub>F-VL</sub>	I/O V <sub>L</sub> Falltime (Output = I/O_V <sub>L</sub> )	C <sub>I<sub>O</sub>V<sub>L</sub></sub> = 15 pF	1.3 to 4.5	0.9 to (V <sub>CC</sub> - 0.4)		0.6	1.2	ns
Z <sub>O-VCC</sub>	I/O V <sub>CC</sub> One-Shot Output Impedance		1.3 to 4.5	0.9 to (V <sub>CC</sub> - 0.4)		30		Ω
Z <sub>O-VL</sub>	I/O V <sub>L</sub> One-Shot Output Impedance		1.3 to 4.5	0.9 to (V <sub>CC</sub> - 0.4)		30		Ω
t <sub>PD_VL-VCC</sub>	Propagation Delay (Output = I/O_V <sub>CC</sub> , t <sub>PHL</sub> , t <sub>PLH</sub> )	C <sub>I<sub>O</sub>V<sub>CC</sub></sub> = 15 pF	1.3 to 4.5	0.9 to (V <sub>CC</sub> - 0.4)		4.5	9.3	ns
t <sub>PD_VCC-VL</sub>	Propagation Delay (Output = I/O_V <sub>L</sub> , t <sub>PHL</sub> , t <sub>PLH</sub> )	C <sub>I<sub>O</sub>V<sub>L</sub></sub> = 15 pF	1.3 to 4.5	0.9 to (V <sub>CC</sub> - 0.4)		3.0	6.5	ns
t <sub>SK_VL-VCC</sub>	Channel-to-Channel Skew (Output = I/O_V <sub>CC</sub> )	C <sub>I<sub>O</sub>V<sub>CC</sub></sub> = 15 pF	1.3 to 4.5	0.9 to (V <sub>CC</sub> - 0.4)		0.2	0.3	nS
t <sub>SK_VCC-VL</sub>	Channel-to-Channel Skew (Output = I/O_V <sub>L</sub> )	C <sub>I<sub>O</sub>V<sub>CC</sub></sub> = 15 pF	1.3 to 4.5	0.9 to (V <sub>CC</sub> - 0.4)		0.2	0.3	nS
MDR	Maximum Data Rate	(Output = I/O_V <sub>CC</sub> , C <sub>I<sub>O</sub>V<sub>CC</sub></sub> = 15 pF) (Output = I/O_V <sub>L</sub> , C <sub>I<sub>O</sub>V<sub>L</sub></sub> = 15 pF)	1.3 to 4.5	0.9 to (V <sub>CC</sub> - 0.4)	110			Mb/s
			> 2.2	> 1.8	140			

8. Normal test conditions are V<sub>EN</sub> = 0 V, C<sub>I<sub>O</sub>V<sub>CC</sub></sub> = 15 pF and C<sub>I<sub>O</sub>V<sub>L</sub></sub> = 15 pF, unless otherwise specified.

9. V<sub>CC</sub> is the supply voltage associated with the high voltage port, and V<sub>CC</sub> ranges from +1.3 V to 4.5 V under normal operating conditions.

10. V<sub>L</sub> is the supply voltage associated with the low voltage port. V<sub>L</sub> must be less than or equal to (V<sub>CC</sub> - 0.4) V during normal operation. However, during startup and shutdown conditions, V<sub>L</sub> can be greater than (V<sub>CC</sub> - 0.4) V.

11. Typical values are for V<sub>CC</sub> = +2.8 V, V<sub>L</sub> = +1.8 V and T<sub>A</sub> = +25°C. All units are production tested at T<sub>A</sub> = +25°C. Limits over the operating temperature range are guaranteed by design.

# NLSX4014

## ENABLE / DISABLE TIME MEASUREMENTS

Symbol	Parameter	Test Conditions (Note 12)	V <sub>CC</sub> (V) (Note 13)	V <sub>L</sub> (V) (Note 14)	-40°C to +85°C			Unit
					Min	Typ (Note 15)	Max	
t <sub>EN-VCC</sub>	Turn-On Enable Time (Output = I/O_V <sub>CC</sub> , t <sub>pZH</sub> )	C <sub>I<sub>O</sub>V<sub>CC</sub></sub> = 15 pF	1.3 to 4.5	0.9 to (V <sub>CC</sub> - 0.4)		130	180	ns
	Turn-On Enable Time (Output = I/O_V <sub>CC</sub> , t <sub>pZL</sub> )	C <sub>I<sub>O</sub>V<sub>L</sub></sub> = 15 pF	1.3 to 4.5	0.9 to (V <sub>CC</sub> - 0.4)		100	150	ns
t <sub>EN-VL</sub>	Turn-On Enable Time (Output = I/O_V <sub>L</sub> , t <sub>pZH</sub> )	C <sub>I<sub>O</sub>V<sub>CC</sub></sub> = 15 pF	1.3 to 4.5	0.9 to (V <sub>CC</sub> - 0.4)		95	185	ns
	Turn-On Enable Time (Output = I/O_V <sub>L</sub> , t <sub>pZL</sub> )	C <sub>I<sub>O</sub>V<sub>L</sub></sub> = 15 pF	1.3 to 4.5	0.9 to (V <sub>CC</sub> - 0.4)		70	110	ns
t <sub>DIS-VCC</sub>	Turn-Off Disable Time (Output = I/O_V <sub>CC</sub> , t <sub>pHZ</sub> )	C <sub>I<sub>O</sub>V<sub>CC</sub></sub> = 15 pF	1.3 to 4.5	0.9 to (V <sub>CC</sub> - 0.4)		175	250	ns
	Propagation Delay (Output = I/O_V <sub>CC</sub> , t <sub>pLZ</sub> )	C <sub>I<sub>O</sub>V<sub>L</sub></sub> = 15 pF	1.3 to 4.5	0.9 to (V <sub>CC</sub> - 0.4)		150	190	ns
t <sub>DIS-VL</sub>	Turn-Off Disable Time (Output = I/O_V <sub>L</sub> , t <sub>pHZ</sub> )	C <sub>I<sub>O</sub>V<sub>CC</sub></sub> = 15 pF	1.3 to 4.5	0.9 to (V <sub>CC</sub> - 0.4)		180	250	ns
	Propagation Delay (Output = I/O_V <sub>L</sub> , t <sub>pLZ</sub> )	C <sub>I<sub>O</sub>V<sub>L</sub></sub> = 15 pF	1.3 to 4.5	0.9 to (V <sub>CC</sub> - 0.4)		160	220	ns

12. Normal test conditions are V<sub>EN</sub> = 0 V, C<sub>I<sub>O</sub>V<sub>CC</sub></sub> = 15 pF and C<sub>I<sub>O</sub>V<sub>L</sub></sub> = 15 pF, unless otherwise specified.

13. V<sub>CC</sub> is the supply voltage associated with the high voltage port, and V<sub>CC</sub> ranges from +1.3 V to 4.5 V under normal operating conditions.

14. V<sub>L</sub> is the supply voltage associated with the low voltage port. V<sub>L</sub> must be less than or equal to (V<sub>CC</sub> - 0.4) V during normal operation. However, during startup and shutdown conditions, V<sub>L</sub> can be greater than (V<sub>CC</sub> - 0.4) V.

15. Typical values are for V<sub>CC</sub> = +2.8 V, V<sub>L</sub> = +1.8 V and T<sub>A</sub> = +25 °C. All units are production tested at T<sub>A</sub> = +25 °C. Limits over the operating temperature range are guaranteed by design.

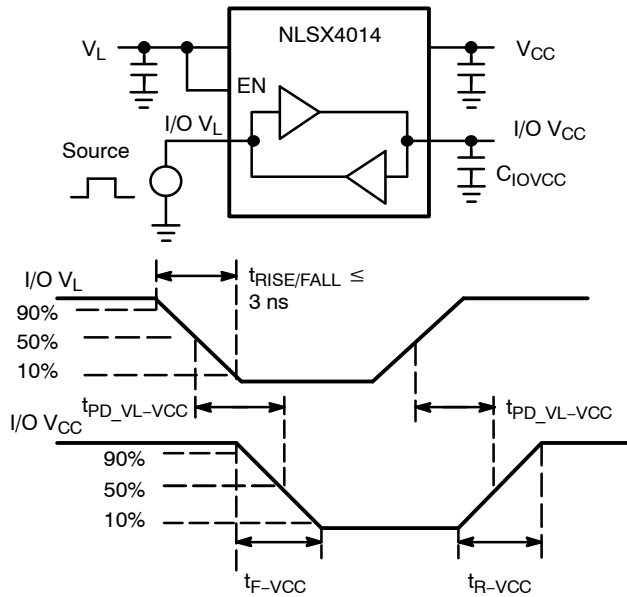


Figure 5. Driving I/O V<sub>L</sub> Test Circuit and Timing

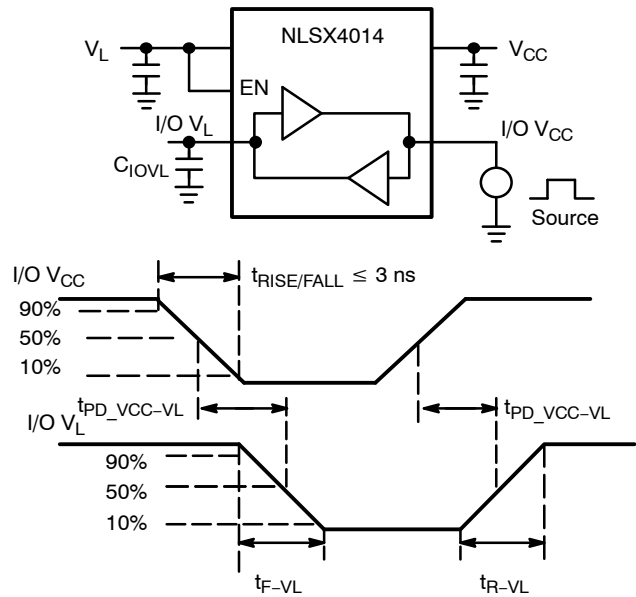
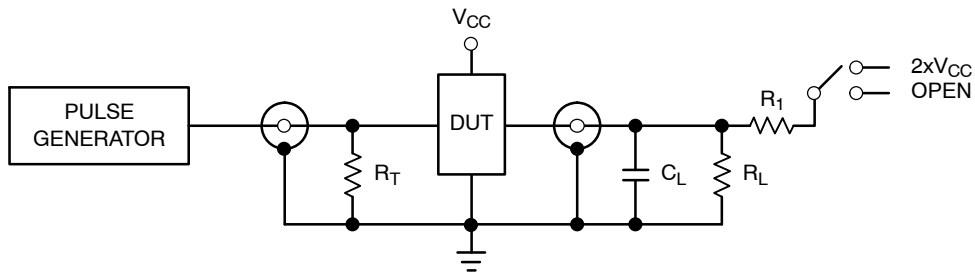


Figure 6. Driving I/O V<sub>CC</sub> Test Circuit and Timing



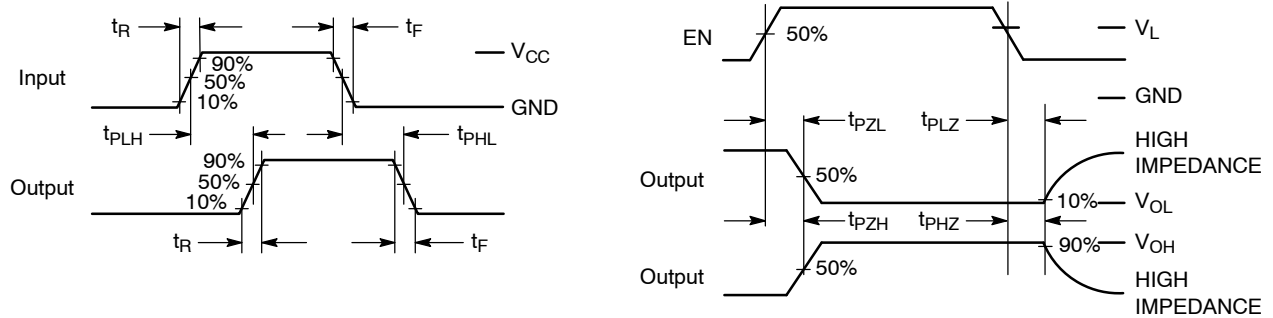
# NLSX4014



Test	Switch
$t_{PZH}$ , $t_{PHZ}$	Open
$t_{PZL}$ , $t_{PLZ}$	$2 \times V_{CC}$

$C_L = 15 \text{ pF}$  or equivalent (Includes jig and probe capacitance)  
 $R_L = R_1 = 50 \text{ k}\Omega$  or equivalent  
 $R_T = Z_{OUT}$  of pulse generator (typically  $50 \Omega$ )

**Figure 7. Test Circuit for Enable/Disable Time Measurement**



**Figure 8. Timing Definitions for Propagation Delays and Enable/Disable Measurement**

## IMPORTANT APPLICATIONS INFORMATION

### Level Translator Architecture

The NLSX4014 auto sense translator provides bi-directional voltage level shifting to transfer data in multiple supply voltage systems. This device has two supply voltages,  $V_L$  and  $V_{CC}$ , which set the logic levels on the input and output sides of the translator. When used to transfer data from the  $V_L$  to the  $V_{CC}$  ports, input signals referenced to the  $V_L$  supply are translated to output signals with a logic level matched to  $V_{CC}$ . In a similar manner, the  $V_{CC}$  to  $V_L$  translation shifts input signals with a logic level compatible to  $V_{CC}$  to an output signal matched to  $V_L$ .

The NLSX4014 consists of four bi-directional channels that independently determine the direction of the data flow without requiring a directional pin. The one-shot circuits are used to detect the rising or falling input signals. In addition, the one shots decrease the rise and fall time of the output signal for high-to-low and low-to-high transitions.

### Input Driver Requirements

For proper operation, the input driver to the auto sense translator should be capable of driving 2.0 mA of peak output current.

### Output Load Requirements

The NLSX4014 is designed to drive CMOS inputs. Resistive pullup or pulldown loads of less than 50 k $\Omega$  should not be used with this device. The NLSX3373 or NLSX3378 open-drain auto sense translators are alternate translator options for an application such as the I<sup>2</sup>C bus that requires pullup resistors.

### Enable Input (EN)

The NLSX4014 has an Enable pin (EN) that provides tri-state operation at the I/O pins. Driving the Enable pin to a low logic level minimizes the power consumption of the device and drives the I/O  $V_{CC}$  and I/O  $V_L$  pins to a high impedance state. Normal translation operation occurs when the EN pin is equal to a logic high signal. The EN pin is referenced to the  $V_L$  supply and has Over-Voltage Tolerant (OVT) protection.

### Uni-Directional versus Bi-Directional Translation

The NLSX4014 can function as a non-inverting uni-directional translator. One advantage of using the translator as a uni-directional device is that each I/O pin can be configured as either an input or output. The configurable input or output feature is especially useful in applications such as SPI that use multiple uni-directional I/O lines to send data to and from a device. The flexible I/O port of the auto sense translator simplifies the trace connections on the PCB.

### Power Supply Guidelines

It is recommended that the  $V_L$  supply should be less than or equal to the value of the  $V_{CC}$  minus 0.4 V. The sequencing of the power supplies will not damage the device during the power up operation; however, the current consumption of the device will increase if  $V_L$  exceeds  $V_{CC}$  minus 0.4 V. In addition, the I/O  $V_{CC}$  and I/O  $V_L$  pins are in the high impedance state if either supply voltage is equal to 0 V.

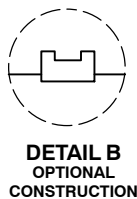
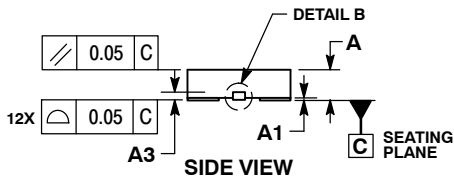
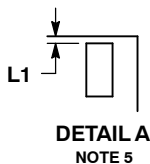
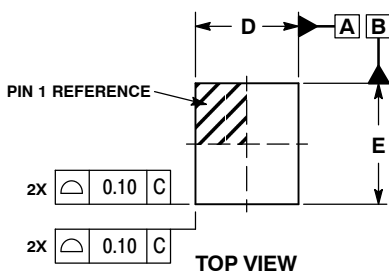
For optimal performance, 0.01 to 0.1  $\mu$ F decoupling capacitors should be used on the  $V_L$  and  $V_{CC}$  power supply pins. Ceramic capacitors are a good design choice to filter and bypass any noise signals on the power supply voltage lines to the ground plane of the PCB. The noise immunity will be maximized by placing the capacitors as close as possible to the supply and ground pins, along with minimizing the PCB connection traces.

The NLSX4014 provides power supply isolation if either supply voltage  $V_L$  or  $V_{CC}$  is equal to 0 V. The isolation occurs because the I/O pins are in the high impedance state. It is recommended that pulldown resistors should be used if the  $V_L$  or  $V_{CC}$  are floated or in a high impedance state. A pulldown resistor connected from the supply voltage to ground ensures that the translator's supply voltage is equal to 0 V.

# NLSX4014

## PACKAGE DIMENSIONS

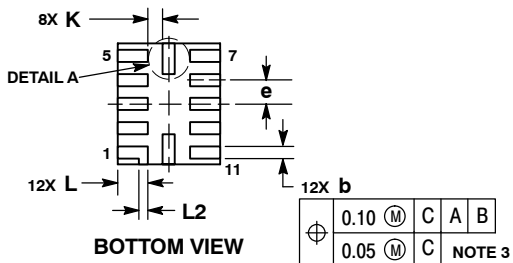
UQFN12 1.7x2.0, 0.4P  
CASE 523AE-01  
ISSUE A



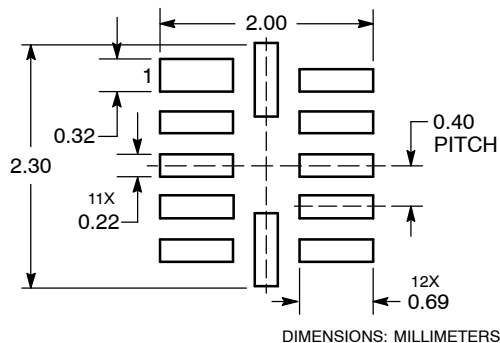
**NOTES:**

1. DIMENSIONING AND TOLERANCING PER ASME Y14.5M, 1994.
2. CONTROLLING DIMENSION: MILLIMETERS
3. DIMENSION b APPLIES TO PLATED TERMINAL AND IS MEASURED BETWEEN 0.15 AND 0.30 MM FROM TERMINAL TIP.
4. MOLD FLASH ALLOWED ON TERMINALS ALONG EDGE OF PACKAGE. FLASH 0.03 MAX ON BOTTOM SURFACE OF TERMINALS.
5. DETAIL A SHOWS OPTIONAL CONSTRUCTION FOR TERMINALS.

DIM	MILLIMETERS	
	MIN	MAX
A	0.45	0.55
A1	0.00	0.05
A3	0.127 REF	
b	0.15	0.25
D	1.70 BSC	
E	2.00 BSC	
e	0.40 BSC	
K	0.20	----
L	0.45	0.55
L1	0.00	0.03
L2	0.15 REF	



**MOUNTING FOOTPRINT  
SOLDERMASK DEFINED**

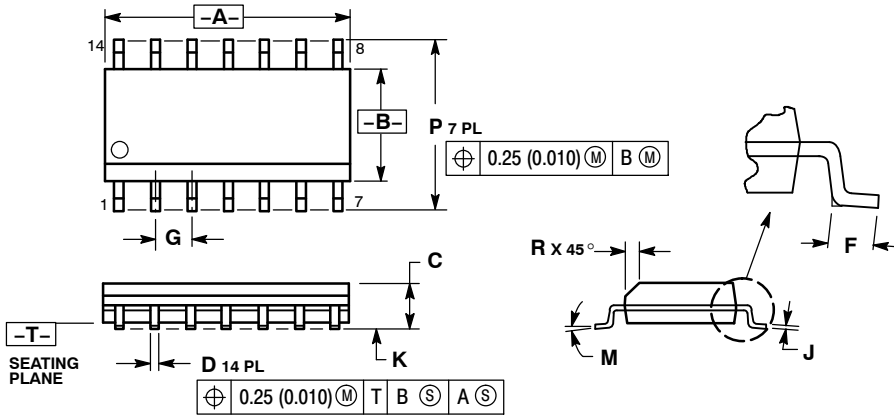


\*For additional information on our Pb-Free strategy and soldering details, please download the ON Semiconductor Soldering and Mounting Techniques Reference Manual, SOLDERRM/D.

# NLSX4014

## PACKAGE DIMENSIONS

SOIC-14  
D SUFFIX  
CASE 751A-03  
ISSUE J

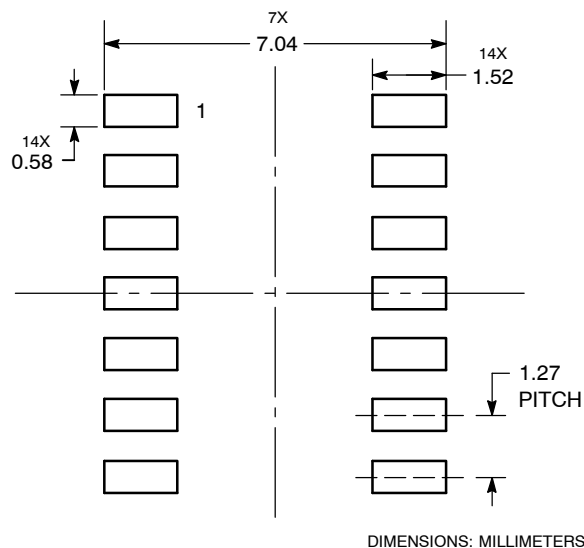


NOTES:

1. DIMENSIONING AND TOLERANCING PER ANSI Y14.5M, 1982.
2. CONTROLLING DIMENSION: MILLIMETER.
3. DIMENSIONS A AND B DO NOT INCLUDE MOLD PROTRUSION.
4. MAXIMUM MOLD PROTRUSION 0.15 (0.006) PER SIDE.
5. DIMENSION D DOES NOT INCLUDE DAMBAR PROTRUSION. ALLOWABLE DAMBAR PROTRUSION SHALL BE 0.127 (0.005) TOTAL IN EXCESS OF THE D DIMENSION AT MAXIMUM MATERIAL CONDITION.

DIM	MILLIMETERS		INCHES	
	MIN	MAX	MIN	MAX
A	8.55	8.75	0.337	0.344
B	3.80	4.00	0.150	0.157
C	1.35	1.75	0.054	0.068
D	0.35	0.49	0.014	0.019
F	0.40	1.25	0.016	0.049
G	1.27 BSC		0.050 BSC	
J	0.19	0.25	0.008	0.009
K	0.10	0.25	0.004	0.009
M	0°	7°	0°	7°
P	5.80	6.20	0.228	0.244
R	0.25	0.50	0.010	0.019

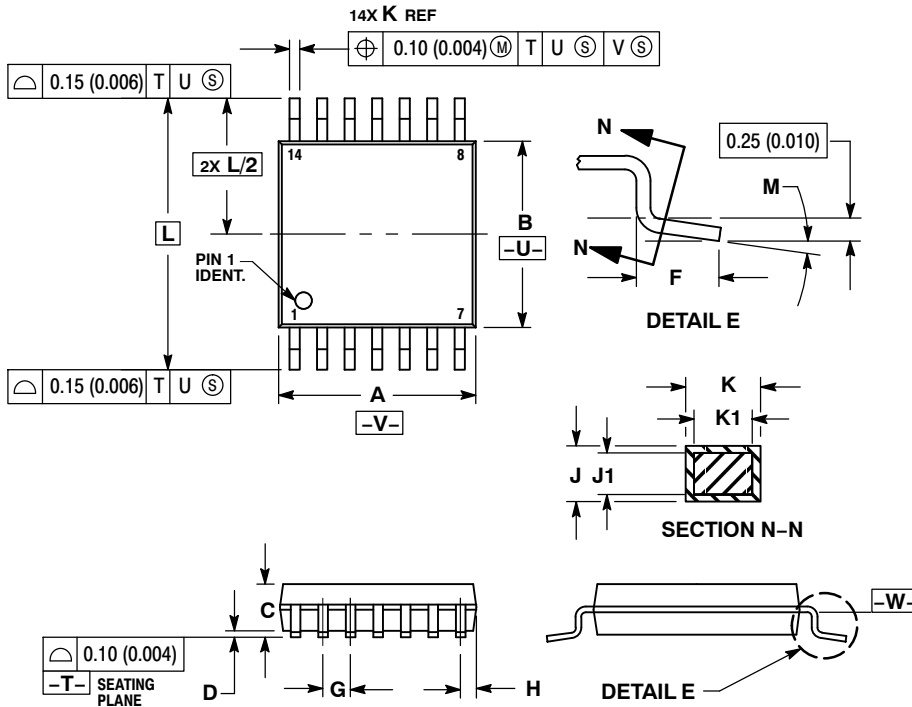
### SOLDERING FOOTPRINT



# NLSX4014

## PACKAGE DIMENSIONS

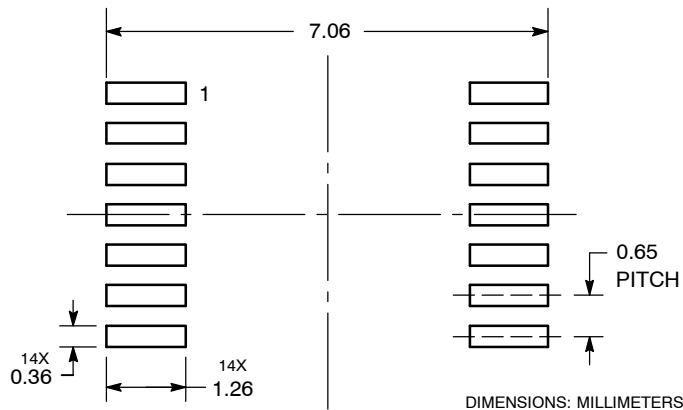
TSSOP-14  
DT SUFFIX  
CASE 948G-01  
ISSUE B



### NOTES:

1. DIMENSIONING AND TOLERANCING PER ANSI Y14.5M, 1982.
2. CONTROLLING DIMENSION: MILLIMETER.
3. DIMENSION A DOES NOT INCLUDE MOLD FLASH, PROTRUSIONS OR GATE BURRS. MOLD FLASH OR GATE BURRS SHALL NOT EXCEED 0.15 (0.006) PER SIDE.
4. DIMENSION B DOES NOT INCLUDE INTERLEAD FLASH OR PROTRUSION. INTERLEAD FLASH OR PROTRUSION SHALL NOT EXCEED 0.25 (0.010) PER SIDE.
5. DIMENSION K DOES NOT INCLUDE DAMBAR PROTRUSION. ALLOWABLE DAMBAR PROTRUSION SHALL BE 0.08 (0.003) TOTAL IN EXCESS OF THE K DIMENSION AT MAXIMUM MATERIAL CONDITION.
6. TERMINAL NUMBERS ARE SHOWN FOR REFERENCE ONLY.
7. DIMENSION A AND B ARE TO BE DETERMINED AT DATUM PLANE -W-.

### SOLDERING FOOTPRINT



**ON Semiconductor** and **ON** are registered trademarks of Semiconductor Components Industries, LLC (SCILLC). SCILLC reserves the right to make changes without further notice to any products herein. SCILLC makes no warranty, representation or guarantee regarding the suitability of its products for any particular purpose, nor does SCILLC assume any liability arising out of the application or use of any product or circuit, and specifically disclaims any and all liability, including without limitation special, consequential or incidental damages. "Typical" parameters which may be provided in SCILLC data sheets and/or specifications can and do vary in different applications and actual performance may vary over time. All operating parameters, including "Typicals" must be validated for each customer application by customer's technical experts. SCILLC does not convey any license under its patent rights nor the rights of others. SCILLC products are not designed, intended, or authorized for use as components in systems intended for surgical implant into the body, or other applications intended to support or sustain life, or for any other application in which the failure of the SCILLC product could create a situation where personal injury or death may occur. Should Buyer purchase or use SCILLC products for any such unintended or unauthorized application, Buyer shall indemnify and hold SCILLC and its officers, employees, subsidiaries, affiliates, and distributors harmless against all claims, costs, damages, and expenses, and reasonable attorney fees arising out of, directly or indirectly, any claim of personal injury or death associated with such unintended or unauthorized use, even if such claim alleges that SCILLC was negligent regarding the design or manufacture of the part. SCILLC is an Equal Opportunity/Affirmative Action Employer. This literature is subject to all applicable copyright laws and is not for resale in any manner.

### PUBLICATION ORDERING INFORMATION

**LITERATURE FULFILLMENT:**  
Literature Distribution Center for ON Semiconductor  
P.O. Box 5163, Denver, Colorado 80217 USA  
**Phone:** 303-675-2175 or 800-344-3860 Toll Free USA/Canada  
**Fax:** 303-675-2176 or 800-344-3867 Toll Free USA/Canada  
**Email:** orderlit@onsemi.com

**N. American Technical Support:** 800-282-9855 Toll Free  
USA/Canada  
**Europe, Middle East and Africa Technical Support:**  
Phone: 421 33 790 2910  
**Japan Customer Focus Center**  
Phone: 81-3-5773-3850

**ON Semiconductor Website:** [www.onsemi.com](http://www.onsemi.com)  
**Order Literature:** <http://www.onsemi.com/orderlit>

For additional information, please contact your local Sales Representative