

### LCD Panel EMI Reduction IC

#### Features

- Provides up to 15dB of EMI suppression
- FCC approved method of EMI attenuation
- Generates a low EMI spread spectrum clock of the input frequency
- 30MHz to 100MHz input frequency range
- Optimized for 32.5MHz, 54MHz, 65MHz, 81MHz, pixel clock frequencies
- Internal loop filter minimizes external components and board space
- 8 selectable spread ranges, up to +/- 2.0%
- SSON# control pin for spread spectrum enable and disable options
- Low cycle-to-cycle jitter
- 3.3V operating voltage
- Ultra low power CMOS design
- Supports most mobile graphic accelerator and LCD timing controller specifications
- Available in 8 pin SOIC and TSSOP Packages.

reducing the number of circuit board layers and shielding that are traditionally required to pass EMI regulations.

The P2040B uses the most efficient and optimized modulation profile approved by the FCC and is implemented in a proprietary all digital method.

The P2040B modulates the output of a single PLL in order to “spread” the bandwidth of a synthesized clock and, more importantly, decreases the peak amplitudes of its harmonics.

This results in significantly lower system EMI compared to the typical narrow band signal produced by oscillators and most frequency generators. Lowering EMI by increasing a signal’s bandwidth is called “spread spectrum clock generation”.

#### Applications

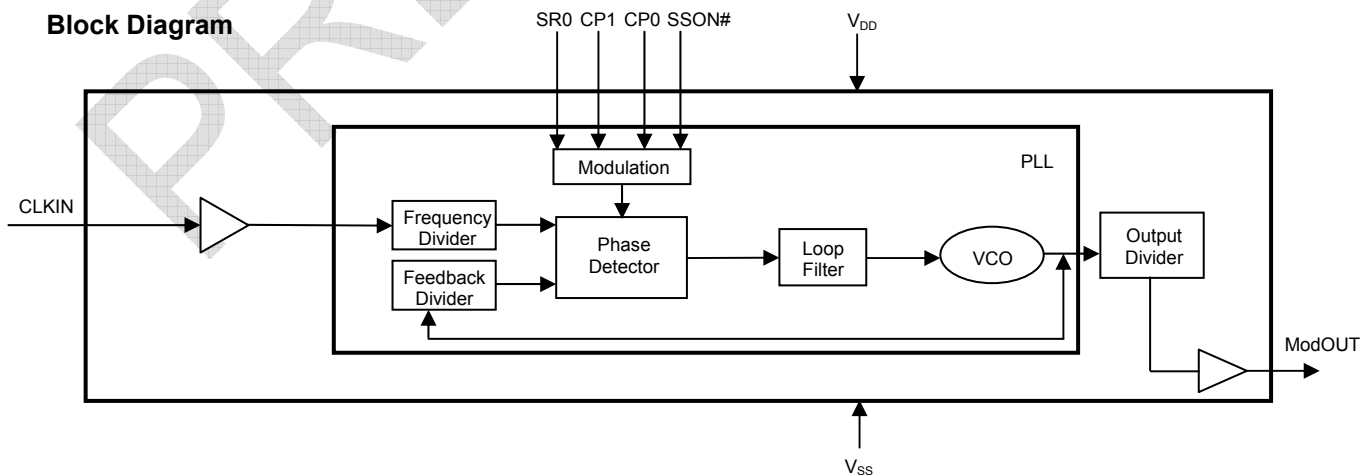
The P2040B is targeted towards digital flat panel applications for Notebook PCs, Palm-size PCs, Office Automation Equipments and LCD Monitors.

#### Product Description

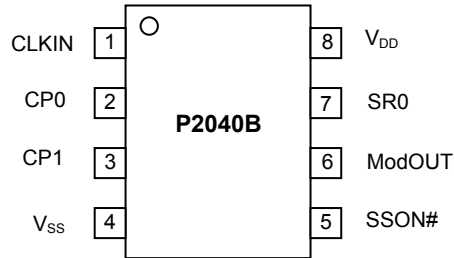
The P2040B is a selectable spread spectrum frequency modulator designed specifically for digital flat panel applications. The P2040B reduces electromagnetic interference (EMI) at the clock source which provides system wide reduction of EMI of all clock dependent signals.

The P2040B allows significant system cost savings by

#### Block Diagram



**Pin Configuration**



**Deviations and Modulation Rate Table**

CP0	CP1	SR0	Spreading Range (+/- %)				Modulation Rate
			32.5MHz	54MHz	65MHz	81MHz	
0	0	0	0.56	1.05	1.00	0.98	(Fin/40) * 62.49KHz
0	0	1	1.94	1.68	1.56	1.48	(Fin/40) * 62.49KHz
0	1	0	1.36	1.05	1.00	0.92	(Fin/40) * 62.49KHz
0	1	1	1.92	1.68	1.56	1.48	(Fin/40) * 62.49KHz
1	0	0	1.24	0.81	0.66	0.40	(Fin/40) * 62.49KHz
1	0	1	1.91	1.29	1.02	0.74	(Fin/40) * 62.49KHz
1	1	0	0.91	0.45	0.34	0.05	(Fin/40) * 62.49KHz
1	1	1	1.47	0.71	0.54	0.36	(Fin/40) * 62.49KHz

**Pin Description**

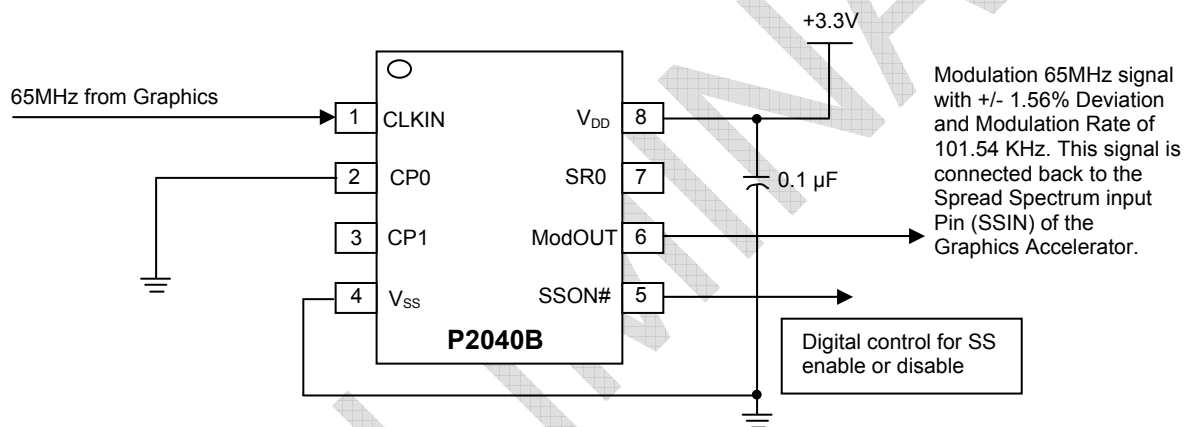
Pin#	Pin Name	Type	Description
1	CLKIN	I	External reference frequency input. Connect to externally generated reference signal.
2	CP0	I	Digital logic input used to select charge pump current (see Table 1). This pin has a 100K Ohm internal pull-up resistor.
3	CP1	I	Digital logic input used to select charge pump current (see Table 1). This pin has a 100K Ohm internal pull-up resistor.
4	V <sub>SS</sub>	P	Ground Connection. Connect to system ground.
5	SSON#	I	Digital logic input used to enable Spread Spectrum function (Active LOW). Spread Spectrum function enable when LOW. This pin has a 100K Ohm internal pull-low resistor.
6	ModOUT	O	Spectrum Clock output
7	SR0	I	Digital logic input used to select Spreading Range (see Table 1) This pin has a 100K Ohm internal pull-up resistor.
8	V <sub>DD</sub>	P	Connect to +3.3V

### Spread Spectrum Selection

Table 1 illustrates the possible spread spectrum options. The optimal setting should minimize system EMI to the fullest without affecting system performance. The spreading is described as a percentage deviation of the center frequency (Note: the center frequency is the frequency of the external reference input on CLKIN, Pin 1).

**Example:** P2040B is designed for high resolution flat panel applications and is able to support panel frequencies from 30MHz to 100MHz. For a 65MHz pixel clock frequency, a spreading selection of CP0 = 0,CP1=1 and SR0=1 gives a percentage deviation of +/-1.56% (see Table 1). This results in frequency on ModOUT being swept from 64.5MHz to 65.5MHz. This particular example given here is a common EMI reduction method for notebook LCD panel and has already been implemented by most of the leading OEM and mobile graphic accelerator manufacturers.

### Application Schematic for Mobile LCD Graphics Controllers



### Absolute Maximum Ratings

Symbol	Parameter	Rating	Unit
V <sub>DD</sub> , V <sub>IN</sub>	Voltage on any pin with respect to Ground	-0.5 to +4.6	V
T <sub>STG</sub>	Storage temperature	-65 to +125	°C
T <sub>A</sub>	Operating temperature	-40 to +85	°C
T <sub>s</sub>	Max. Soldering Temperature (10 sec)	260	°C
T <sub>J</sub>	Junction Temperature	150	°C
T <sub>DV</sub>	Static Discharge Voltage (As per JEDEC STD22- A114-B)	2	KV

Note: These are stress ratings only and are not implied for functional use. Exposure to absolute maximum ratings for prolonged periods of time may affect device reliability.

### DC Electrical Characteristics

Symbol	Parameter	Min	Typ	Max	Unit
$V_{IL}$	Input Low voltage	$V_{SS} - 0.3$	-	0.8	V
$V_{IH}$	Input High voltage	2.0	-	$V_{DD} + 0.3$	V
$I_{IL}$	Input Low current (100K $\Omega$ input pull-up resistor on inputs SR0, CP1 and CP0)	-	-	-35	$\mu$ A
$I_{IH}$	Input High current (100K $\Omega$ input pull-low resistor on input SSON#)	-	-	35	$\mu$ A
$V_{OL}$	Output Low current	$V_{DD} = 3.3V, I_{OL} = 20mA$		0.4	V
$V_{OH}$	Output High current	$V_{DD} = 3.3V, I_{OH} = 20mA$		-	V
$I_{DD}$	Static Supply Current	-	0.6	-	mA
$I_{CC}$	Dynamic Supply Current (3.3V and 15pF loading)	9	16	22	mA
$V_{DD}$	Operating Voltage	3.0	3.3	3.6	V
$t_{ON}$	Power up time (first locked clock cycle after power up)	-	0.18	-	mS
$Z_{OUT}$	Clock Output impedance	-	50	-	$\Omega$

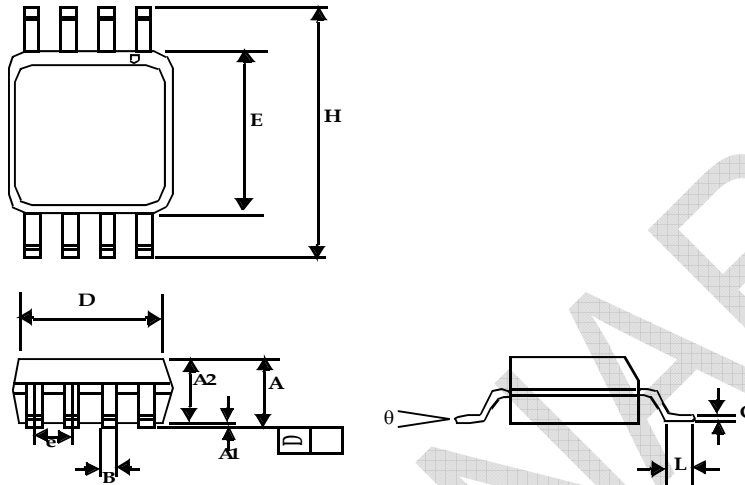
### AC Electrical Characteristics

Symbol	Parameter	Min	Typ	Max	Unit
$f_{IN}$	Input Frequency	30	-	100	MHz
$f_{OUT}$	Output Frequency	30	-	100	MHz
$t_{LH}^1$	Output Rise time	Measured at 0.8V to 2.0V		1.1	nS
$t_{HL}^1$	Output Fall time	Measured at 2.0V to 0.8V		1.0	nS
$t_{JC}$	Jitter (cycle to cycle)	-	360	-	pS
$t_D$	Output Duty cycle	45	50	55	%

Note: 1.  $t_{LH}$  and  $t_{HL}$  are measured into a capacitive load of 15pF

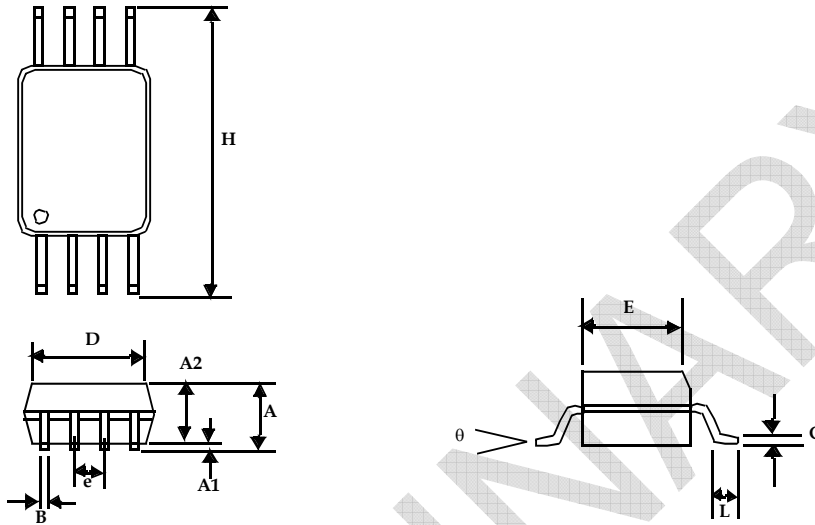
Package Information

8-lead (150-mil) SOIC Package



Symbol	Dimensions			
	Inches		Millimeters	
	Min	Max	Min	Max
A1	0.004	0.010	0.10	0.25
A	0.053	0.069	1.35	1.75
A2	0.049	0.059	1.25	1.50
B	0.012	0.020	0.31	0.51
C	0.007	0.010	0.18	0.25
D	0.193 BSC		4.90 BSC	
E	0.154 BSC		3.91 BSC	
e	0.050 BSC		1.27 BSC	
H	0.236 BSC		6.00 BSC	
L	0.016	0.050	0.41	1.27
theta	0°	8°	0°	8°

8-lead Thin TSSOP(4.40-MM Body)

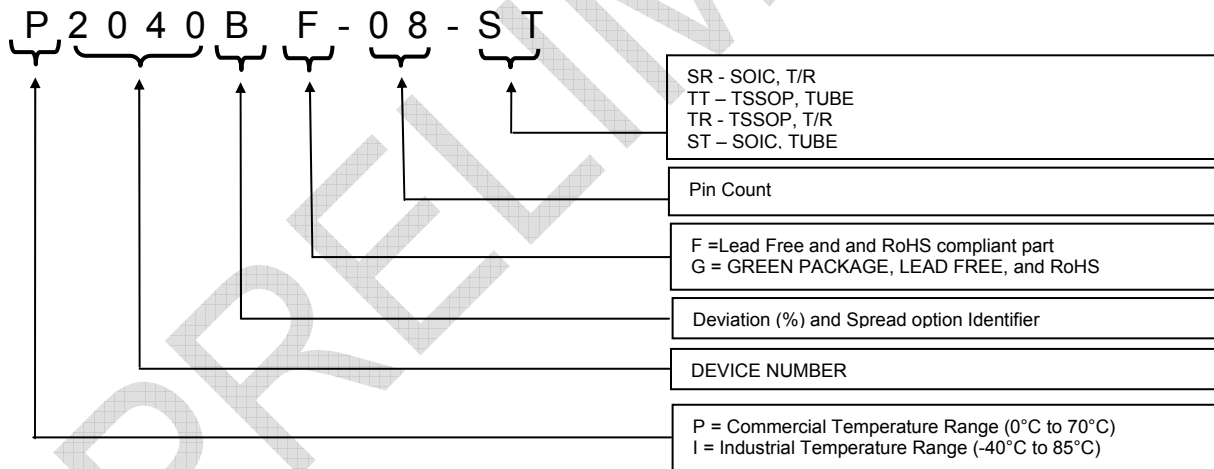


Symbol	Dimensions			
	Inches		Millimeters	
	Min	Max	Min	Max
A		0.043		1.10
A1	0.002	0.006	0.05	0.15
A2	0.033	0.037	0.85	0.95
B	0.008	0.012	0.19	0.30
c	0.004	0.008	0.09	0.20
D	0.114	0.122	2.90	3.10
E	0.169	0.177	4.30	4.50
e	0.026 BSC		0.65 BSC	
H	0.252 BSC		6.40 BSC	
L	0.020	0.028	0.50	0.70
$\theta$	0°	8°	0°	8°

**Ordering Information**

Part number	Marking	Package Configuration	Temperature Range
P2040BF-08-ST	P2040BF	8-Pin SOIC, Tube, Pb Free	Commercial
P2040BF-08-SR	P2040BF	8-Pin SOIC, Tape and Reel, Pb Free	Commercial
P2040BG-08-ST	P2040BG	8-Pin SOIC, Tube, Green	Commercial
P2040BG-08-SR	P2040BG	8-Pin SOIC, Tape and Reel, Green	Commercial
P2040BF-08-TT	P2040BF	8-Pin TSSOP, Tube, Pb Free	Commercial
P2040BF-08-TR	P2040BF	8-Pin TSSOP, Tape and Reel, Pb Free	Commercial
P2040BG-08-TT	P2040BG	8-Pin TSSOP, Tube, Green	Commercial
P2040BG-08-TR	P2040BG	8-Pin TSSOP, Tape and Reel, Green	Commercial
I2040BF-08-TT	I2040BF	8-Pin TSSOP, Tube, Pb Free	Industrial
I2040BF-08-TR	I2040BF	8-Pin TSSOP, Tape and Reel, Pb Free	Industrial
I2040BG-08-TT	I2040BG	8-Pin TSSOP, Tube, Green	Industrial
I2040BG-08-TR	I2040BG	8-Pin TSSOP, Tape and Reel, Green	Industrial
I2040BF-08-ST	I2040BF	8-Pin SOIC, Tube, Pb Free	Industrial
I2040BF-08-SR	I2040BF	8-Pin SOIC, Tape and Reel, Pb Free	Industrial
I2040BG-08-ST	I2040BG	8-Pin SOIC, Tube, Green	Industrial
I2040BG-08-SR	I2040BG	8-Pin SOIC, Tape and Reel, Green	Industrial

**Device Ordering Information**



Licensed under US patent #5,488,627, #6,646,463 and #5,631,920.



PulseCore Semiconductor Corporation  
1715 S. Bascom Ave Suite 200  
Campbell, CA 95008  
Tel: 408-879-9077  
Fax: 408-879-9018  
www.pulsecoresemi.com

Copyright © PulseCore Semiconductor  
All Rights Reserved  
Preliminary Information  
Part Number: P2040B  
Document Version: v0.2

Note: This product utilizes US Patent # 6,646,463 Impedance Emulator Patent issued to PulseCore Semiconductor, dated 11-11-2003

© Copyright 2006 PulseCore Semiconductor Corporation. All rights reserved. Our logo and name are trademarks or registered trademarks of PulseCore Semiconductor. All other brand and product names may be the trademarks of their respective companies. PulseCore reserves the right to make changes to this document and its products at any time without notice. PulseCore assumes no responsibility for any errors that may appear in this document. The data contained herein represents PulseCore's best data and/or estimates at the time of issuance. PulseCore reserves the right to change or correct this data at any time, without notice. If the product described herein is under development, significant changes to these specifications are possible. The information in this product data sheet is intended to be general descriptive information for potential customers and users, and is not intended to operate as, or provide, any guarantee or warranty to any user or customer. PulseCore does not assume any responsibility or liability arising out of the application or use of any product described herein, and disclaims any express or implied warranties related to the sale and/or use of PulseCore products including liability or warranties related to fitness for a particular purpose, merchantability, or infringement of any intellectual property rights, except as express agreed to in PulseCore's Terms and Conditions of Sale (which are available from PulseCore). All sales of PulseCore products are made exclusively according to PulseCore's Terms and Conditions of Sale. The purchase of products from PulseCore does not convey a license under any patent rights, copyrights; mask works rights, trademarks, or any other intellectual property rights of PulseCore or third parties. PulseCore does not authorize its products for use as critical components in life-supporting systems where a malfunction or failure may reasonably be expected to result in significant injury to the user, and the inclusion of PulseCore products in such life-supporting systems implies that the manufacturer assumes all risk of such use and agrees to indemnify PulseCore against all claims arising from such use.