

## Low Power 32 kHz Circuit for Analog Quartz Watches

### Description

The EM1537 is an integrated circuit in a low power CMOS technology for battery operated wristwatches with bipolar stepping motors. Time base is a 32 kHz crystal oscillator. It has a very low current consumption of typ. 100 nA in a wide voltage range of 1.2 to 3.6 Volt.

The IC is available in two voltage ranges - 1.2 to 1.8 Volt and 1.8 to 3.6 V.

Motor pulse width is programmable from 0.098 ms to 14.65 ms in steps of 0.98 ms by metal mask.

Motor period is programmable from 2 x 1s to 2 x 60 s in steps of 1 s selectable by metal mask.

Motor pulse chopping is programmable from 1/8 to 8/8 in steps of 1/8 with chopping frequencies of 1024 Hz or 2048 Hz selectable by metal mask.

Motor period in Motor test mode is selectable 2 x 31.25 ms or 2 x 62.5 ms by metal mask

Input and output capacitors are integrated on chip and also programmable by metal mask.

With a fully debounced RESET pad the motor can be stopped.

A multi-functional bidirectional pad MTEST acts as output for a 32 Hz or 512 Hz for frequency tuning - if open, or – if connected to  $V_P$  – accelerates the motor period by a factor of 16 or 32.

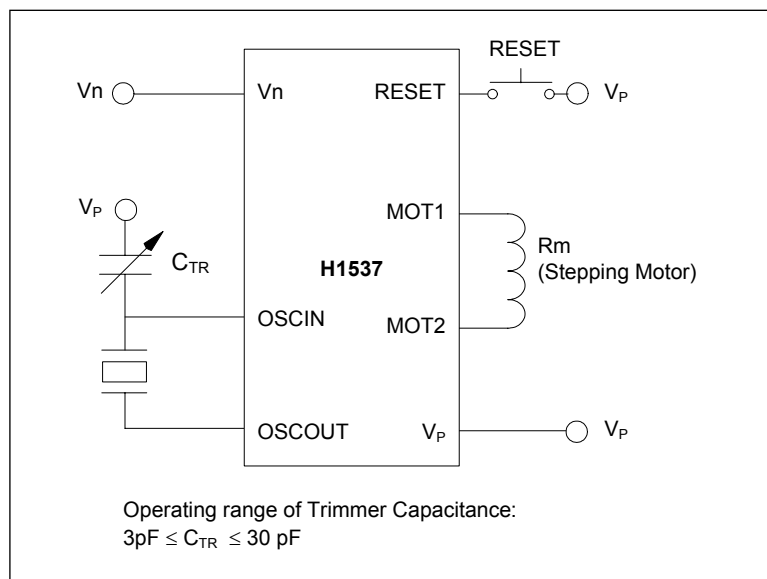
### Features

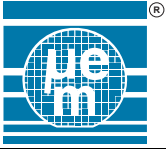
- Low power 32 kHz Quartz oscillator
- Operating voltage ranges 1.55V and 3 Volt.
- Very low current consumption typ. 100 nA at 1.5V.
- Motor pulse width motor period and motor pulse chopping is programmable in a wide range by metal mask and don't require additional bonds.
- Fully debounced RESET input for accurate time setting and power saving during shelf life.
- Integrated capacitors, mask selectable is steps of 1 pF up to 35 pF.
- Operation temperature range:  $-10^{\circ}\text{C}$  to  $+60^{\circ}\text{C}$
- Available in chip form, SO8 package

### Applications

- Analog watches
- Driver for bipolar stepping motors

### Functional Diagram





# EM1537

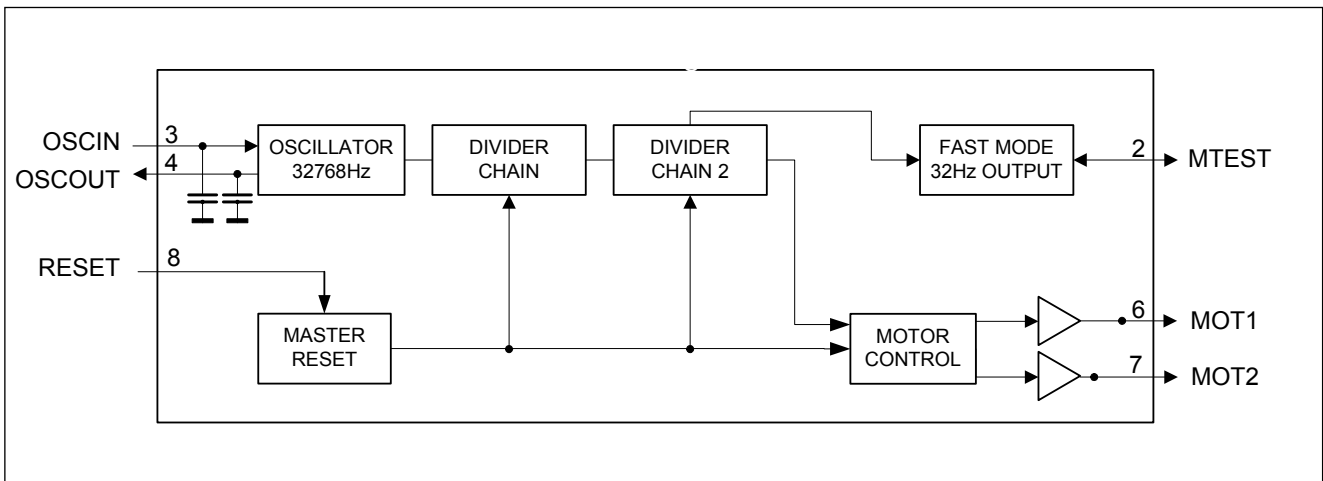
## Current Versions

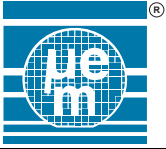
| Version | Motor output       |            |                  |             |                  |                | Integrated Capa |           | Test           | Pad options |       |
|---------|--------------------|------------|------------------|-------------|------------------|----------------|-----------------|-----------|----------------|-------------|-------|
|         | Supply voltage (V) | Period (s) | Pulse width (ms) | Chop. ratio | Chop. freqy (Hz) | Fast mode (ms) | Cin (pF)        | Cout (pF) | Fast test (Hz) | Pad 2       | Pad 8 |
| 016     | 1.55               | 2 x 1      | 5.859            | 8/8         | 0                | 2 x 62.5       | 2               | 14        | 512            | MTEST       | RESET |
| 017     | 1.55               | 2x5        | 5.859            | 8/8         | 0                | 2 x 62.5       | 4               | 14        | 512            | MTEST       | RESET |
| 020     | 1.55               | 2 x 20     | 5.859            | 8/8         | 0                | 2 x 62.5       | 2               | 14        | 512            | MTEST       | RESET |
| 021     | 1.55               | 2 x 1      | 4.883            | 8/8         | 0                | 2 x 62.5       | 2               | 14        | 512            | MTEST       | RESET |
| 026     | 1.55               | 2x20       | 6.836            | 8/8         | 0                | 2 x 31.25      | 4               | 14        | 512            | MTEST       | RESET |
| 058     | 1.55               | 2 x 10     | 4.883            | 8/8         | 0                | 2 x 31.25      | 2               | 25        | 512            | RESET       | MTEST |

## Metal options

| Parameter          | Min                         | Max       | Resolution | Unit | Description                  |
|--------------------|-----------------------------|-----------|------------|------|------------------------------|
| Supply voltage     | (1.2 to 1.8) or (1.8 – 3.6) |           |            | V    |                              |
| Motor pulse period | 2 x 1                       | 2 x 60    | 2 x 1      | s    |                              |
| Motor pulse width  | 0.977                       | 14.65     | 0.977      | ms   |                              |
| Chopping ratio     | 1/8                         | 8/8       | 1/8        | 1    |                              |
| Chopping frequency | 1024 or 2048                |           |            | Hz   |                              |
| Fast mode period   | 2 x 31.25 or 2 x 62.5       |           |            | ms   | Motor period in Test mode    |
| Cin                | 2                           | 35 - Cout | 1          | pF   | Internal capacitor on OSCIN  |
| Cout               | 2                           | 35 - Cin  | 1          | pF   | Internal capacitor on OSCOUT |
| Fast test          | 32 or 512                   |           |            | Hz   | Test frequency on MTEST      |
| Pad 2              | MTEST or RESET              |           |            |      |                              |
| Pad 8              | RESET or MTEST              |           |            |      |                              |

## Block Diagram





## Absolute Maximum Ratings

| Parameter                         | Symbol           | Conditions                                     |
|-----------------------------------|------------------|--|
| Voltage at V <sub>DD</sub> to GND | V <sub>p</sub>   | - 0.3 to + 4.0 V                               |
| Voltage on other terminals        |                  | V <sub>n</sub> -0.3 V to V <sub>p</sub> +0.3 V |
| Operating temperature             | Top              | - 10 to + 60 °C                                |
| Storage Temperature Range         | T <sub>stg</sub> | - 55 to + 150 °C                               |
| Quartz serial resistor            | R <sub>q</sub>   | 50 kΩ  |

Stresses above these listed maximum ratings may cause permanent damages to the device. Exposure beyond specified operating conditions may affect device reliability or cause malfunction.

## Handling Procedures

This device has built-in protection against high static voltages or electric fields; however, anti-static precautions must be taken as for any other CMOS component. Unless otherwise specified, proper operation can only occur when all terminal voltages are kept within the voltage range. Unused inputs must always be tied to a defined logic voltage level.

## Operating Conditions

| Parameter             | Symbol          | Min  | Max  | Unit |
|-----------------------|-----------------|------|------|------|
| Supply voltage        | V <sub>DD</sub> | 1.2  | 3.6  | V    |
| Operating Temperature | T <sub>A</sub>  | - 10 | + 60 | °C   |

## Electrical Characteristics 1.55 Volt

V<sub>p</sub> = 1.55 V; V<sub>ss</sub> = 0 V; T<sub>a</sub> = 25 °C; f<sub>q</sub> = 32768 Hz; Quartz crystal R<sub>s</sub> = 30 kΩ; Motor coil resistance R<sub>m</sub> = 2 kΩ; Supply source resistor R<sub>i</sub> = 10 Ω; unless otherwise specified.

| Parameter  | Symbol                           | Conditions   | Min   | Typ                | Max   | Unit            |
|--|----------------------------------|--|-------|--------------------|-------|-----------------|
| <b>Supply</b>  |                                  |  |       |                    |       |                 |
| Supply voltage range   | V <sub>p</sub>                   |  | 1.2   | 1.55               | 1.8   | V               |
| Supply voltage drop during Motorpulse                                  | dV <sub>p</sub>                  |  |       |                    | 0.7   | V               |
| Mean dynamic current   | I <sub>dyn</sub>                 | Without motor and quartz<br>32 kHz 900mVpp sinus wave,<br>forced on OSCIN/OSCOUT, TEST<br>open |       | 90                 | 150   | nA              |
| Mean current consumption   | I <sub>n</sub>                   | With quartz, without motor,<br>MTEST open, C <sub>tr</sub> = 12 pF                             |       | 250                | 350   | nA              |
| Mean current consumption<br>in variation with R <sub>q</sub> of quartz | dI <sub>n</sub> /dR <sub>q</sub> |  |       | 2.6                |       | nA/kΩ           |
| <b>Oscillator</b>  |                                  |  |       |                    |       |                 |
| Transconductance   | G <sub>m</sub>                   | V <sub>p</sub> = 1.2 V, V <sub>pp</sub> = 300 mV sinus   | 2.5   | 15                 |       | umho            |
| Starting voltage   | V <sub>st</sub>                  | Within 10 seconds  |       | 0.75               |       | V               |
| Starting time  | T <sub>st</sub>                  |  |       | 1                  | 2     | sec             |
| Stability df/f*dV <sub>p</sub>   |                                  | Between 1.4 V and 1.6 V  |       | 1.5                | 5     | ppm/V           |
| Input capacitance  | C <sub>in</sub>                  | C = nominal value  |       | C +/- (0.1C + 0.5) |       | pF              |
| Output capacitance   | C <sub>out</sub>                 | C = nominal value  |       | C +/- (0.1C + 0.5) |       | pF              |
| Trimmer capacitance  | C <sub>tr</sub>                  |  | 3     |                    | 30    | pF              |
| <b>Motordrivers</b>  |                                  |  |       |                    |       |                 |
| Voltage across Motor   | V <sub>mot</sub>                 | V <sub>p</sub> = 1.55 V, R <sub>m</sub> = 2 kΩ   | 1.35  | 1.4                |       | V               |
|  |                                  | V <sub>p</sub> = 1.25 V, R <sub>m</sub> = 2 kΩ   | 1.00  | 1.1                |       | V               |
|  |                                  | R <sub>i</sub> = 300 Ω, R <sub>m</sub> = 2 kΩ,<br>T = - 10 to + 60 °C                          | 1.00  | 1.2                |       | V               |
| Short circuit impedance  | R <sub>sc</sub>                  | Between motor pulses 100 mV<br>applied between MOT1 and MOT2                                   | 150   | 300                |       | Ω               |
| Rise and Fall time   |                                  | From 90% V <sub>p</sub> to 10% V <sub>n</sub>  |       | 40                 | 200   | ns              |
| <b>MTEST Input/Output</b>  |                                  |  |       |                    |       |                 |
| Debounce delay   | T <sub>tst</sub>                 |  | 31.25 |                    | 62.5  | ms              |
| Amplitude  | V <sub>tst</sub>                 | 30 pF // 1 MΩ load   | 1.55  |                    |       | V <sub>pp</sub> |
| Mean current   | I <sub>tst</sub>                 | Pulled to V <sub>pp</sub> , f <sub>tst</sub> = 512 Hz  |       | 70                 | 250   | nA              |
| <b>RESET Input</b>   |                                  |  |       |                    |       |                 |
| Debounce delay   | T <sub>s</sub>                   |  | 7.81  |                    | 23.43 | ms              |
| Input current after delay T <sub>s</sub>                               | I <sub>s</sub>                   | Pulled to V <sub>p</sub>   |       | 10                 | 50    | nA              |

\* average input current (modulated by a frequency of 64 Hz)

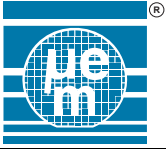


## Electrical Characteristics 3.0 Volt

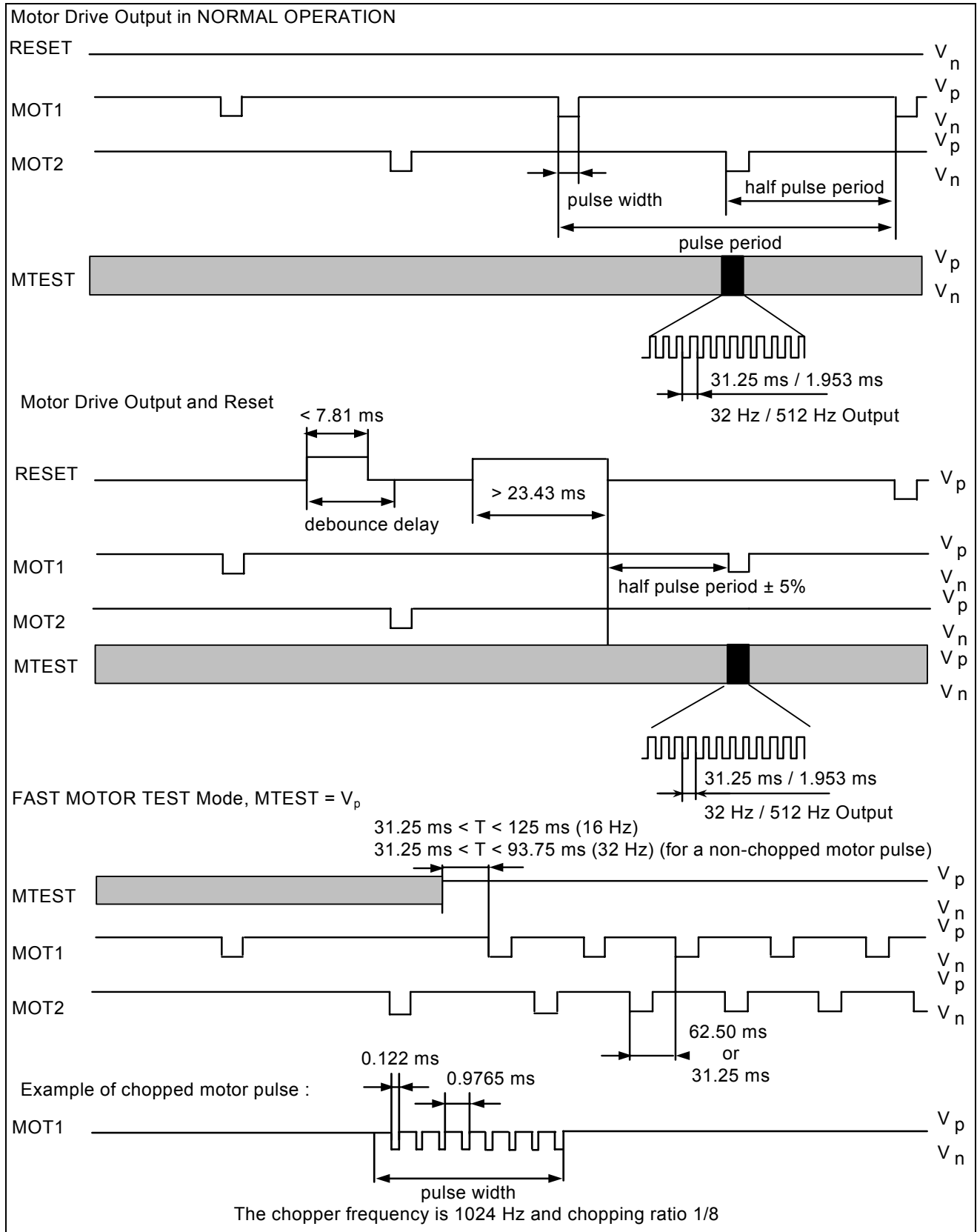
Vp = 3.0 V; Vss = 0 V; Ta = 25 °C; fq = 32768 Hz; Quartz crystal Rs = 30 kΩ; Motor coil resistance Rm = 2 kΩ; Supply source resistor Ri = 10 Ω; unless otherwise specified.

| Parameter   | Symbol  | Conditions   | Min                | Typ  | Max   | Unit  |
|---|---------|--|--------------------|------|-------|-------|
| <b>Supply</b>   |         |  |                    |      |       |       |
| Supply voltage range                                    | Vp      |  | 1.8                | 3.0  | 3.6   | V     |
| Supply voltage drop during Motorpulse                   | dVp     |  |                    |      | 0.7   | V     |
| Mean dynamic current                                    | Idyn    | Without motor and quartz<br>32 kHz 900mVpp sinus wave,<br>forced on OSCIN/OSCOUT, TEST<br>open |                    | 120  | 250   | nA    |
| Mean current consumption                                | In      | With quartz, without motor,<br>MTEST open, Ctr = 12 pF   |                    | 200  | 350   | nA    |
| Mean current consumption in variation with Rq of quartz | dIn/dRq |  |                    | 2.6  |       | nA/kΩ |
| <b>Oscillator</b>                                       |         |  |                    |      |       |       |
| Transconductance  | Gm      | Vp = 1.2 V, Vpp = 300 mV sinus   | 2.5                | 15   |       | umho  |
| Starting voltage  | Vst     | Within 10 seconds  | 1.8                |      |       | V     |
| Starting time   | Tst     |  |                    | 1    | 2     | sec   |
| Stability df/f*dVp                                      |         | Between 1.4 V and 1.6 V  |                    | 1.5  | 5     | ppm/V |
| Input capacitance                                       | Cin     | C = nominal value  | C +/- (0.1C + 0.5) |      |       | pF    |
| Output capacitance                                      | Cout    | C = nominal value  | C +/- (0.1C + 0.5) |      |       | pF    |
| Trimmer capacitance                                     | Ctr     |  | 3                  |      | 30    | pF    |
| <b>Motordrivers</b>                                     |         |  |                    |      |       |       |
| Voltage across Motor                                    | Vmot    | Vp = 3.0 V, Rm = 2 kΩ  | 2.69               | 2.84 |       | V     |
|   |         | Vp = 2.2 V, Rm = 2 kΩ  | 1.97               | 2.08 |       | V     |
|   |         | Ri = 300 Ω, Rm = 2 kΩ,<br>T = - 10 to + 60 °C  | 2.35               | 2.40 |       | V     |
|   |         | Vp = 3.0 V, Rm = 640 Ω   | 2.21               | 2.56 |       |       |
|   |         | Vp = 2.2 V, Rm = 640 Ω   | 1.62               | 1.87 |       | V     |
|   |         | Ri = 300 Ω, Rm = 640 Ω,<br>T = - 10 to + 60 °C   | 1.64               | 1.80 |       | V     |
| Short circuit impedance                                 | Rsc     | Between motor pulses 100 mV<br>applied between MOT1 and MOT2                                   |                    |      | 215   | Ω     |
| Rise and Fall time                                      |         | From 90% Vp to 10% Vn  |                    | 40   | 200   | ns    |
| <b>MTEST Input/Output</b>                               |         |  |                    |      |       |       |
| Debounce delay  | Ttst    |  | 31.25              |      | 62.5  | ms    |
| Amplitude   | Vtst    | 30 pF // 1 MΩ load   | 2.6                |      |       | Vpp   |
| Mean current  | Itst    | Pulled to Vpp, ftst = 512 Hz   |                    | 70   | 250   | nA    |
| <b>RESET Input</b>                                      |         |  |                    |      |       |       |
| Debounce delay  | Ts      |  | 7.81               |      | 23.43 | ms    |
| Input current after delay Ts *                          | Is      | Pulled to Vp   |                    | 10   | 50    | nA    |

\* average input current (modulated by a frequency of 64 Hz)



## Timing Waveforms



## Functional Description

### Oscillator (Pads OSCIN/OSCOUT)

Time-base is a 32 kHz quartz crystal. Special care was taken at design of crystal oscillator and initial divider chain to achieve very low power consumption and a wide operating voltage range.

Input and output capacitances are integrated on-chip; their values are metal mask selectable.

The oscillator frequency can be adjusted with an external trimmer (CTR) connected on Pad OSCIN.

### Motor Drive Output (Pads MOT1, MOT2)

The EM1537 contains two push-pull output buffers for driving a bipolar stepping motor. Between two motor pulses, the two p-channel devices are active for damping the motor. A special circuitry prevents transfer current spikes during switching.

### Reset Input (Pad RESET)

The reset input is fully debounced with a debounce-delay between 7.8 ms and 23.4 ms.

Pulling the RESET input to  $V_p$ , resets the frequency dividers and disables motor pulses. Motor pulses in progress when the RESET function is applied will be completed. After releasing the RESET pad from  $V_p$  the next motor pulse appears with a delay of one half motor cycle +/- 5% on the drive output MOT1 if the last pulse appeared on MOT2 and vice-versa. The RESET input has an internal pull-down.

### Test Mode (Pad MTEST)

The Pad MTEST is a bidirectional port. In its input mode it is fully debounced with a debounce-delay between 31.25 ms and 62.5 ms.

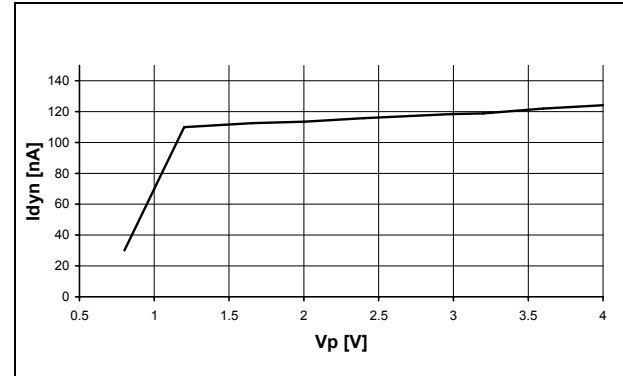
The MTEST pad fulfils two functions:

- For normal operation the MTEST pad is left open. The circuit outputs a square wave signal of 32 Hz or 512 Hz (fst) which can be used for tuning the oscillator frequency.
- If the MTEST pad is connected to  $V_p$  the period of motor pulses changes either to  $2 \times 31.25$  ms or  $2 \times 62.5$  ms (mask option) while the motor pulse width and chopping remains unchanged (fast motor test).

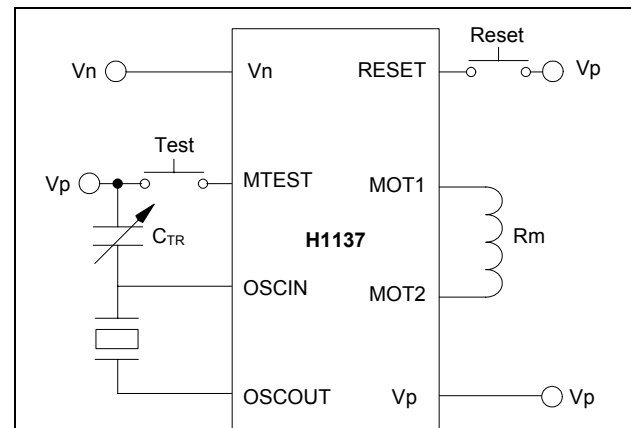
### Factory Test (Pad TEST):

Test pad for Wafer sorting at the EM-Microelectronic. It has a pull-up transistor.

## Typical Operating Characteristics



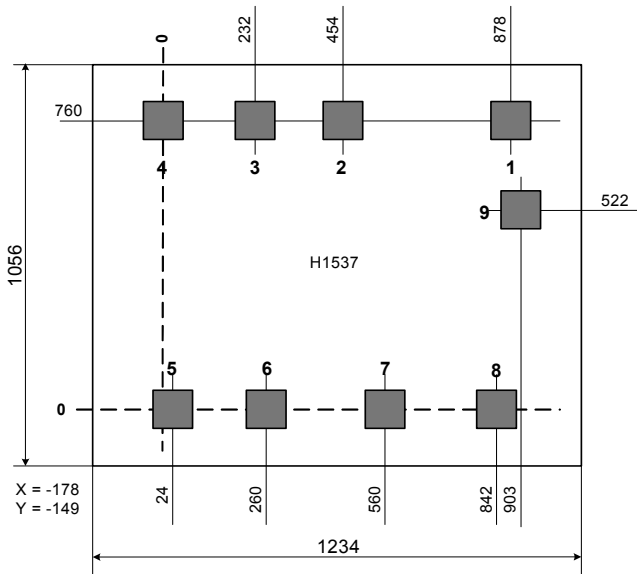
## Test Configuration





# EM1537

## Padout



| Pad N° | Pad Name                      |
|--------|-------------------------------|
| 1      | Vn                            |
| 2      | MTEST or RESET                |
| 3      | OSCIN                         |
| 4      | OSCOUT                        |
| 5      | Vp                            |
| 6      | MOT2                          |
| 7      | MOT1                          |
| 8      | RESET or MTEST                |
| 9      | EMTEST (manufacturer testpad) |

RESET and MTEST can be changed between pads 2 and 8 by metal mask

Pad opening 90μm x 90 μm typical.

Chip size is x=1234 μm y=1056 μm

The X origin is the most left coordinate and the Y origin is the lower coordinates of the center pads. The lower left corner of the chip shows distances to origin.

## Ordering Information

EM1537 WW 11 - %%%

**Customer Version:**  
customer-specific number given by EM Microelectronic

**Thickness:**  
11 = 11 mils (280um)  
10 = 10 mils (250um)  
(for other thickness, contact EM)

**Die form:**  
WW = Wafer  
WS = Sawn Wafer/Frame  
WP = Waffle Pack

## Example:

| Part number    | Package            | Delivery form /Thickness |
|----------------|--------------------|--------------------------|
| EM1537WS11-%%% | Sawn wafer         | 11 mils                  |
| EM1537WP10-%%% | Die in waffle pack | 10 mils                  |

Please make sure to give the complete part number when ordering, including the 3-digit customer version. The customer version is made 3 digits %%% (e.g. 016, 021, etc.)

Please contact EM- Microelectronic for other packages or Bumps.

EM Microelectronic-Marín SA (EM) makes no warranty for the use of its products, other than those expressly contained in the Company's standard warranty which is detailed in EM's General Terms of Sale located on the Company's web site. EM assumes no responsibility for any errors which may appear in this document, reserves the right to change devices or specifications detailed herein at any time without notice, and does not make any commitment to update the information contained herein. No licenses to patents or other intellectual property of EM are granted in connection with the sale of EM products, expressly or by implications. EM's products are not authorized for use as components in life support devices or systems.