

NEW



HDMI Standard Digital Interface Connector

CONNECTOR

MB-0121-2

August 2008

DC1 Series

RoHS Compliant



Recently, the market for digital consumer devices such as LCD TVs, PDP TVs, and DVD players has been rapidly growing along with the progress of digital high-definition television broadcasting.

The DC1 Series is a connector created specifically for use with the HDMI standard, a next generation digital interface standard for digital consumer devices.

*HDMI, the HDMI Logo and High-Definition Multimedia Interface are trademarks or registered trademarks of HDMI Licensing LLC.

Features

- 0.1mm pitch, compact connector
- Impedance-matching design for high-speed transmission
- Grounding structure for excellent EMI control
- Friction lock for easy insertion and removal of connector
- Receptacle connector available in surface mount type and through-hole mount type

Applicable Markets

Digital television, LCD projector, Set-top box, DVD player, Blu-ray Disk recorder, etc.

General Specifications

- No. of contacts: 19 pos.
- Dielectric withstanding voltage :
AC 500V rms
- Contact resistance: 30m ohm max.
- Operating temperature:
-20 Deg. C to +85 Deg. C
- Rated voltage: 0.5A max.
- Insulation resistance: 100M ohm min.
- Impedance: 100 ohm \pm 15%

Materials and Finishes

Receptacle

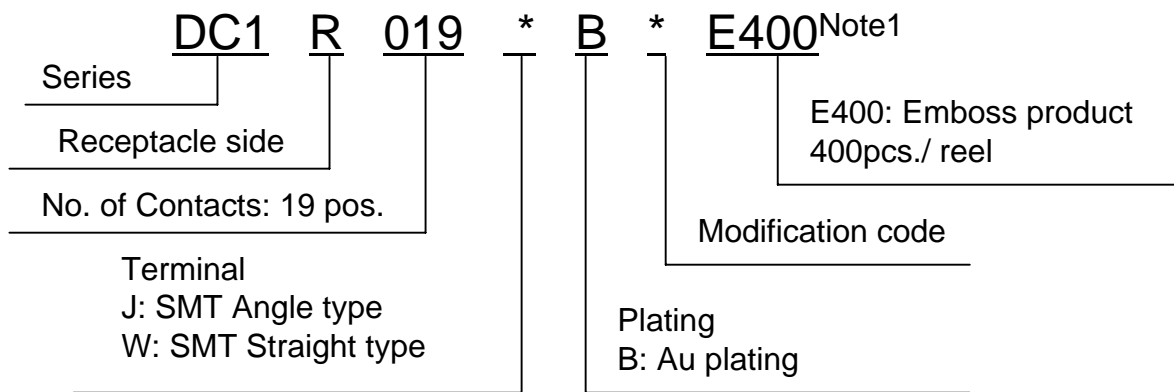
Component	Material/ Finish
Insulator	Heat resistant plastic
Contact	Copper alloy/ Au plating over Ni
Shell	Copper alloy/ Sn plating

Plug (for Cable harness)

Component	Material/ Finish
Insulator	Heat resistant plastic
Contact	Copper alloy/ Au plating over Ni
Shell	Copper alloy/ Sn plating
Hood	PVC/ Color: Black (UL94V-0)

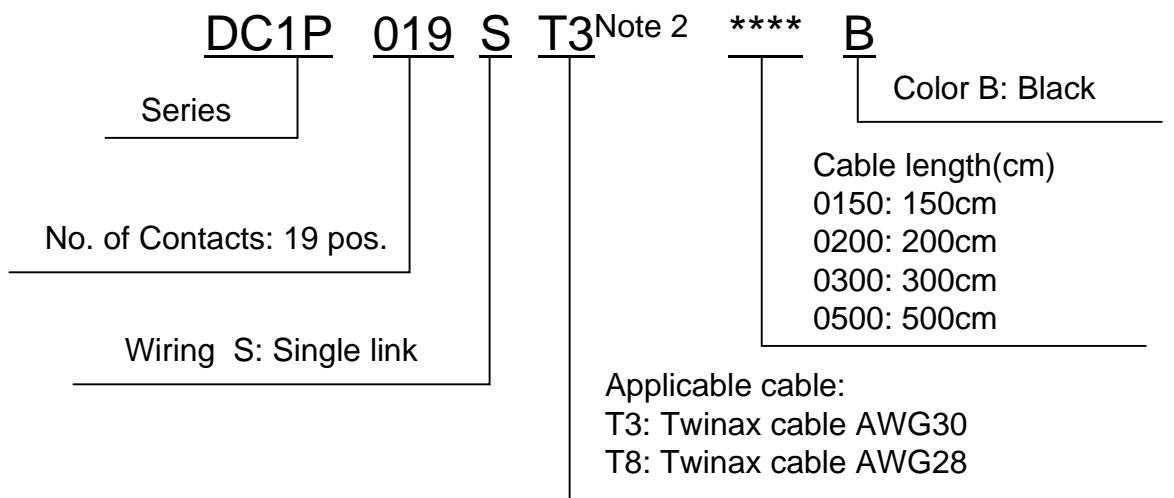
Ordering Information

•Receptacle



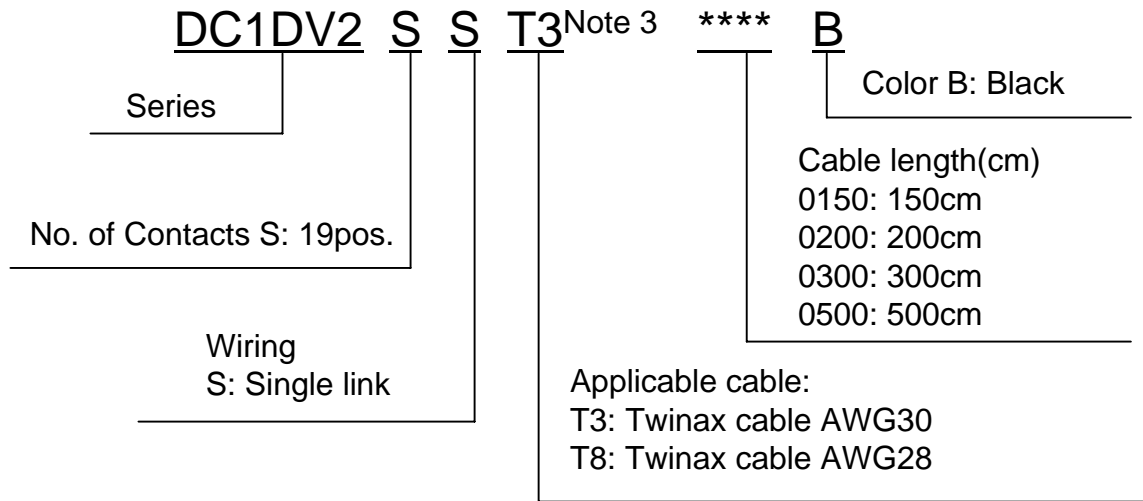
Note 1
 Please contact us concerning through-hole type.
 Embossed reel is compatible with DC1R019JB1 only.

•HDMI-HDMI Cable harness



Note 2
 Cable specification
 T3 is 150cm, 200cm, 300cm.
 T8 is 500cm.

•HDMI-DVI Cable harness

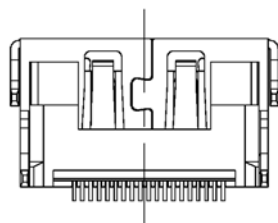
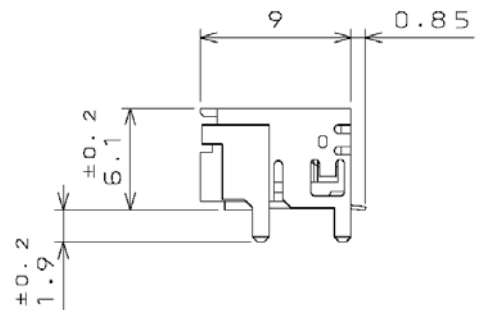
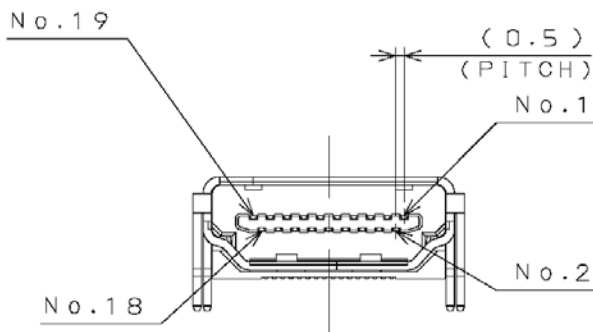
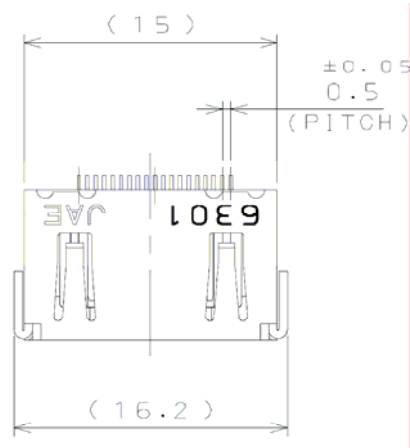


Note 3
Cable specification
T3 is 150cm, 200cm, 300cm.
T8 is 500cm.

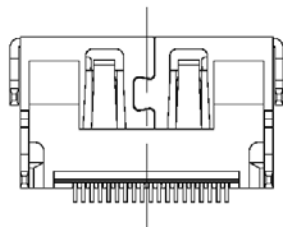
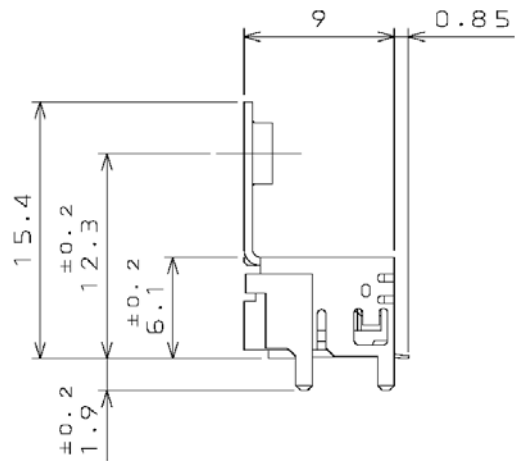
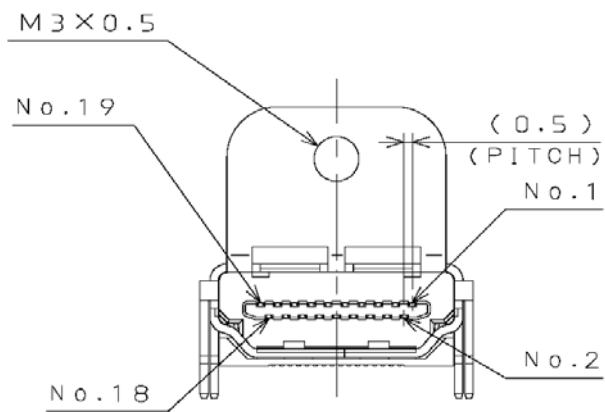
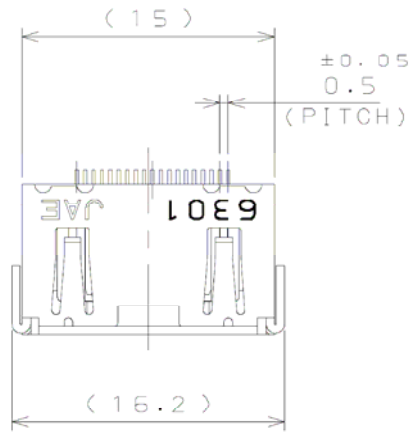
Dimensions and Shape

Angle Receptacle

- DC1R019JB1
(SMT, without flange)

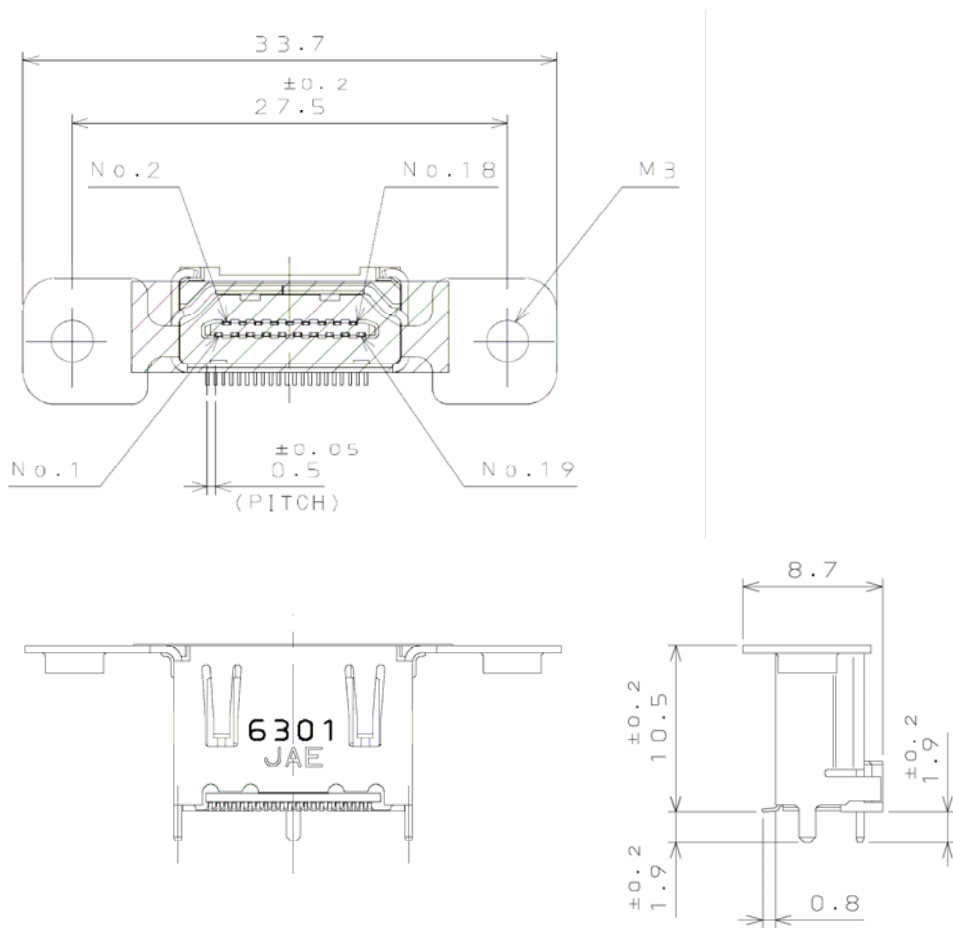


•DC1R019JBA
(SMT angle , with flange)



Straight receptacle

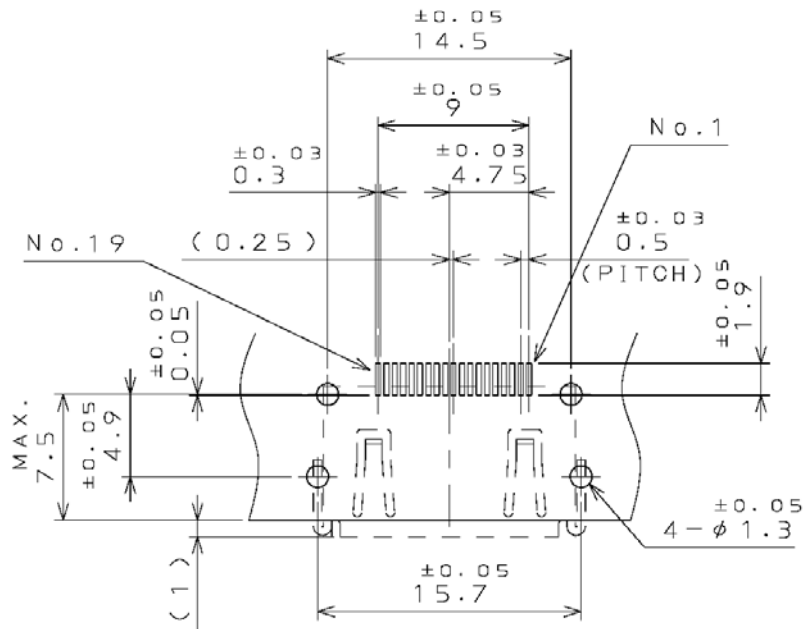
•DC1R019WBA



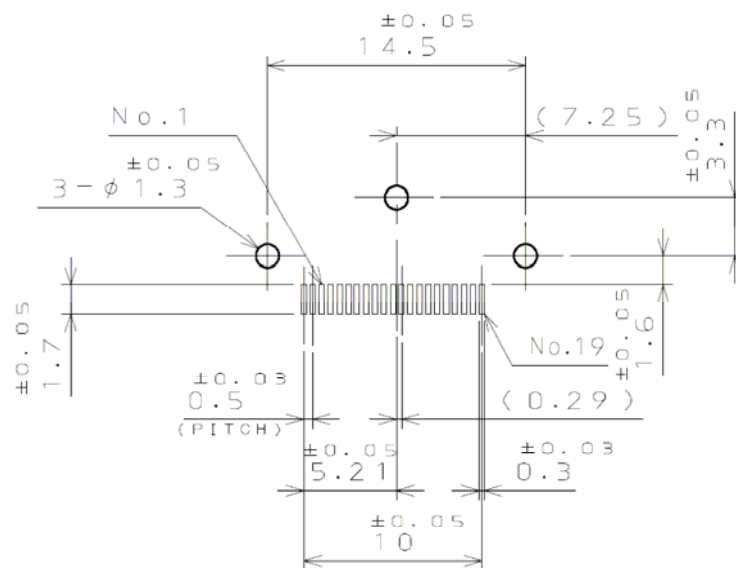
Applicable board dimension

Applicable board dimensions (for reference)

•DC1R019JB1, JBA

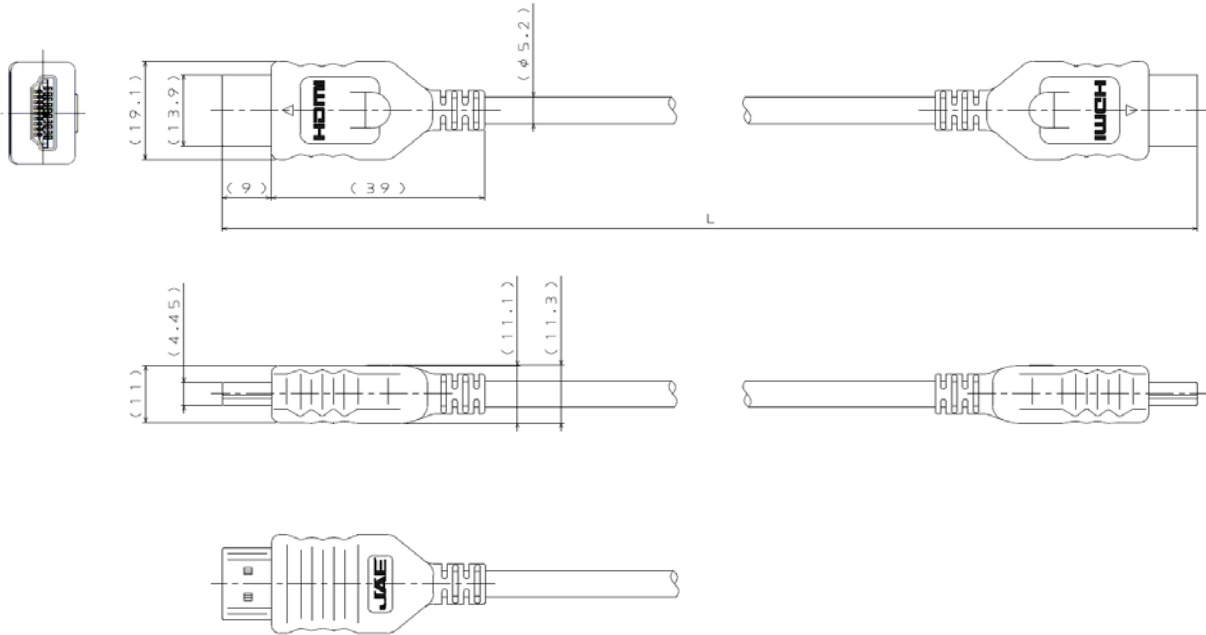


•DC1R019WBA



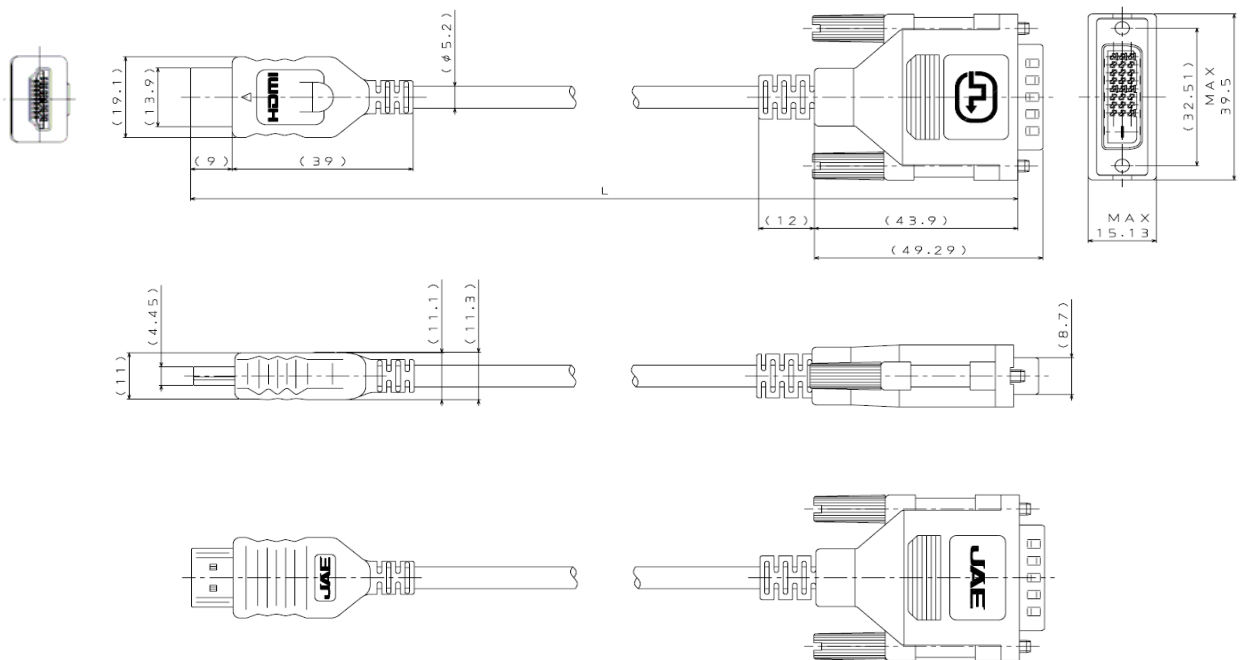
HDMI-HDMI Cable Harness

•DC1P019ST3****B



HDMI-DV1 Cable Harness

•DC1DV2SST3****B



Applicable board dimension

Drawing Number

■ **Receptacle**

Connection	Mounting	Flange	Part Number	SJ Drawing	Specification
Angle	SMT	Yes	DC1R019JB1	SJ104932	JACS-3289
		Yes	DC1R019JBA	SJ104936	
Straight	SMT	Yes	DC1R019WBA	SJ106085	

■ **Cable Harness**

	Harness	Part Number	SJ Drawing	Specification
Cable Harness	HDMI-HDMI	DC1P019ST3****B	SJ038524	JACS-3289
		DC1P019ST8****B	SJ100180	
	HDMI-DVI	DC1DV2SST3****B	SJ038860	JACS-4037
		DC1DV2SST8****B	SJ100181	

•DC1 Series Connector, Cable Handling Instruction-----JAHL-3289

Japan Aviation Electronics Industry, Limited

Product Marketing Division
 Aobadai Building, 3-1-19, Aobadai, Meguro-ku, Tokyo 153-8539
 Phone: +81-3-3780-2787 FAX: +81-3-3780-2946

Notice: Products shown in this leaflet are made for the applications listed below. However, if the above-mentioned products are to be used in aerospace devices, marine cable-connection devices, atomic power control systems, medical equipment for life-support systems, or any other specific application requiring extremely high reliability, please contact JAE for further information.
 Recommended applications: computers, office machines, measuring devices, telecommunication devices (terminals, mobile devices), AV devices, household applications, FA devices, etc.