

DC-AC INVERTER UNIT

CXA-L0612A-VSL(5W SINGLE OUTPUT WITH DIMMING FUNCTION)

DESCRIPTION :

This low profile DC to AC Inverter is developed for single lamp, low power LCD back-light. Application includes industrial PC and LCD monitor.

Applicable LCD; 5 to 15 inches single lamp type
 Lamp Voltage 600Vrms
 Lamp Current 6mArms
 Lamp Start Up Voltage 1800Vrms (Vin : 12V)



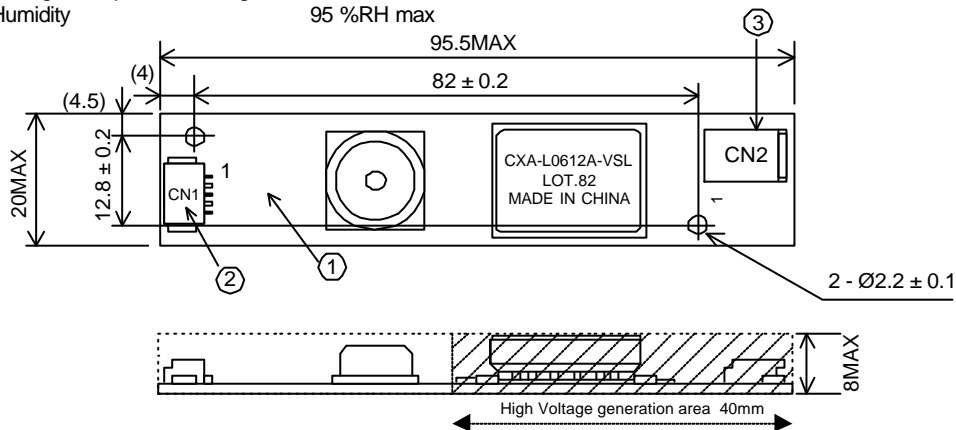
FEATURES :

- Wide operating temperature range
- Current feedback circuit
- High efficiency
- Low noise with voltage resonant circuit
- Regulated output current

TEMPERATURE & HUMIDITY :

Operating Temperature Range 0 °C ~ +70°C
 Storage Temperature Range -30°C ~ +85°C
 Humidity 95 %RH max

DIMENSIONS :



Unit : mm
 Weight :14.5 (g) typ.

Note : Please use minimum of 2mm clearance (all directions) between inverter high voltage area (as marked above) and any conductors.

No.	Part Description	Qty.	Note	
1	PWB	1	UL94V-0	t=1.0mm
2	Connector CN1	1	53261-0590	(Molex)
3	Connector CN2	1	SM02B-BHSS-1	(JST)

CN1 : 53261-0590 (Molex)

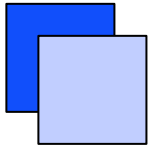
Pin	Symbol	Note
CN1-1	Vin	9.6 ~ 15V
CN1-2	GND	0 V
CN1-3	Vrmt	0 V : OFF 5V ~ 15 : ON
CN1-4	Vbr	0 ~ 4V
CN1-5	N.C.	For an internal circuit use. Don't connect.

CN2 : SM02B-BHSS-1 (JST)

Pin	Symbol	Note
CN2-1	Vhigh	600Vrms (6mArms)
CN2-2	Vlow	(2V)

General Information Tel : +81-3-5201-7206 (Japan)
 Tel : +1-847-390-4439 (USA)
 Tel : +44-118-921-6206 (EU)

All specification are subject to change without notice.

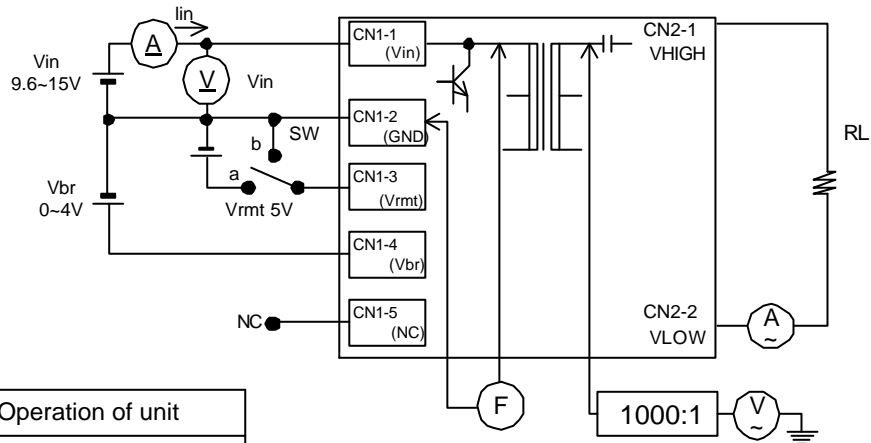


CXA-L0612A-VSL(5W SINGLE OUTPUT WITH DIMMING FUNCTION)

ELECTRICAL CHARACTERISTICS :

Parameters	Symbol	Conditions					Specifications			Unit	Note
		Vin (V)	Vrmt(V)	Vbr (V)	Ta (°C)	RL (kΩ)	min.	typ.	max.		
Output Current	Iout	9.6 ~ 15	5	0	-20 ~ +70	90 ~ 130	5.3	6.0	6.7	mArms	Max Brightness.
		9.6 ~ 15	5	0	23 ± 5	100	5.4	6.0	6.6	mArms	
		9.6 ~ 15	5	4	23 ± 5	520	1.3	1.6	1.9	mArms	
Input Current	Iin	12	5	0	-20 ~ +70	90 ~ 130	-	0.4	0.65	Adc	
Frequency	FL	9.6 ~ 15	5	0	-20 ~ +70	90 ~ 130	48	58	68	kHz	
Open Voltage	Vopen	9.6 ~ 15	5	0 ~ 3	-20 ~ +70	∞	1500	1800	-	Vrms	

TEST CIRCUIT :



SW	Operation of unit
a	Operation
b	Non operation