



Features

- Low I/O capacitance at 7pF typical
- In-system ESD protection to $\pm 15\text{kV}$ contact discharge, per the IEC 61000-4-2 international standard
- Two, three, four or five channels of ESD protection
- Compact SMT package saves board space and facilitates layout in space-critical applications
- Each I/O pin can withstand over 1000 ESD strikes
- Lead-free versions available

Applications

- High-speed consumer electronic ports
- ESD protection of PC ports, including USB ports, serial ports, parallel ports, IEEE1394 ports, docking ports, proprietary ports, etc.
- Protection of interface ports or IC pins which are exposed to high ESD levels

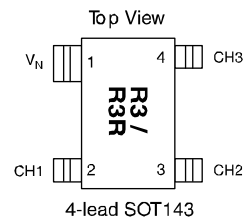
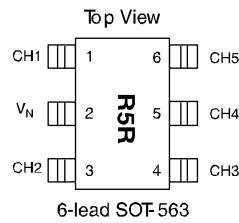
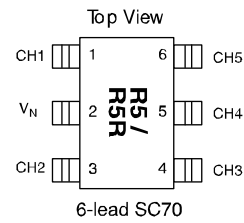
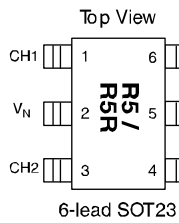
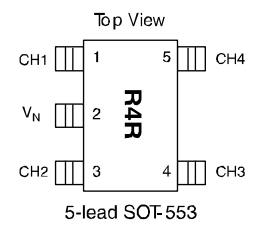
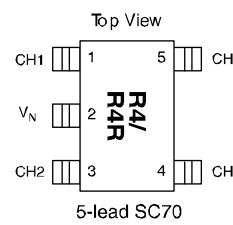
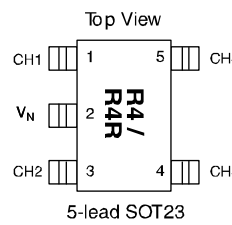
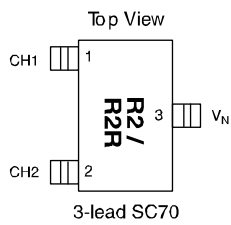
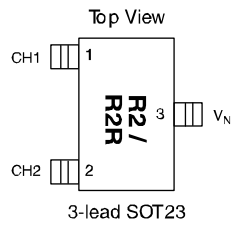
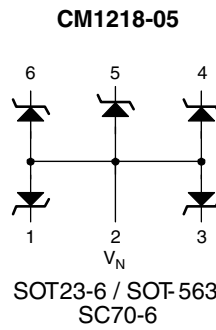
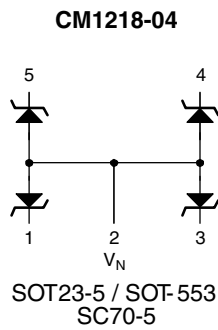
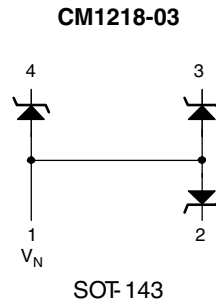
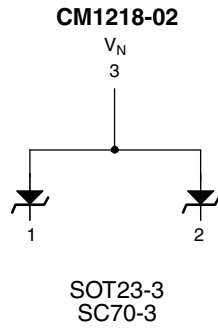
Product Description

The CM1218 family of devices features transient voltage suppressor arrays that provide a very high level of protection for sensitive electronic components which may be subjected to electrostatic discharge (ESD).

All pins of the CM1218 are rated to withstand $\pm 15\text{kV}$ ESD pulses using the IEC 61000-4-2 contact discharge method. Using the MIL-STD-883D (Method 3015) specification for Human Body Model (HBM) ESD, all pins are protected from contact discharges of greater than $\pm 30\text{kV}$.

The CM1218 is supplied in a number of compact, surface mount packages depending on the channel configuration desired. All versions of this device are available with optional lead-free finishing.

Electrical Schematics



Note: SOT23, SC70 and SOT143 and packages may differ in size. These drawings are not to scale.

CM1218

PIN DESCRIPTIONS

LEADS	NAME	DESCRIPTION
(Refer to package / pinout diagrams)	CHx	The cathode of the respective TVS diode, which should be connected to the node requiring transient voltage protection.
(Refer to package / pinout diagrams)	V _N	The anode of the TVS diodes.

Ordering Information

PART NUMBERING INFORMATION

Leads	Package	Standard Finish		Lead-free Finish	
		Ordering Part Number ¹	Part Marking ²	Ordering Part Number ¹	Part Marking ²
3	SOT23-3	CM1218-02ST	R2	CM1218-02SO	R2R
3	SC70-3	CM1218-02SC	R2	CM1218-02S7	R2R
4	SOT143	CM1218-03SS	R3	CM1218-03SR	R3R
5	SOT23-5	CM1218-04ST	R4	CM1218-04SO	R4R
5	SOT-553	CM1218-04SE	R4R	CM1218-04SE	R4R
5	SC70-5	CM1218-04SC	R4	CM1218-04S7	R4R
6	SOT23-6	CM1218-05ST	R5	CM1218-05SO	R5R
6	SOT-563	CM1218-05SE	R5R	CM1218-05SE	R5R
6	SC70-6	CM1218-05SC	R5	CM1218-05S7	R5R

Note 1: Parts are shipped in Tape & Reel form unless otherwise specified.

Note 2: The SOT-553 and SOT-563 packages for leaded and lead-free finishing are the same. The maximum soldering reflow temperature for these packages is 240°C.

Specifications

ABSOLUTE MAXIMUM RATINGS

PARAMETER	RATING	UNITS
Storage Temperature Range	-65 to +150	°C
Package Power Dissipation		
SC70	0.2	W
SOT23-3, SOT23-5, SOT23-6, SOT143	0.225	W
SOT-553, SOT-563	0.15	W

STANDARD OPERATING CONDITIONS

PARAMETER	RATING	UNITS
Operating Temperature	-40 to +85	°C

ELECTRICAL OPERATING CHARACTERISTICS

SYMBOL	PARAMETER	CONDITIONS	MIN	TYP	MAX	UNITS
C_{IN}	Channel Input Capacitance	$T_A = 25^\circ\text{C}$, 2.5VDC, 1MHz		7		pF
ΔC_{IN}	Differential Channel I/O to GND Capacitance	$T_A = 25^\circ\text{C}$, 2.5VDC, 1MHz		0.19		pF
V_{RSO}	Reverse Stand-off Voltage	$I_R = 10\mu\text{A}$, $T_A = 25^\circ\text{C}$; Note 1	5.5	6.8	8.5	V
		$I_R = 1\text{mA}$, $T_A = 25^\circ\text{C}$; Note 1	6.1	6.8	8.8	V
I_{LEAK}	Leakage Current	$V_{IN} = 5.0\text{VDC}$, $T_A = 25^\circ\text{C}$; Note 1			1	μA
V_{SIG}	Small Signal Clamp Voltage	Positive Clamp	5.5	6.8	9.0	V
		Negative Clamp	-0.4	-0.8	-1.20	V
V_{ESD}	ESD Withstand Voltage	Contact Discharge per IEC 61000-4-2 standard	± 15			kV
		Human Body Model, MIL-STD-883, Method 3015	± 30			kV
R_D	Diode Dynamic Resistance	Forward Conduction	0.8	1.1	1.4	Ω
		Reverse Conduction	2.2	2.7	3.2	Ω

Note 1: Human Body Model per MIL-STD-883, Method 3015, $C_{Discharge} = 100\text{pF}$, $R_{Discharge} = 1.5\text{K}\Omega$, V_N grounded.

Note 2: Standard IEC 61000-4-2 with $C_{Discharge} = 150\text{pF}$, $R_{Discharge} = 330\Omega$, V_N grounded.

Note 3: These measurements performed with no external capacitor on CH_x .

Performance Information

Diode Capacitance

Typical diode capacitance with respect to positive TVS cathode voltage (reverse voltage across the diode) is given in Diode Capacitance vs. Reverse Voltage .

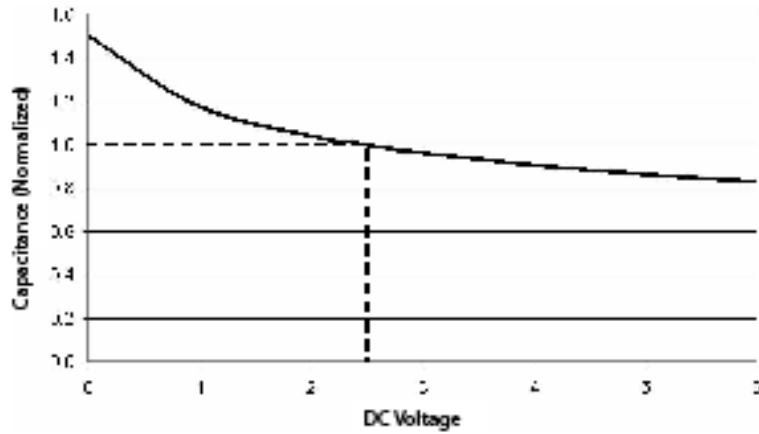


Figure 1. Diode Capacitance vs. Reverse Voltage

Typical High Current Diode Characteristics

Measurements are made in pulsed mode with a nominal pulse width of 0.7ms.

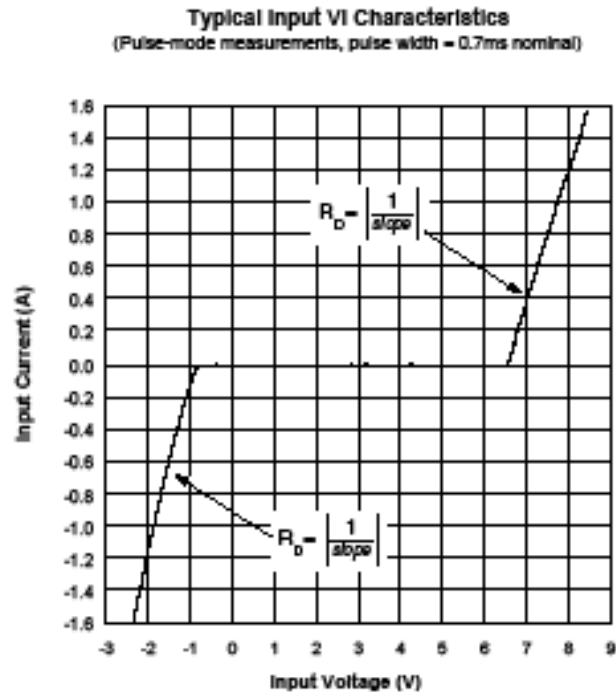


Figure 2. Input Voltage vs. Input Current Curve

CM1218

Mechanical Details

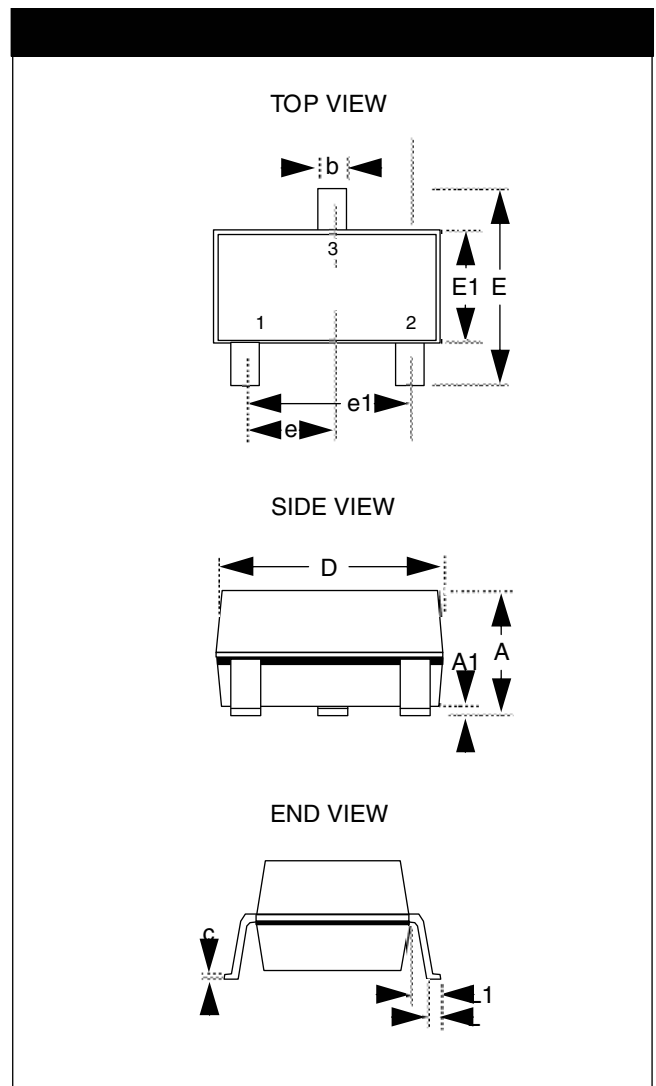
CM1218 devices are supplied in the following packages: SOT23-3, SOT23-5, SOT23-6, SOT143, SOT553, SOT563, SC70-3, SC70-5, and SC70-6.

SOT23-3 Mechanical Specifications

The CM1218-02ST/SO is supplied in a 3-pin SOT23 package. Dimensions are presented below.

For complete information on the SOT23-3, see the California Micro Devices SOT23 Package Information document.

PACKAGE DIMENSIONS				
Package	SOT23-3 (JEDEC name is TO-236)			
JEDEC No.	TO-236 (Var. AB)			
Pins/Leads	3			
Dimensions	Millimeters		Inches	
	Min	Max	Min	Max
A	0.89	1.12	0.0350	0.0441
A1	0.01	0.10	0.0004	0.0039
b	0.30	0.50	0.0118	0.0197
c	0.08	0.20	0.0031	0.0079
D	2.80	3.04	0.1102	0.1197
E	2.10	2.64	0.0827	0.1039
E1	1.20	1.40	0.0472	0.0551
e	0.95 BSC		0.0374 BSC	
e1	1.90 BSC		0.0748 BSC	
L	0.40	0.60	0.0157	0.0236
L1	0.60 REF		0.0236 REF	
# per tape and reel	3000 pieces			
Controlling dimension: millimeters				



Package Dimensions for SOT23-3

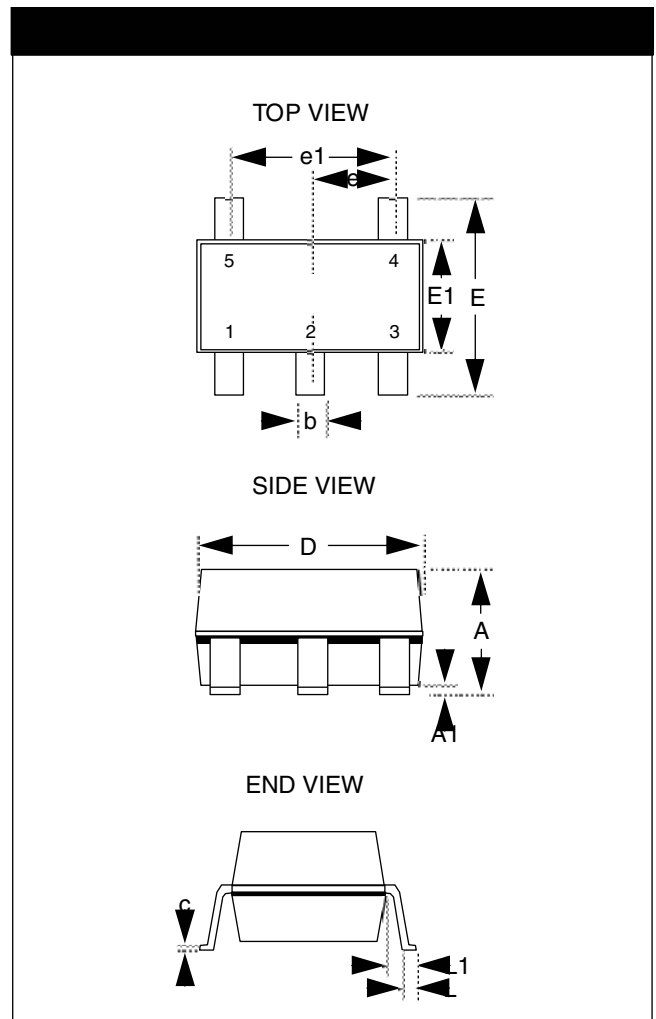
Mechanical Details (cont'd)

SOT23-5 Mechanical Specifications

The CM1218-04ST/SO is supplied in a 5-pin SOT23 package. Dimensions are presented below.

For complete information on the SOT23-5, see the California Micro Devices SOT23 Package Information document.

PACKAGE DIMENSIONS				
Package	SOT23-5			
JEDEC No.	MO-178 (Var. AA)			
Pins/Leads	5			
Dimensions	Millimeters		Inches	
	Min	Max	Min	Max
A	--	1.45	--	0.0571
A1	0.00	0.15	0.0000	0.0059
b	0.30	0.50	0.0118	0.0197
c	0.08	0.22	0.0031	0.0087
D	2.75	3.05	0.1083	0.1201
E	2.60	3.00	0.1024	0.1181
E1	1.45	1.75	0.0571	0.0689
e	0.95 BSC		0.0374 BSC	
e1	1.90 BSC		0.0748 BSC	
L	0.30	0.60	0.0118	0.0236
L1	0.60 REF		0.0236 REF	
# per tape and reel	3000 pieces			
Controlling dimension: millimeters				



Package Dimensions for SOT23-5

CM1218

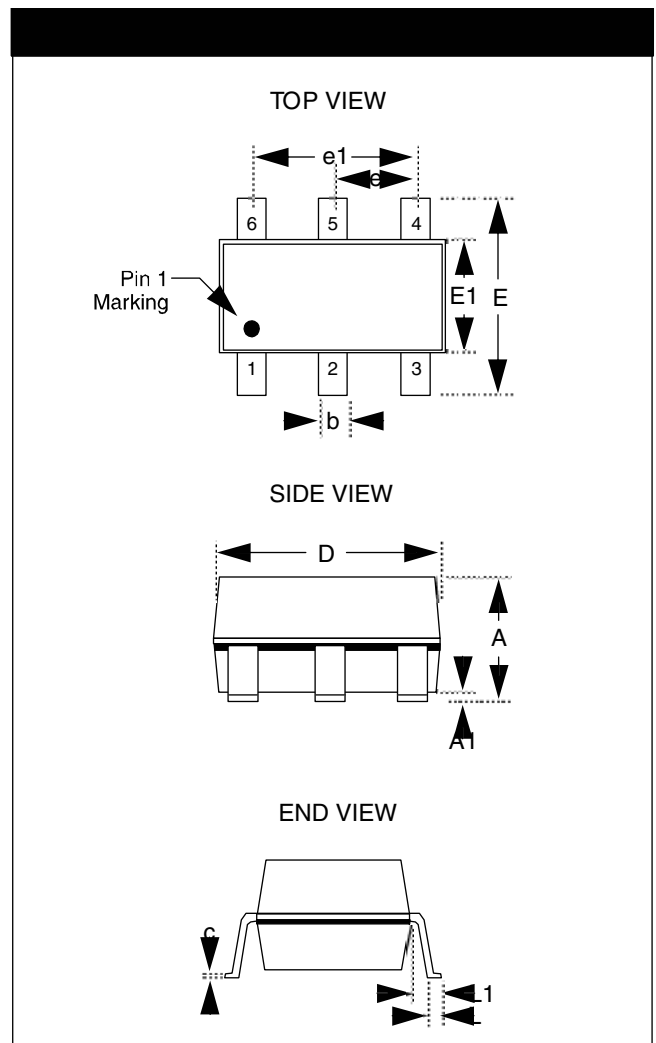
Mechanical Details

SOT23-6 Mechanical Specifications:

The CM1218-05ST/SO is supplied in a 6-pin SOT23 package. Dimensions are presented below.

For complete information on the SOT23-6, see the California Micro Devices SOT23 Package Information document.

PACKAGE DIMENSIONS				
Package	SOT23-6			
JEDEC No.	MO-178 (Var. AB)			
Pins/Leads	6			
Dimensions	Millimeters		Inches	
	Min	Max	Min	Max
A	--	1.45	--	0.0571
A1	0.00	0.15	0.0000	0.0059
b	0.30	0.50	0.0118	0.0197
c	0.08	0.22	0.0031	0.0087
D	2.75	3.05	0.1083	0.1201
E	2.60	3.00	0.1024	0.1181
E1	1.45	1.75	0.0571	0.0689
e	0.95 BSC		0.0374 BSC	
e1	1.90 BSC		0.0748 BSC	
L	0.30	0.60	0.0118	0.0236
L1	0.60 REF		0.0236REF	
# per tape and reel	3000 pieces			
Controlling dimension: millimeters				



Package Dimensions for SOT23-6

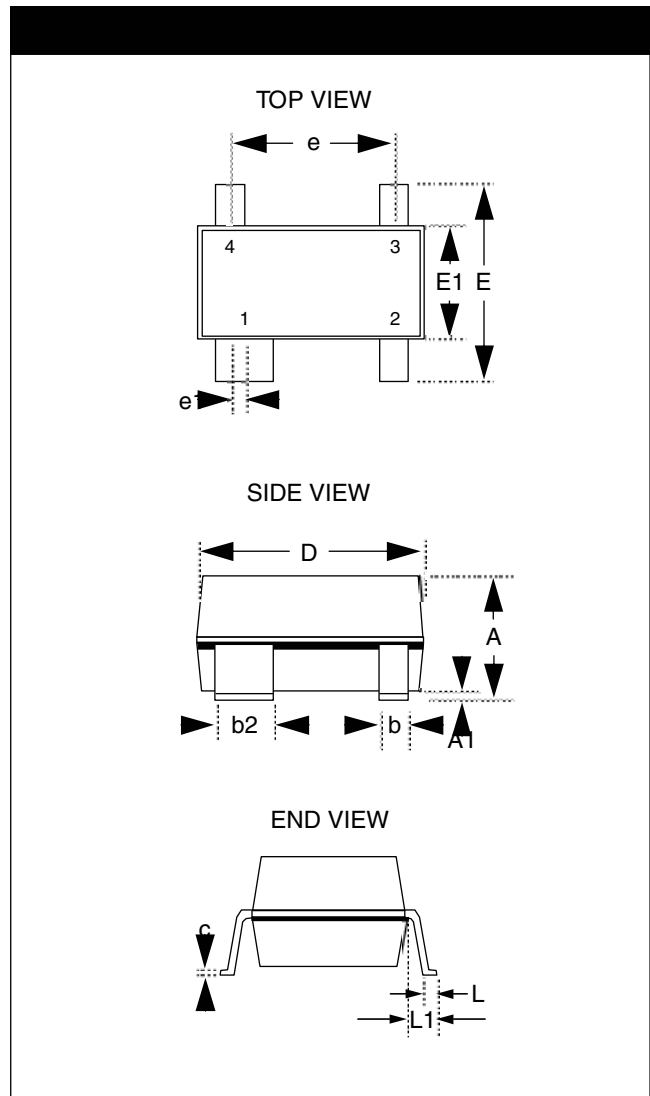
Mechanical Details

SOT143 Mechanical Specifications

The CM1218-03SS/SR is supplied in a 4-pin SOT143 package. Dimensions are presented below.

For complete information on the SOT143 package, see the California Micro Devices SOT143 Package Information document.

PACKAGE DIMENSIONS				
Package	SOT143			
Pins	4			
Dimensions	Millimeters		Inches	
	Min	Max	Min	Max
A	0.80	1.22	0.031	0.048
A1	0.05	0.15	0.002	0.006
b	0.30	0.50	0.012	0.019
b2	0.76	0.89	0.030	0.035
c	0.08	0.20	0.003	0.008
D	2.80	3.04	0.110	0.119
E	2.10	2.64	0.082	0.103
E1	1.20	1.40	0.047	0.055
e	1.92 BSC		0.075 BSC	
e1	0.20 BSC		0.008 BSC	
L	0.4	0.6	0.016	0.024
L1	0.54 REF		0.021 REF	
# per tape and reel	3000 pieces			
Controlling dimension: millimeters				



Package Dimensions for SOT143.

CM1218

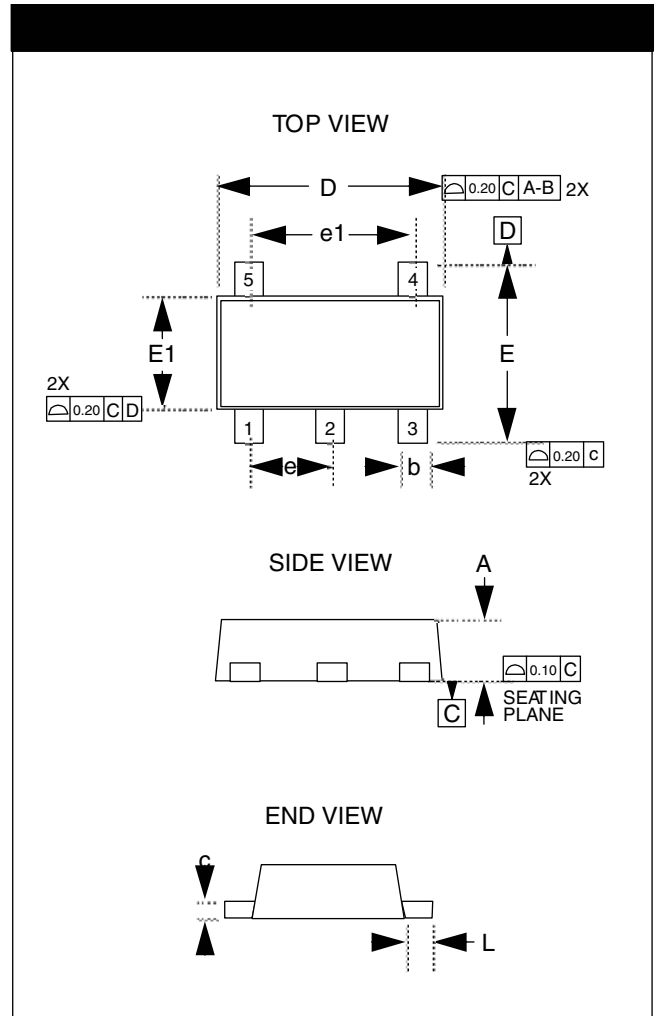
Mechanical Details (continued)

SOT-553 Mechanical Specifications

The CM1218-04SE is supplied in a 5-pin SOT-553 package. CM1218 Dimensions are presented below.

For complete information on the SOT-553, see the California Micro Devices SOT Package Information document.

PACKAGE DIMENSIONS						
Package	SOT-553					
Leads	5					
Dim.	Millimeters			Inches		
	Min	Nom	Max	Min	Nom	Max
A	0.50	0.55	0.60	0.020	0.022	0.024
b	0.17	0.22	0.27	0.007	0.009	0.011
c	0.08	0.13	0.18	0.003	0.005	0.007
D	1.60 BSC			0.063 BSC		
E	1.60 BSC			0.063 BSC		
E1	1.20 BSC			0.047 BSC		
e	0.50 BSC			0.020 BSC		
e1	1.00 BSC			0.040 BSC		
L	0.20 BSC			0.008 BSC		
# per tape and reel	5000 pieces					
Controlling dimension: millimeters						



Package Dimensions for SOT-553.

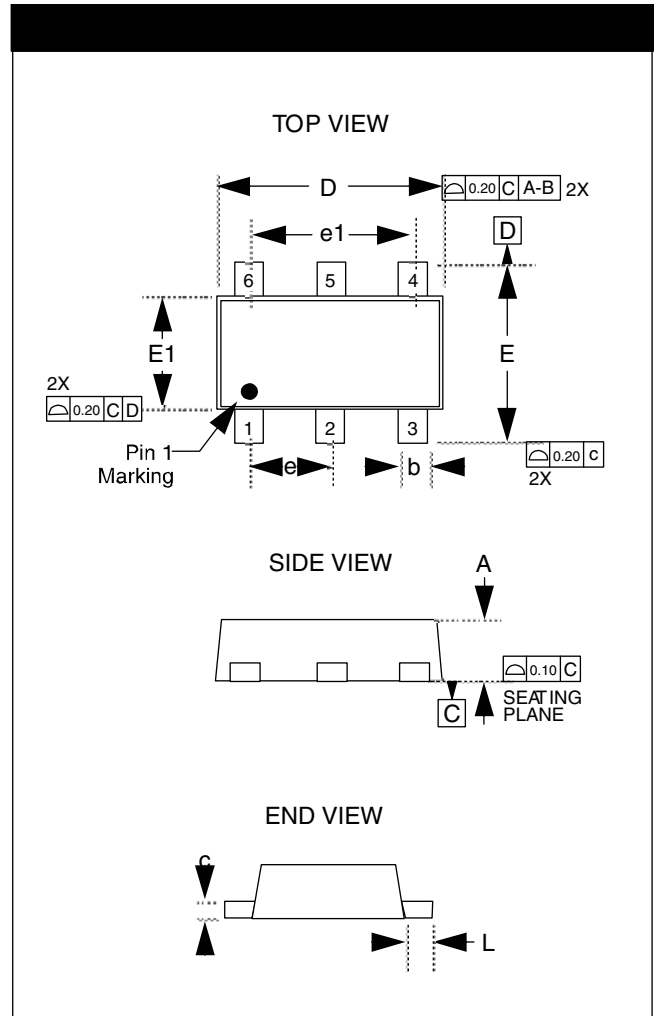
Mechanical Details (continued)

SOT-563 Mechanical Specifications

The CM1218-05SE is supplied in a 5-pin SOT-563 package. Dimensions are presented below.

For complete information on the SOT-563, see the California Micro Devices SOT Package Information document.

PACKAGE DIMENSIONS						
Package	SOT-563					
Leads	6					
Dim.	Millimeters			Inches		
	Min	Nom	Max	Min	Nom	Max
A	0.50	0.55	0.60	0.020	0.022	0.024
b	0.17	0.22	0.27	0.007	0.009	0.011
c	0.08	0.13	0.18	0.003	0.005	0.007
D	1.60 BSC			0.063 BSC		
E	1.60 BSC			0.063 BSC		
E1	1.20 BSC			0.047 BSC		
e	0.50 BSC			0.020 BSC		
e1	1.00 BSC			0.040 BSC		
L	0.20 BSC			0.008 BSC		
# per tape and reel	5000 pieces					
Controlling dimension: millimeters						



Package Dimensions for SOT-563.

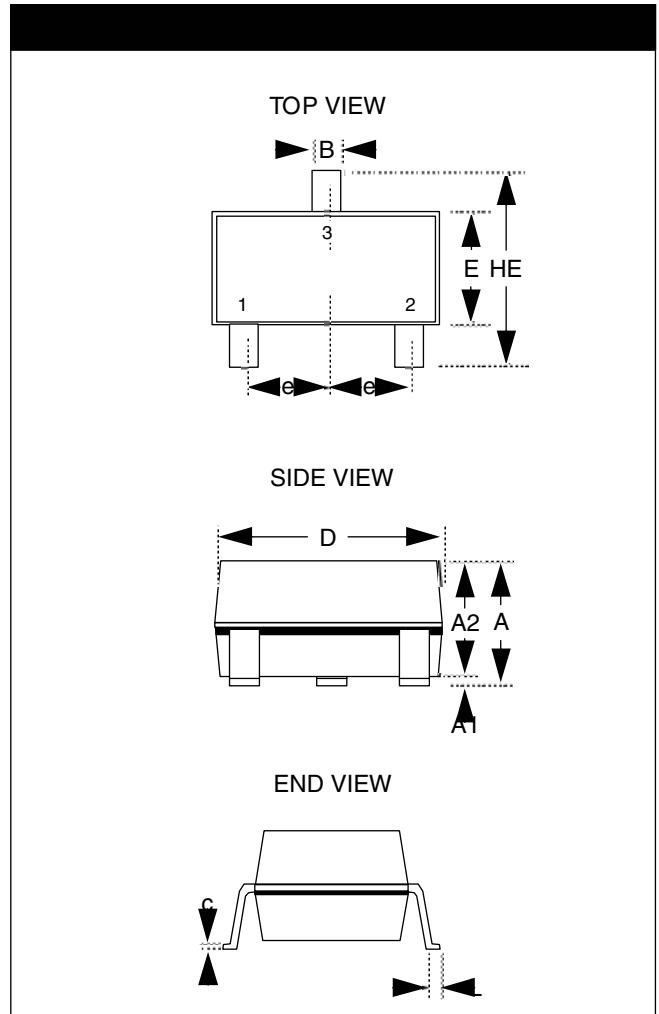
Mechanical Details (continued)

SC70-3 Mechanical Specifications

The CM1218-02SC/S7 is supplied in a 3-pin SC70 package. Dimensions are presented below.

For complete information on the SC70-3, see the California Micro Devices SC70 Package Information document.

PACKAGE DIMENSIONS		
Package	SC70-3 (JEDEC name is MO-203 Issue A)	
Pins	3	
Dimensions	Millimeters	
	Min	Max
A	0.80	1.10
A1	0.00	0.10
A2	0.70	1.00
B	0.15	0.30
c	0.08	0.25
D	1.85	2.25
E	1.15	1.35
e	0.65 BSC	
HE	2.00	2.40
L	0.26	0.46
# / tape and reel	3000 pieces	
Controlling dimension: millimeters		



Package Dimensions for SC70-3.

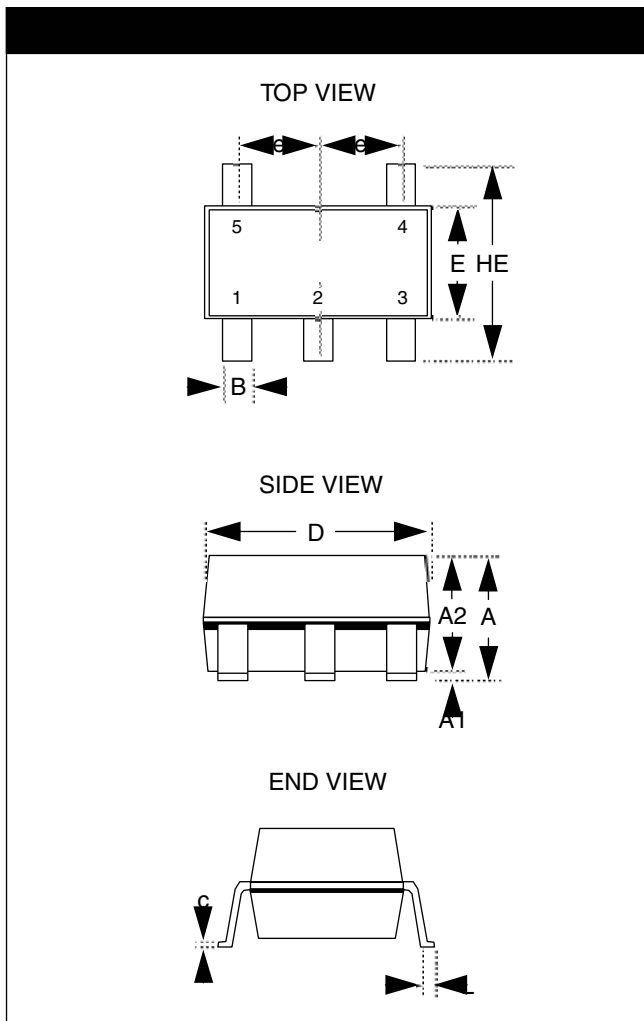
Mechanical Details (continued)

SC70-5 Mechanical Specifications:

The CM1218-04SC/S7 is supplied in a 5-pin SC70 package. Dimensions are presented below.

For complete information on the SC70-5, see the California Micro Devices SC70 Package Information document.

PACKAGE DIMENSIONS		
Package	SC70-5 (JEDEC name is MO-203 Issue A)	
Pins	5	
Dimensions	Millimeters	
	Min	Max
A	0.80	1.10
A1	0.00	0.10
A2	0.70	1.00
B	0.15	0.30
c	0.08	0.25
D	1.85	2.25
E	1.15	1.35
e	0.65 BSC	
HE	2.00	2.40
L	0.26	0.46
# / tape and reel	3000 pieces	
Controlling dimension: millimeters		



Package Dimensions for SC70-5.

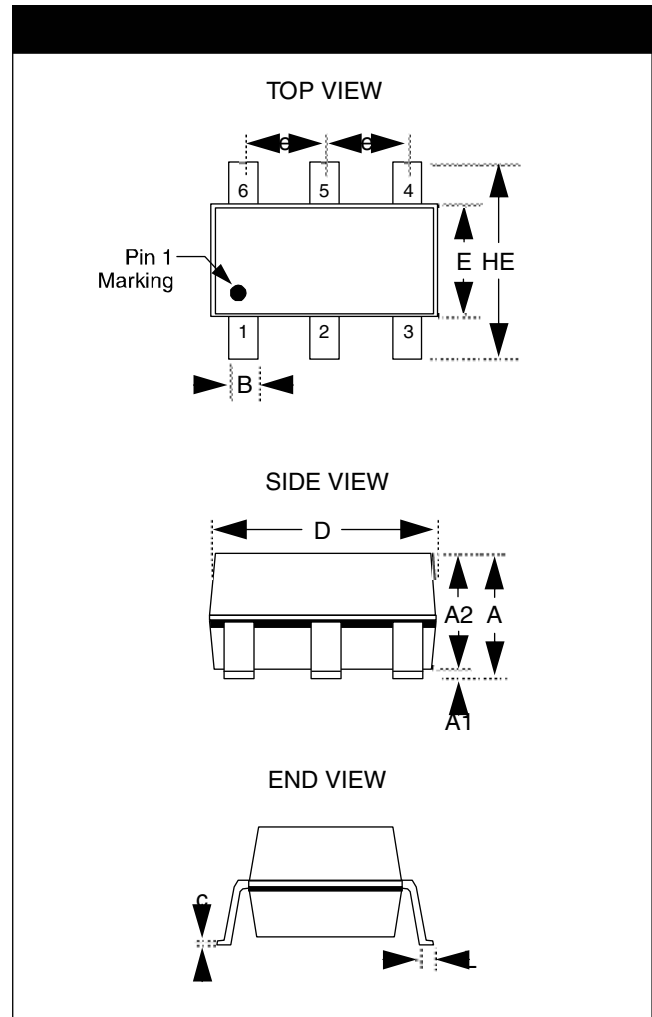
Mechanical Details (continued)

SC70-6 Mechanical Specifications:


The CM1218-05SC/S7 is supplied in a 6-pin SC70 package. Dimensions are presented below.

For complete information on the SC70-6, see the California Micro Devices SC70 Package Information document.

PACKAGE DIMENSIONS		
Package	SC70-6 (JEDEC name is MO-203 Issue A)	
Pins	6	
Dimensions	Millimeters	
	Min	Max
A	0.80	1.10
A1	0.00	0.10
A2	0.70	1.00
B	0.15	0.30
c	0.08	0.25
D	1.85	2.25
E	1.15	1.35
e	0.65 BSC	
HE	2.00	2.40
L	0.26	0.46
# / tape and reel	3000 pieces	
Controlling dimension: millimeters		



Package Dimensions for SC70-6.

ON Semiconductor and  are registered trademarks of Semiconductor Components Industries, LLC (SCILLC). SCILLC reserves the right to make changes without further notice to any products herein. SCILLC makes no warranty, representation or guarantee regarding the suitability of its products for any particular purpose, nor does SCILLC assume any liability arising out of the application or use of any product or circuit, and specifically disclaims any and all liability, including without limitation special, consequential or incidental damages. "Typical" parameters which may be provided in SCILLC data sheets and/or specifications can and do vary in different applications and actual performance may vary over time. All operating parameters, including "Typicals" must be validated for each customer application by customer's technical experts. SCILLC does not convey any license under its patent rights nor the rights of others. SCILLC products are not designed, intended, or authorized for use as components in systems intended for surgical implant into the body, or other applications intended to support or sustain life, or for any other application in which the failure of the SCILLC product could create a situation where personal injury or death may occur. Should Buyer purchase or use SCILLC products for any such unintended or unauthorized application, Buyer shall indemnify and hold SCILLC and its officers, employees, subsidiaries, affiliates, and distributors harmless against all claims, costs, damages, and expenses, and reasonable attorney fees arising out of, directly or indirectly, any claim of personal injury or death associated with such unintended or unauthorized use, even if such claim alleges that SCILLC was negligent regarding the design or manufacture of the part. SCILLC is an Equal Opportunity/Affirmative Action Employer. This literature is subject to all applicable copyright laws and is not for resale in any manner.

PUBLICATION ORDERING INFORMATION

LITERATURE FULFILLMENT:

Literature Distribution Center for ON Semiconductor
P.O. Box 5163, Denver, Colorado 80217 USA
Phone: **303-675-2175** or **800-344-3860 Toll Free USA/Canada**
Fax: **303-675-2176** or **800-344-3867 Toll Free USA/Canada**
Email: orderlit@onsemi.com

N. American Technical Support: **800-282-9855**

Toll Free USA/Canada

Europe, Middle East and Africa Technical Support:

Phone: 421 33 790 2910

Japan Customer Focus Center

Phone: 81-3-5773-3850

ON Semiconductor Website: www.onsemi.com

Order Literature: <http://www.onsemi.com/orderlit>

For additional information, please contact your local Sales Representative