

Preliminary data

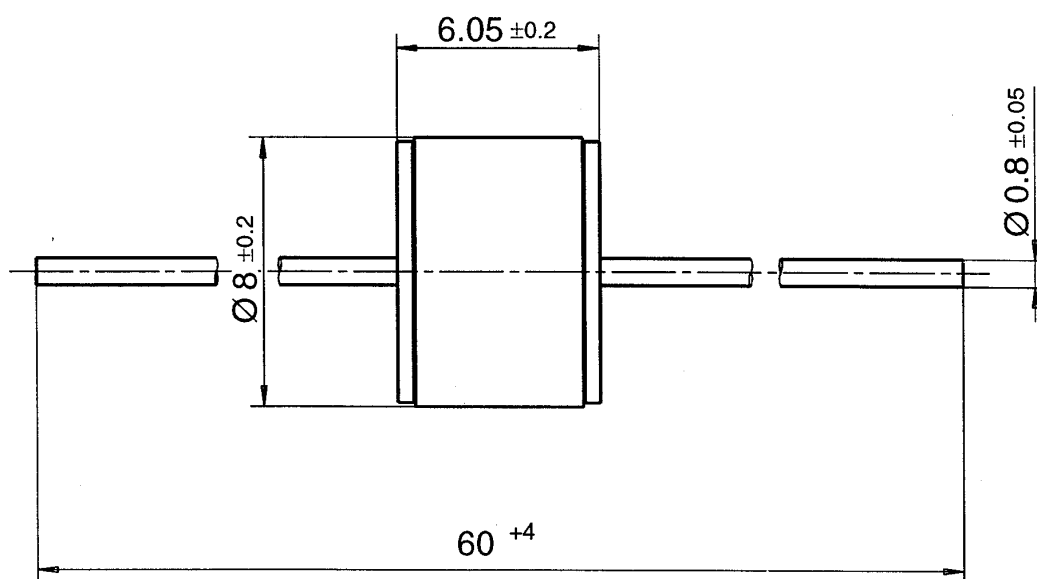
DC spark-over voltage ¹⁾²⁾	350 ... 900	V
Impulse spark-over voltage at 100 V/μs - for 99 % of measured values - typical values of distribution	< 1100 < 1000	V V
at 1 kV/μs - for 99 % of measured values - typical values of distribution	< 1400 < 1300	V V
Insulation resistance at 300 V _{dc}	> 1	GΩ
Capacitance at 1 MHz	< 1	pF
Service life in customer circuit Unit must meet	1000	h
Insulation resistance DC spark-over voltage after 250, 500, 750, and 1000 h	< 1 270 ... 1000	GΩ V
Arc voltage at 1 A Glow to arc transition current Glow voltage	~ 10 < 100 ~ 60	V A V
Weight	~ 1.5	g
Operation and storage temperature	-40 ... +90	°C
Climatic category (IEC 60068-1)	40/ 90/ 21	
Marking, red	EPCOS 600 YYMM O CS - Series 600 - Nominal voltage YY - Year of production MM - Month of production O - Non radioactive	

¹⁾ At delivery AQL 0.65 level II, DIN ISO 2859

²⁾ In ionized mode

Terms in accordance with ITU-T Rec. K.12 and DIN 57845/VDE0845

Preliminary data



Not to scale

Dimensions in mm

Non controlled document

© EPCOS AG 2002. Reproduction, publication and dissemination of this data sheet, enclosures hereto and the information contained therein without EPCOS' prior express consent is prohibited.

Purchase orders are subject to the General Conditions for the Supply of Products and Services of the Electrical and Electronics Industry recommended by the ZVEI (German Electrical and Electronic Manufacturers' Association), unless otherwise agreed.