

Lower Current Three Phase RFI Filters

AYO Series



UL Recognized
CSA Certified
VDE Approved

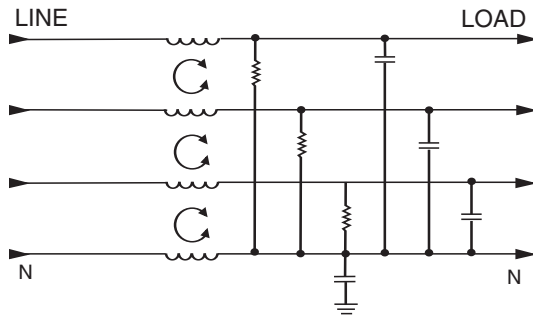


AYO Series

The AYO series filters are designed for 3-phase, four wire, WYE applications providing filtering in each of the three lines plus neutral.

These lower current RFI filters provide filtering to industrial 3-phase applications.

Electrical Schematic



Resistor location for reference only.

Specifications

Maximum leakage current, each line-to-ground:

	3, 6, 10A	20A
@ 120 VAC 60 Hz:	2.0 mA	3.5mA
@ 250 VAC 50 Hz:	3.0 mA	5.5mA

Hipot rating (one minute):

line-to-ground	1500 VAC
line-to-line	1450 VDC

Operating frequency:

50/60 Hz

Rated voltage (max.):

phase-to-phase	440 VAC
phase-to-neutral/ground	250 VAC

Rated current:

3AYO1	3A
6AYO1	6A
10AYO1	10A
20AYO1	20A

Minimum insertion loss in dB:

Line-to-ground in 50 ohm circuit

Current Rating	Frequency-MHz					
	.15	.5	1	5	10	30
3A	12	23	29	33	38	35
6A	7	23	30	40	50	30
10A	-	-	5	16	28	15
20A	-	7	11	32	23	12

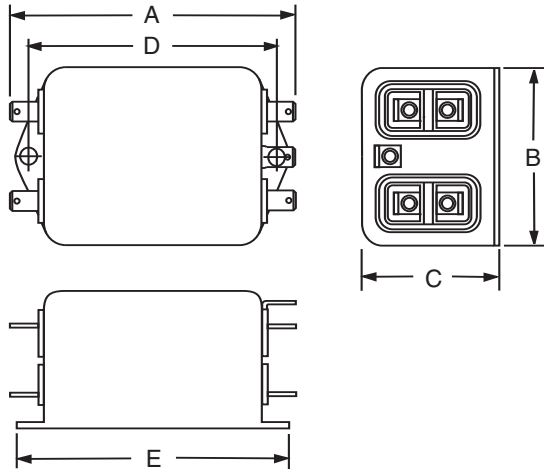
Line-to-line in 50 ohm circuit

Current Rating	Frequency-MHz					
	.15	.5	1	5	10	30
3A	-	12	20	50	35	30
6A	10	18	24	31	28	28
10A	10	18	24	42	28	22
20A	10	18	24	42	38	23

Lower Current Three Phase RFI Filters (Continued)

AYO Series

Case Style



Typical dimensions:
 Terminals: .250 [6.35] (9)
 Holes: .07 [1.8] Dia.(8)
 Slot: .07 x .16 [1.8 x 4.1]
 Mounting holes: .188 [4.78] Dia.(2)

Case Dimensions

Part No.	A (max)	B (max)	C (max)	D $\pm .015$ $\pm .38$	E (max)
AYO	3.37 <i>85.6</i>	2.07 <i>52.5</i>	1.53 <i>38.7</i>	2.938 <i>74.63</i>	3.35 <i>85.1</i>

Part Numbers

3AYO1
 6AYO1
 10AYO1
 20AYO1