

Interconnection Cord with IEC Plug A, Angled



new

**Description**

Interconnection Cord, Protection class I, Pin temperature 70 °C, Cable

**Approvals**

- VDE License Number: 115739
- UL License Number: E45116
- CSA License Number: 1020530

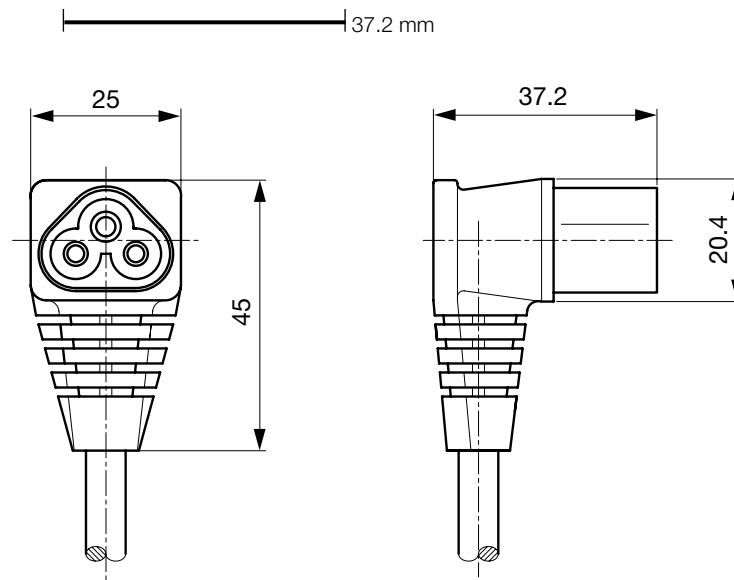
**References**[General Product Information](#)**Weblinks**

[Approvals](#), [RoHS](#), [CHINA-RoHS](#), [Mating Connectors](#), [e-Store](#), [Distributor-Stock-Check](#), [Accessories](#)

**Technical Data**

Ratings IEC	2.5 A / 250 VAC; 50 Hz
Ratings UL/CSA	2.5 A / 250 VAC; 60 Hz
Dielectric Strength	> 4 kVDC between L-N > 2 kVAC between L/N-PE (1 min/50 Hz)
Allowable Operation Temp.	-25 °C to 70 °C
Degree of Protection	from front side IP 20 acc. to IEC 60529
Protection Class	Suitable for appliances with protection class 1 acc. to IEC 61140
Terminal	moulded
Material: Housing	PVC, black or grey

Plug	A acc. to IEC/EN 60320-1 UL 498, CSA C22.2 no. 42 (for cold conditions) pin-temperature 70 °C, 2.5 A, Protection Class 1
------	---

**Dimensions**

## Config. Code

Product Configurator

### 2705 - R - Type - D - Length

The characters are placeholders for the correspondingly keys of selections from the key tables.  
Typ steht für die Dose bzw. 2. Seite, Länge ist die Leitungslänge in mm.

#### 2705 - R - Type - D - Length = cord type

cord type	Configuration key
H03VV-F 3G0,75mm <sup>2</sup>	C
H05VV-F 3G0,75mm <sup>2</sup>	G
SVT 3x18AWG	N
SJT 3x18AWG	P

Cord definition is detailed in general product information XXX

#### 2705 - R - Type - D - Length = Cord end 2

Cord end 2
zzzz, 2512

#### 2705 - R - Type - D - Length = Color

Color	Configuration key
jet black; RAL9005	A
silver grey; RAL7001	B
standard color: black	

#### 2705 - R - Type - D - Length = Cord length

Cord length
zzzz, 000500, 001000, 001500, 002000, 002500, 003000, 005000
Cord length in mm

## Mating Outlets/Connectors

Category / Description



[Connector Overview complete](#)

IEC Appliance Outlet B, Screw-on Mounting, Front Side, Solder Terminal	5888
--	------

[Connector further types to 2705](#)



[Power Cord Overview complete](#)

Power Cord with IEC Connector C5, Angled	2512
Power Cord with IEC Connector C5, Straight	2530

[Power Cord further types to 2705](#)