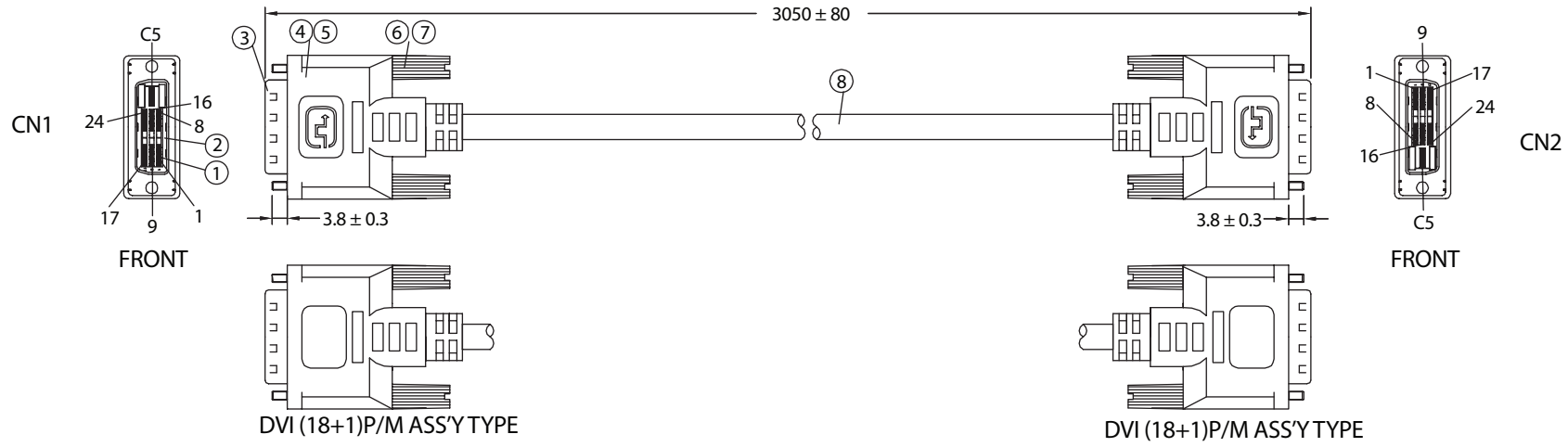
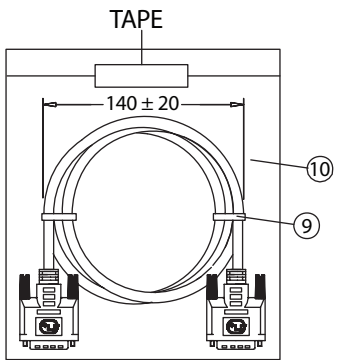


| REVISION | | | |
|----------|-------------|------|----------|
| REV. | DESCRIPTION | DATE | APPROVED |
| | | | |
| | | | |



PIN OUT



| CN1 | CN2 | CN1 | CN2 |
|------------|-----|---------------|-------|
| 1 — WHITE | 1 | 15 — BLACK | 15 |
| 2 — ORANGE | 2 | 16 — BROWN | 16 |
| 3 — DRAIN | 3 | 17 — WHITE | 17 |
| 6 — WHITE | 6 | 18 — YELLOW | 18 |
| 7 — YELLOW | 7 | 19 — DRAIN | 19 |
| 9 — WHITE | 9 | 23 — WHITE | 23 |
| 10 — BLACK | 10 | 24 — RED | 24 |
| 11 — DRAIN | 11 | 22 — DRAIN | 22 |
| 14 — RED | 14 | SHELL — BRAID | SHELL |

NOTES:

- CABLE: UL20276 28AWG
(28AWGx1P+DW+AL)x4P+28AWGx3C+28AWGx1P+MYLAR+FOIL+BD
OUTER JACKET PVC OD: 7.0 ± 0.2, COLOR: BLACK
PRINTING: "E166307 AWM 20276 28AWG 80°C 30V VW-1
LOW VOLTAGE COMPUTER CABLE"
- CONNECTORS: DVI(18+1)P/M-DVI(18+1)P/M
- HOOD: ASS'Y TYPE, COVER COLOR: BLACK
- CABLE ELECTRICAL TEST:
 - <1>.100% OPEN SHORT & MISS WIRE TEST
 - <2>.INSULATION RESISTANCE: DC400V 10M ohm MIN.
 - <3>.CONDUCTOR RESISTANCE: 3 ohm MAX.
- PACKING: 1PC/POLYBAG

| No. | PARTS NAME | SPECIFICATION STANDARD | QTY | REMARKS |
|-----|-------------------------|-------------------------------|-----|---------|
| ① | DVI (18+1)P/M-CONTACT | BRASS/GOLD PLATED SOLDER TYPE | 38 | |
| ② | DVI (18+1)P/M-INSULATOR | THERMOPLASTIC/BLACK UL 94V-0 | 2 | |
| ③ | DVI (18+1)P/M-SHELL | STEEL NICKEL PLATED | 2 | |
| ④ | CAN | STEEL TIN PLATED | 2 | |
| ⑤ | DVI (18+1)P/M-COVER | 45P PVC/COLOR: BLACK | 2 | |
| ⑥ | THUMB SCREW | #4-40 2.8*45, NICKEL PLATED | 4 | |
| ⑦ | SCREW-MOLD | 35P PVC/COLOR: BLACK | 4 | |
| ⑧ | CABLE DVI 18+1 UL20276 | KL03006ABK01A | 1 | |
| ⑨ | MINI TIE | PE/BLACK | 2 | |
| ⑩ | POLYBAG | PE/0.08x200x250 | 1 | |

| Dim range (mm) | Tolerance +/- (mm) | Qualtek Electronics Corp. WCI DIVISION | | |
|----------------|--------------------|---|----------------|-----------------|
| | | Part Number: 1321023-10 | | |
| 0-1 | 0.15 | Description: DVI (18+1)P/M - DVI (18+1)P/M | | |
| 1-6 | 0.20 | | | |
| 6-18 | 0.30 | | | |
| 18-50 | 0.50 | | | |
| 50-120 | 0.70 | Drawn / Date | Checked / Date | Approved / Date |
| 120-250 | 0.90 | B. Grubb 01-25-07 | 01-25-07 | JJH / 01-25-07 |
| 250-500 | 1.20 | | | |