

AC Axial Fans

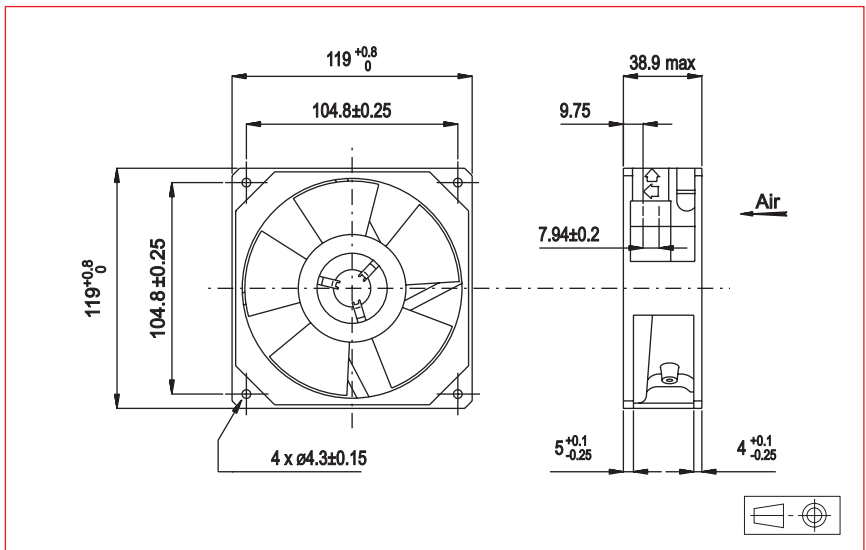


Approvals



Life expectancy

L-10 LIFE AT 40°C:
80 000 hours

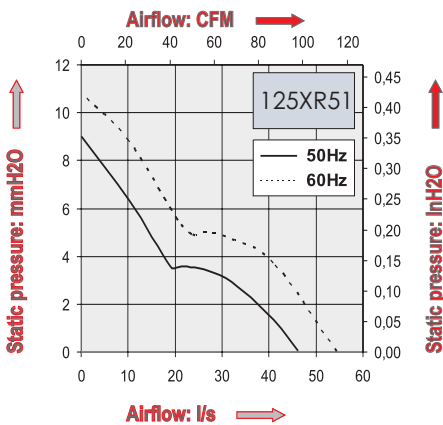


AC Motor

Electrical protection: impedance protected
Housing material: aluminium
Impeller material: plastic UL 94 VO
Weight: 560 g
Bearing system: ball bearings

Available with:

- Flying leads
- Speed sensor



Part Number	Nominal voltage	Airflow	Noise level	Nominal speed	Frequency	Phases	Capacitor	Input Power	Nominal current	Starting current	Connection type		Operating temperature	
	V										l/s	dB(A)	RPM	Hz
125XR5182002	115	44	43	2800	50	1		16	200	310		X	-54	100
		53	48	3200	60	1		15	180	260		X	-54	100
125XR5181002	208-240	44	43	2800	50	1		18	125	170		X	-54	100
		53	48	3200	60	1		15	105	150		X	-54	100

Additional versions:

Salt spray protected - shock and vibration protected - marine specifications
IP54: consult factory

Accessories:

Refer to Accessories leaflet