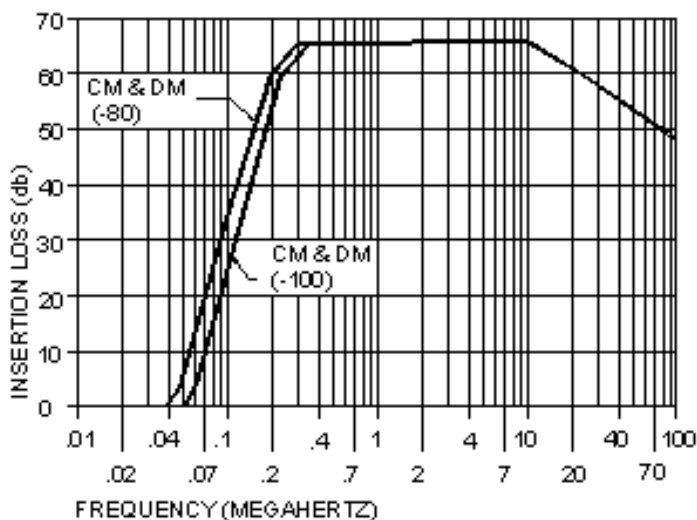
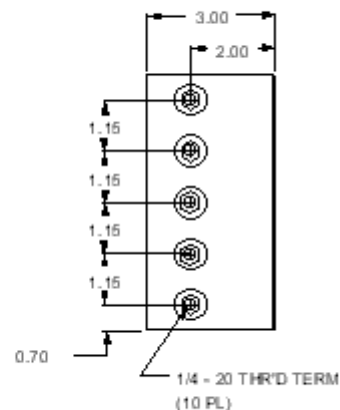
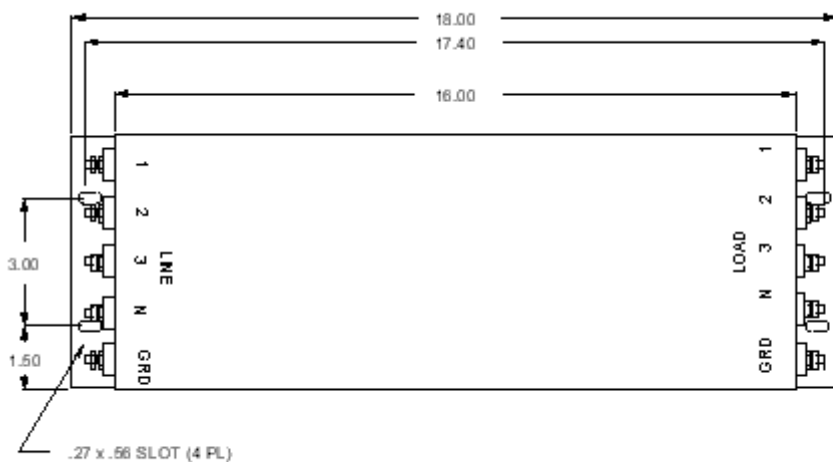
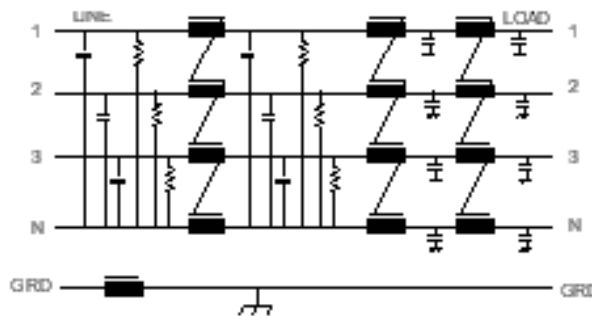




1208 SERIES

Operating Voltage= 250 / 480 VAC 3 PH Wye
 Operating Current Max= 80, 100amp
 Operating Frequency= 50-60Hz
 Temperature Range= -40 to 50 deg. C
 Storage Temperature = -55 to 85 deg. C
 Die Withstand (Ph to Case)= 1500V~ for 1 Min
 Die Withstand (Ph to Ph)= 1500Vdc for 1 min
 Leakage Current = 10 mA @ 250 VAC, 60Hz
 Discharge after 1.0 sec.= 34V Max
 JMK P/N Ordering Information:
 80 amp MM-1208-80
 100 amp MM-1208-100



This filter series is intended to provide very good common mode and differential insertion loss for high current 3 phase Wye systems. The compact size makes it easy to fit into the rear of a 19.0in equipment rack leaving more space for system hardware. The standard construction is more than adequate for most installation environments. Should your application require operation in a more severe environment JMK's engineering staff can easily modify the mechanical construction to meet the most severe design criteria.