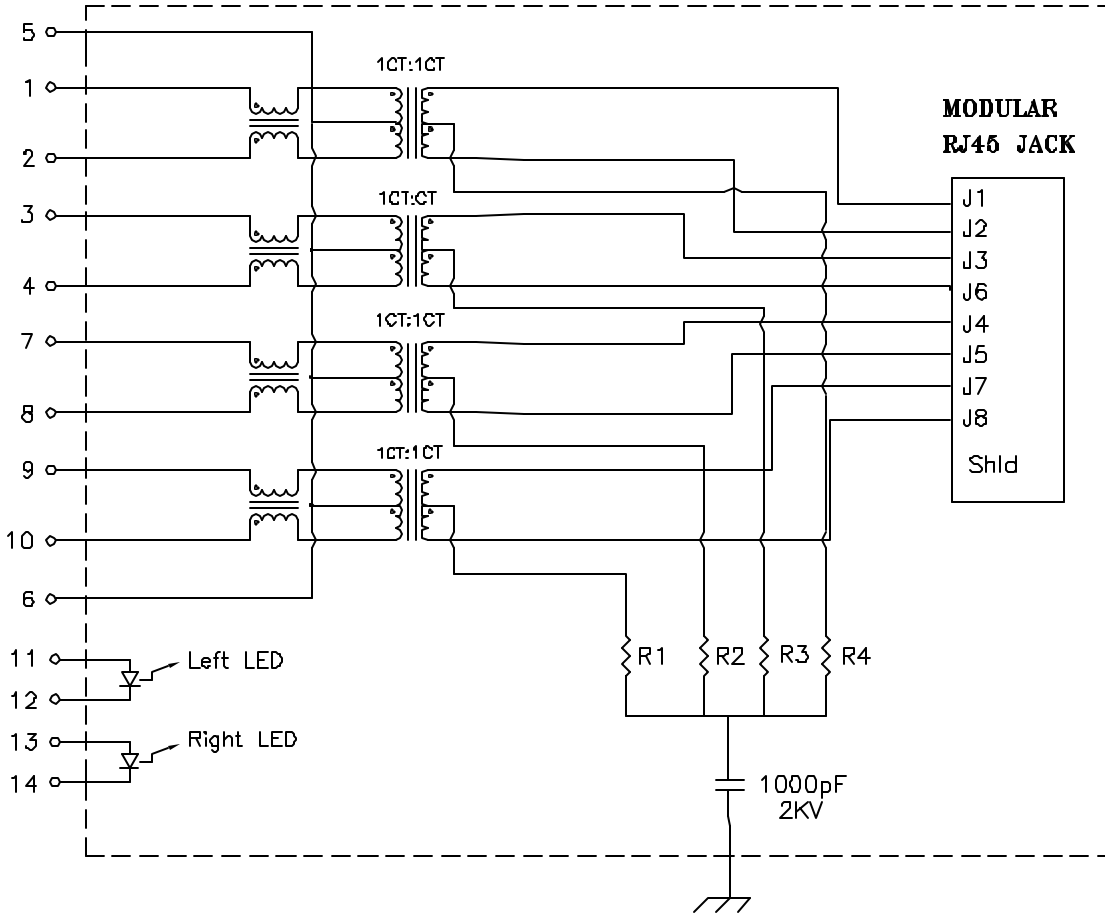


Schematic: (SINGLE PORT)



R1,R2,R3,R4: 75 ±1% OHMS

Electrical Specifications: @25°C

ISOLATION: 150D Vrms
 TURNS RATIO: (PRI/SEC) 1CT:1CT ±2%
 OCL: 350uH MIN @100KHz 100mV 8mADC
 Rise Time: 1.75ns Max.
 INSERTION LOSS: -0.8dB MAX @1MHz-100MHz
 -1.2dB MAX @100MHz-125MHz
 RETURN LOSS: -18dB Min @1MHz-40MHz
 -12dB Min @40MHz-100MHz
 Common to Differential Mode Rejection:
 -35dB Min @100KHz-100MHz
 CMRR: -30dB Min @100KHz-100MHz
 Crosstalk: -33dB Min @30MHz

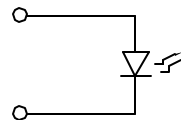
Complete the Combo P/N as follows:

Replace 'x' & 'u' in the part number with one of the LED color letters:

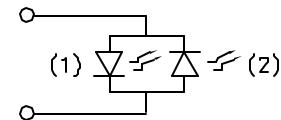
Y=Yellow
 G=Green
 A=Amber
 R=Red
 'x' = Left LED Color
 'u' = Right LED Color

C=Green(1)/Amber(2) Bicolor
 D=Amber(1)/Green(2) Bicolor
 M=Green(1)/Yellow(2) Bicolor
 N=Yellow(1)/Green(2) Bicolor
 P=Red(1)/Green(2) Bicolor
 Q=Green(1)/Red(2) Bicolor

Single Color LED:



Bi-Color LED:



Notes:

- Solderability: Leads shall meet MIL-STD-202, Method 208D for solderability.
- Flammability: UL94V-0
- ASTM oxygen index > 28%
- Insulation System: Class F 155°C, UL file E151558
- Operating Temperature Range: All listed parameters are to be within tolerance from 0°C to +70°C
- Storage Temperature Range: -55°C to +125°C
- Aqueous wash compatible

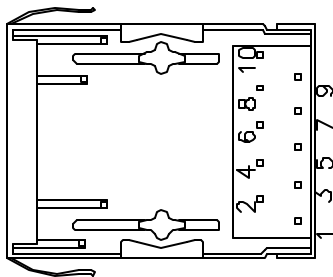
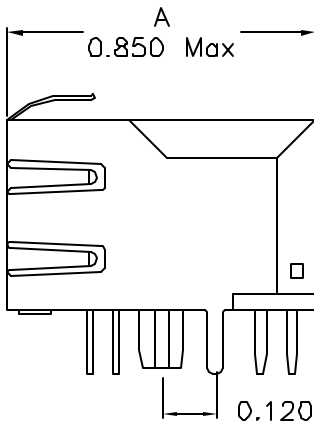
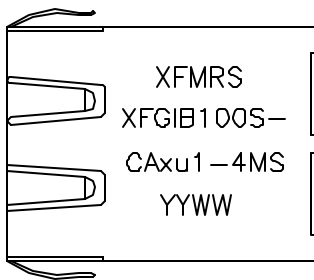
DOC. REV: A/1

PROPRIETARY:

Document is the property of XFMRs Group & is not allowed to be duplicated without authorization.

XFMRs Inc.	Title: SINGLE PORT COMBO		
	UNLESS OTHERWISE SPECIFIED	P/N: XFGIB100S-CAXu1-4MS	REV. A
TOLERANCES: .xxx ±0.010	DWN.	刘鹏	Jun-14-04
Dimensions in Inch	CHK.	李小锋	Jun-14-04
SHEET 2 OF 2	APP.	J Ng	Jun-14-04

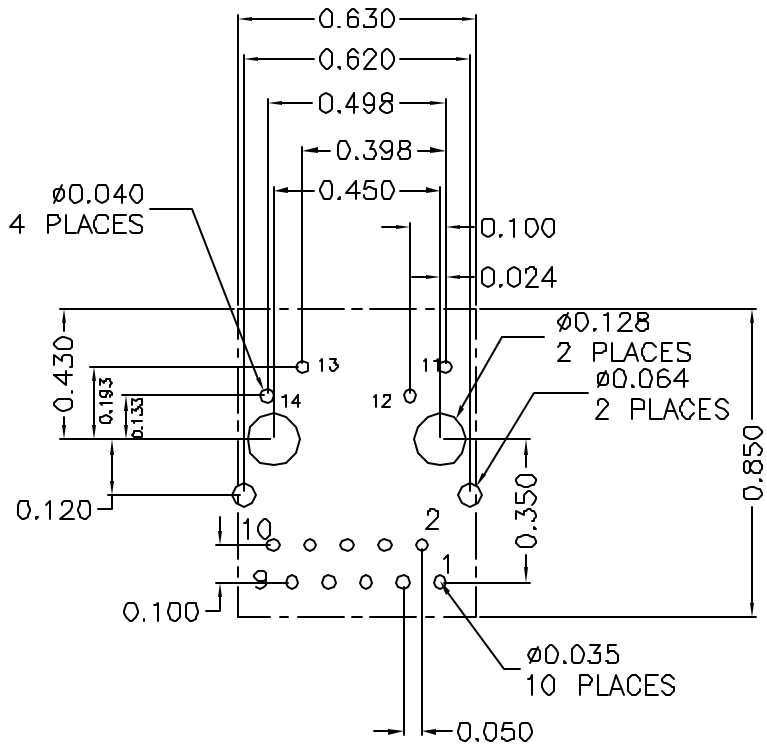
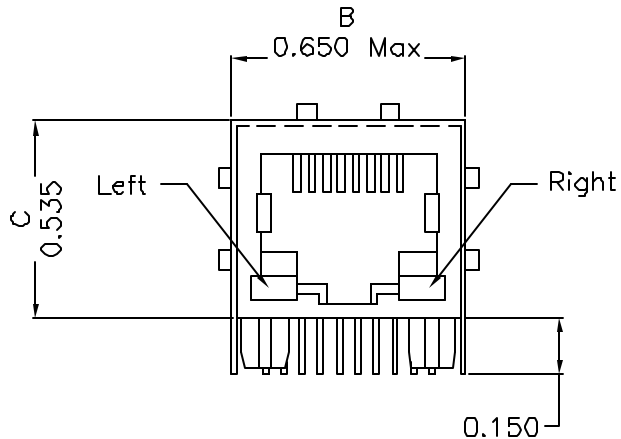
Mechanical Dimensions:



(BOTTOM VIEW)

Mounting Pattern:

(COMP SIDE)



DOC. REV: A/1

XFMRS Inc.		Title: Mechanical Dimensions For CAxu1-4MS Series	
UNLESS OTHERWISE SPECIFIED	P/N: XFGIB100S-CAxu1-4MS	REV. A	
TOLERANCES:	DWN.	刘 鹏	Jun-14-04
.xxx ±0.010	CHK.	李小锋	Jun-14-04
Dimensions in Inch	APP.	J Ng	Jun-14-04
SHEET 2 OF 2			

PROPRIETARY:

Document is the property of XFMRS Group & is not allowed to be duplicated without authorization.