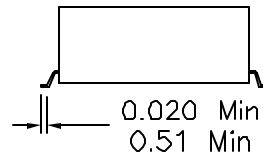
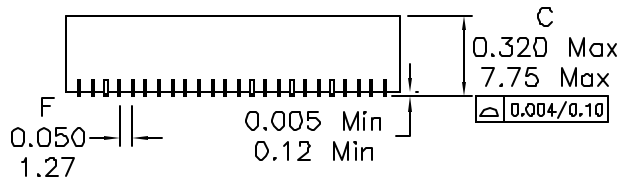
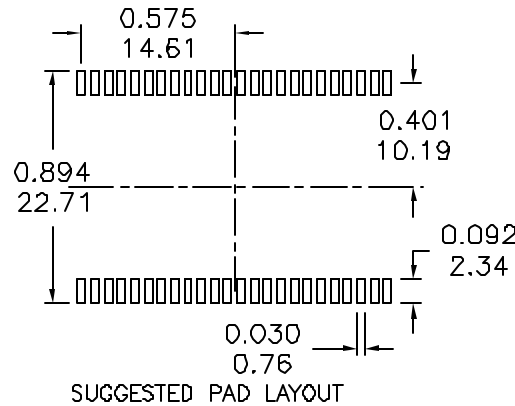
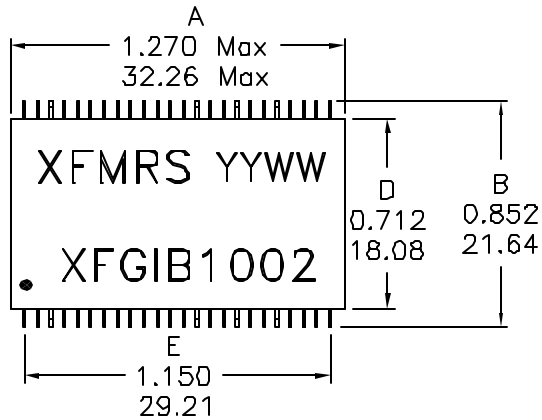
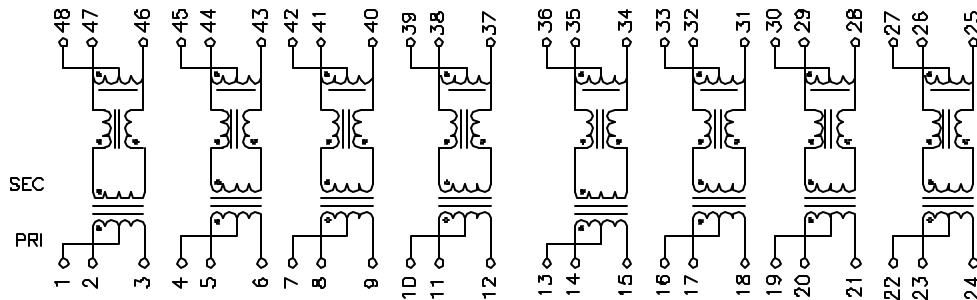


### 1. Dimensions:



### 2. Schematic:



DOC. REV: A/2

### 3. Electrical Specifications: @25°C

ISOLATION: 1500 Vrms

TURNS RATIO: (PRI/SEC) 1CT:1CT ±2%

OCL: 350uH MIN @100KHz 100mV 8mADC

Rise Time: 1.75ns Max.

INSERTION LOSS: -1.0dB MAX @1MHz-100MHz

-1.5dB MAX @100-125MHz

RETURN LOSS: -18dB Min @1-30MHz

-15dB Min @40MHz -13.1dB Min @50MHz

-12dB Min @60-80MHz -10dB Min @100MHz

Differential to Common Mode Rejection:

-43dB Min @30MHz -37dB Min @80MHz

-33dB Min @100MHz

CMRR: -30dB Min @1-100MHz

Crosstalk: -45dB Min @30MHz

-40dB Min @60MHz -35dB Min @100MHz

#### Notes:

1. Solderability: Leads shall meet MIL-STD-202G, Method 208H for solderability.
2. Flammability: UL94V-0
3. ASTM oxygen index > 28%
4. Insulation System: Class F 155°C. UL file E151556
5. Operating Temperature Range: All listed parameters are to be within tolerance from -40°C to +85°C
6. Storage Temperature Range: -55°C to +125°C
7. Aqueous wash compatible
8. SMD Lead Coplanarity: ±0.004"(0.102mm)
9. Electrical and mechanical specifications 100% tested
10. RoHS Compliant Component

<b>XFMRs Inc</b> <a href="http://www.XFMRs.com">www.XFMRs.com</a>	Title: 1000BASE-T Modules		
	UNLESS OTHERWISE SPECIFIED	P/N: XFGIB1002	REV. A
TOLERANCES: .xxx ±0.010	DWN.	Juan Mao	Feb-01-08
Dimensions in INCH	CHK.	YK Liao	Feb-01-08
SCALE 2:1 SHT 1 OF 1	APP.	Joe Huff	Feb-01-08

**PROPRIETARY**

Document is the property of XFMRs Group & is not allowed to be duplicated without authorization.