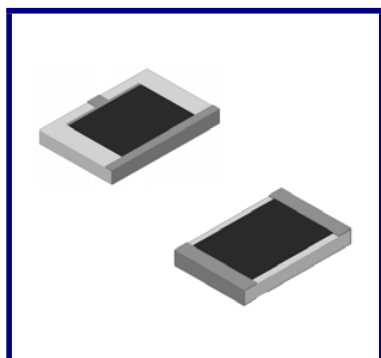


## Terminations

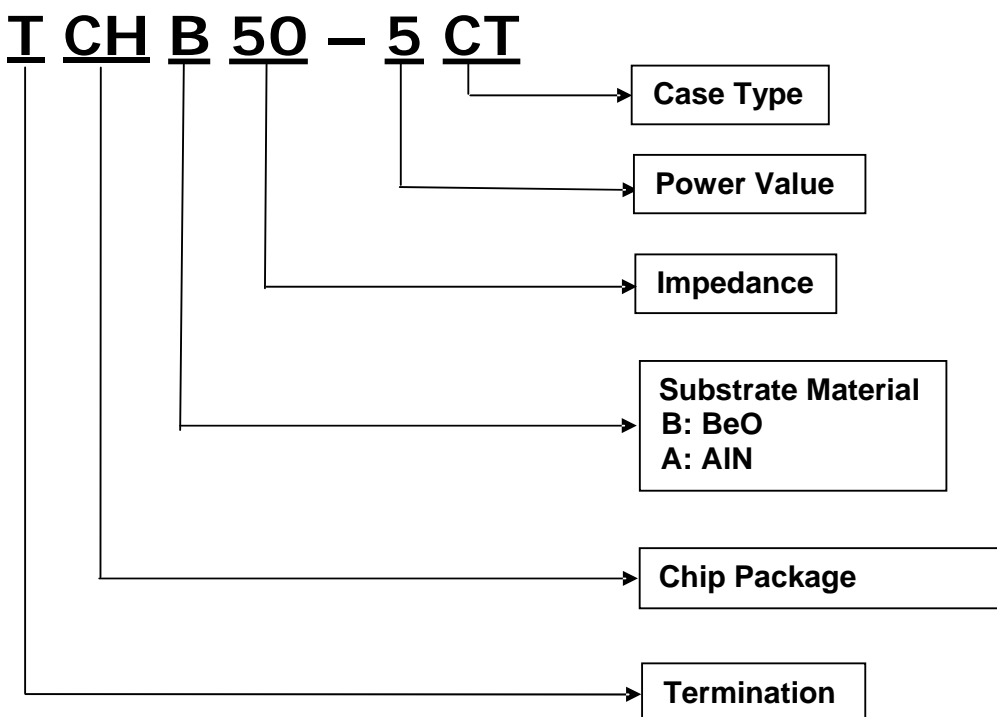
### Chip



- ◆ Resistance\*: 50Ω
- ◆ Substrate Material: BeO, AlN
- ◆ Resistance Tolerance\*: ±5%
- ◆ Power: 5-250W
- ◆ Frequency Range\*: DC-18GHz
- ◆ Operation Temperature: -55 ~ +150°C
- ◆ Temperature Coefficient: ±150ppm/°C
- ◆ RoHS Compliant
- ◆ \*Custom Designs Available

## *Termination – Chip (TCHB series)*

### Explanation to P/N



## Terminations

### Chip

Figure 1

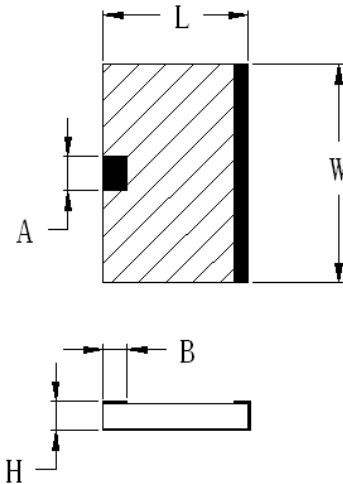
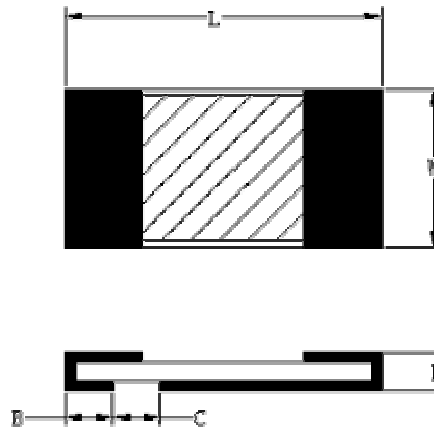


Figure 2



| P/N           | Power<br>(W) | Frequency<br>(GHz) | VSWR<br>max | Size(mm) |      |   |     |     |     |
|---------------|--------------|--------------------|-------------|----------|------|---|-----|-----|-----|
|               |              |                    |             | W        | L    | H | A   | B   | C   |
| TCHB50-5CT    | 5            | DC-3               | 1.20        | 1.27     | 2.54 | 1 | 1.1 | 1.5 | N/A |
| TCHB50-10CT   | 10           | DC-6               | 1.20        | 5        | 2.5  | 1 | 1.1 | 1.5 | N/A |
| TCHB50-20CT   | 20           | DC-18              | 1.35        | 5        | 2.5  | 1 | 1.1 | 1.5 | N/A |
| TCHB50-20CTA  | 20           | DC-4               | 1.20        | 2.5      | 5    | 1 | 1.1 | 1.5 | 1.5 |
| TCHB50-20CTB  | 20           | DC-3               | 1.20        | 3        | 4    | 1 | 1.1 | 1.5 | N/A |
| TCHB50-20CTC  | 20           | DC-3               | 1.20        | 4        | 3    | 1 | 1.1 | 1.5 | N/A |
| TCHB50-20CTD  | 20           | DC-3               | 1.20        | 4        | 4    | 1 | 1.4 | 1.5 | N/A |
| TCHB50-40CT   | 40           | DC-6               | 1.20        | 6        | 6    | 1 | 1.4 | 1.5 | 1.5 |
| TCHB50-60CT   | 60           | DC-3               | 1.20        | 6        | 6    | 1 | 1.4 | 1.5 | 1.5 |
| TCHB50-100CT  | 100          | DC-3               | 1.20        | 9        | 6    | 1 | 1.4 | 1.5 | 1.5 |
| TCHB50-150CT  | 150          | DC-3               | 1.20        | 6.35     | 9.5  | 1 | 1.4 | 1.5 | 1.5 |
| TCHB50-150CTA | 150          | DC-2               | 1.20        | 9.5      | 9.5  | 1 | 1.4 | 1.5 | 1.5 |
| TCHB50-250CT  | 250          | DC-1               | 1.20        | 10       | 10   | 1 | 2.6 | 1.5 | 1.5 |