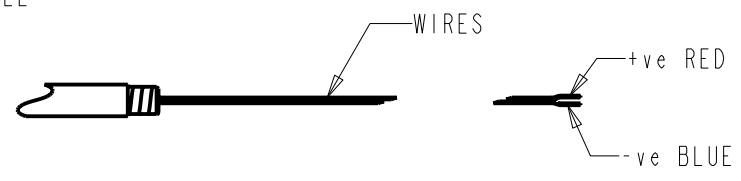
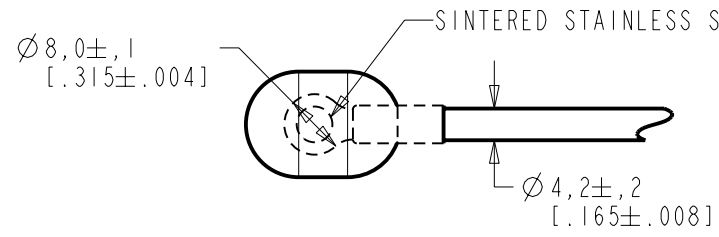
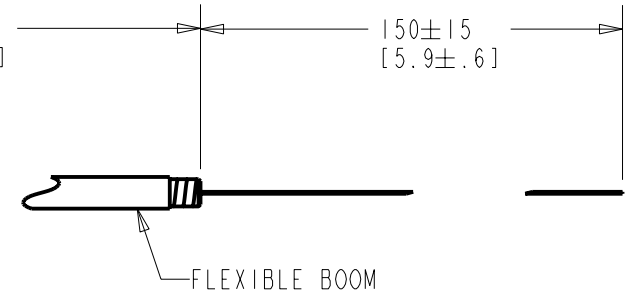
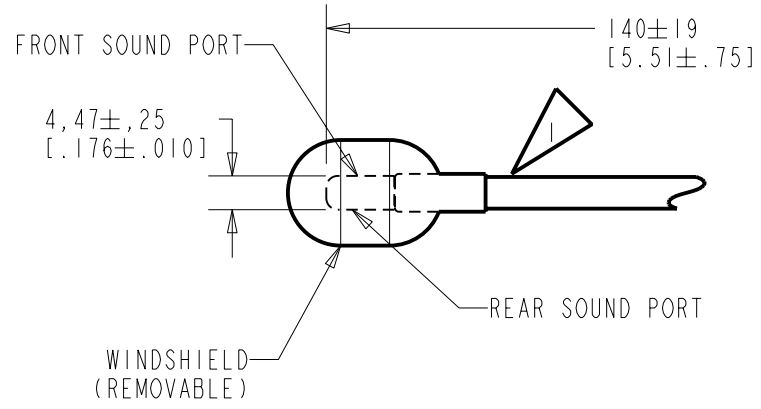


PNR-23249-000
SHT 1.1

THE FRONT SOUND PORT IS ADJACENT TO THE MODEL NUMBER IDENTIFICATION.



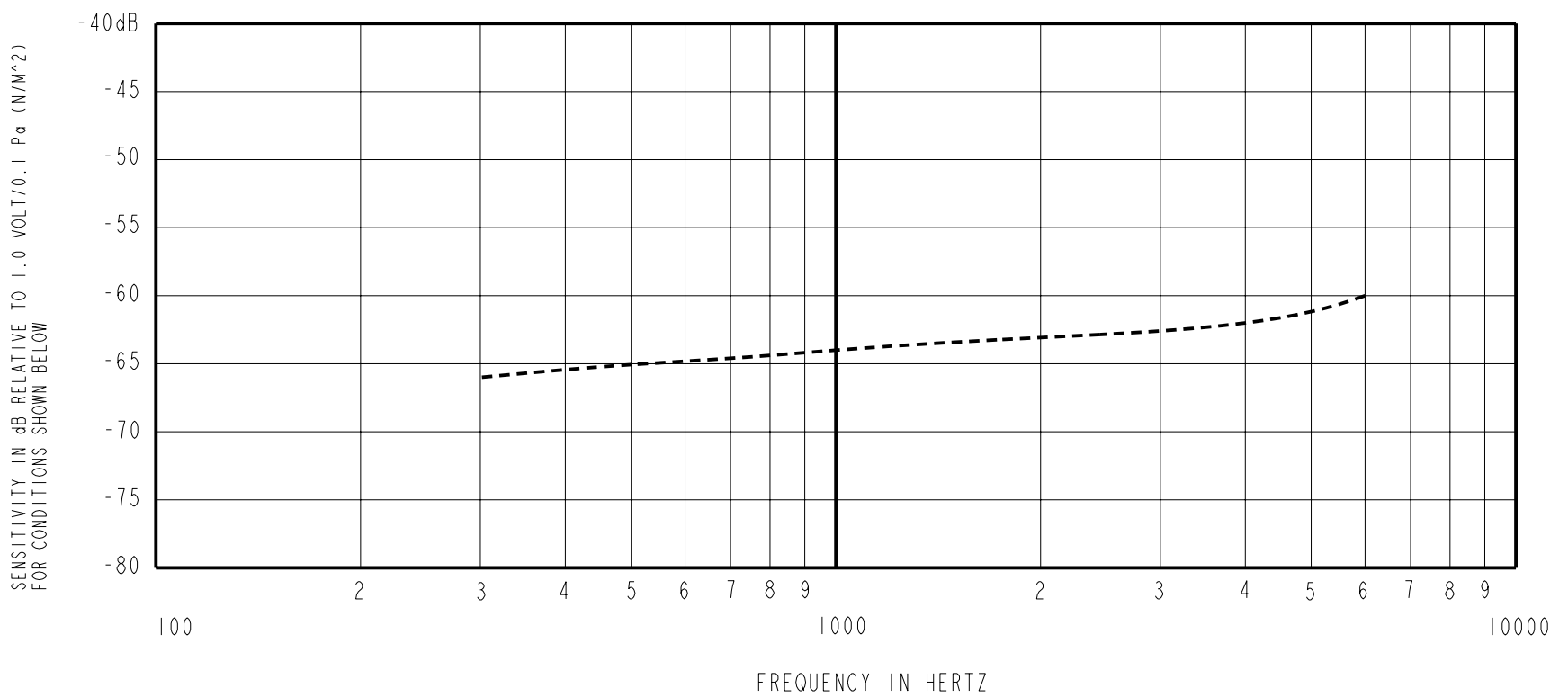
WIRE COLOR		WEIGHT GRAMS
+ve	-ve	
RED	BLUE	13.1

DIMENSIONS IN MILLIMETERS [INCHES]

Revision	C.O. #	Implementation Date	RELEASE LEVEL	REVISION
C	CI0106181	8-01-07	Released	C
B	MI0101089	5-5-06		
A	MI0100632	06/07/05		

KNOWLES ELECTRONICS
ITASCA, ILLINOIS U.S.A.

SCALE: 1:1		DR. BY: DMS	DATE: 06/07/05
DO NOT SCALE DRAWING		CK. BY: GJP	DATE: 06/09/05
TITLE: BOOM MICROPHONE	PNR-23249-000	APP. BY: GJP	DATE: 06/09/05
OUTLINE DRAWING	SHT 1.1		



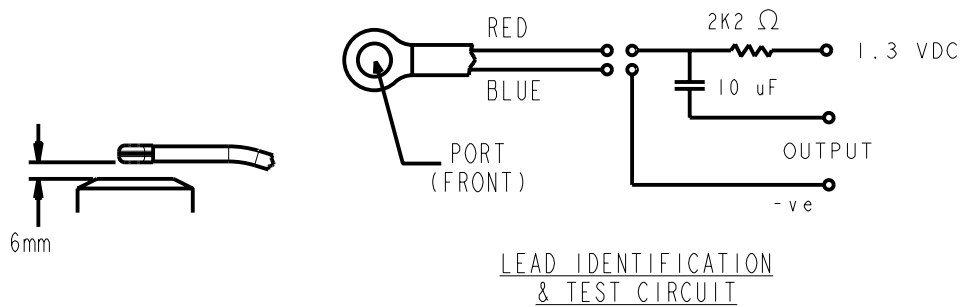
NOTES:

- MICROPHONE TO BE FUNCTIONAL WITH 10 VDC SUPPLY.
- SENSITIVITY VALUES INDICATED ON THIS SPECIFICATION ARE VALID AT 50% HUMIDITY.
- SENSITIVITY

FREQUENCY	MIN	NOM	MAX
300	-70.0	-66.0	-62.0
1000	-67.0	-64.0	-61.0
4000	-65.0	-62.0	-59.0

- TEST CONDITIONS:
HEAD OF BOOM EXPOSED TO 94 dB SPL SWEPT SOUND FIELD AT 6mm FROM VOICE APERTURE.
ARTIFICIAL VOICE:
B & K 4227 MOUTH SIMULATOR.

- FOR MICROPHONE CAPSULE SPEC. SEE NR-23160-000 SHEET 2.1



KNOWLES ELECTRONICS
ITASCA, ILLINOIS U.S.A.

Revision	C.O. #	Implementation Date	RELEASE LEVEL	REVISION
C	C10106181	8-01-07	Released	C
B	M10101089	5-5-06		
A	M10100632	06/07/05		

WHEN TEST LIMITS ARE USED TO ESTABLISH INCOMING INSPECTION ACCEPTANCE/REJECTION CRITERIA, CORRELATION OF TEST EQUIPMENT WITH KNOWLES IS ALSO REQUIRED FOR ELIMINATION OF EQUIPMENT AND TEST METHOD VARIATION		DR. BY	DATE
		DMS	06/07/05
		CK. BY	DATE
		GJP	06/09/05
		APP. BY	DATE
		GJP	06/09/05

TITLE:	BOOM MICROPHONE	PNR-23249-000
	PERFORMANCE SPECIFICATION	SHT 2.1