

PD/PDM-82-GA Series 0° POWER DIVIDERS/COMBINERS

0.8 to 4.2 GHz / 8-Way / Uniform Phase & Ampli. Bal. / High Isolation & Low Loss/ SMA & N Conn.



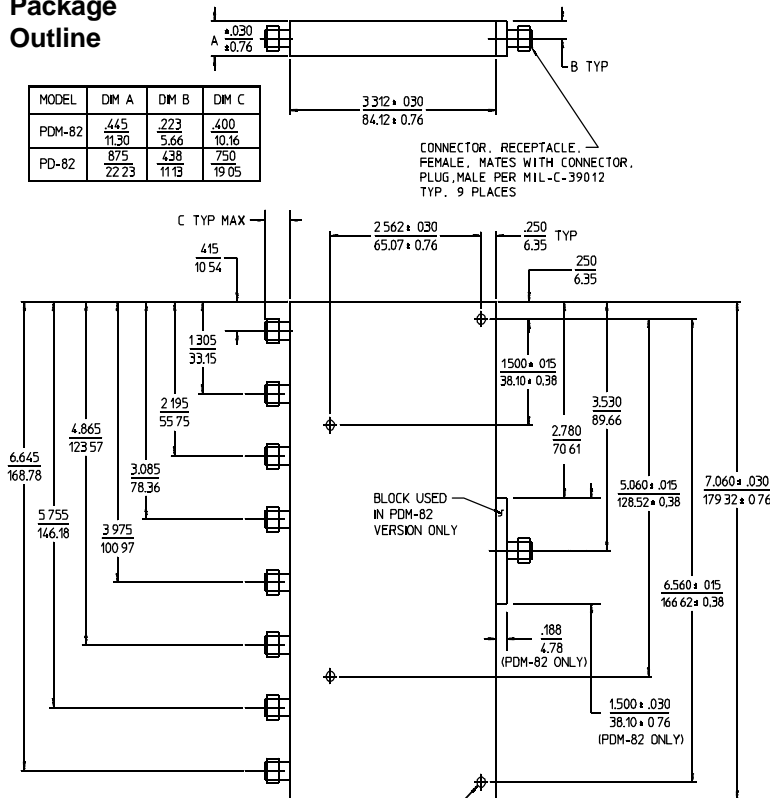
PRINCIPAL SPECIFICATIONS

| Model Number | Freq. Range, GHz | Isolation, dB, Min. | Insertion Loss, dB, Max. | Phase Bal., Max. | Amplitude Balance, dB, Max. | VSWR Max. In | VSWR Max. Out | Power Input, W* | Connector Style | Weight Nom. oz (g) |
|--------------|------------------|---------------------|--------------------------|------------------|-----------------------------|--------------|---------------|-----------------|-----------------|--------------------|
| PDM-82-0.9GA | 0.83 - 0.96 | 20 | 0.5 | 6° | 0.2 | 1.30:1 | 1.20:1 | 20 | SMA | 14 (400) |
| PDM-82-1.5GA | 0.96 - 2.0 | 20 | 0.75 | 8° | 0.8 | 1.60:1 | 1.50:1 | 20 | SMA | 14 (400) |
| PD-82-0.9GA | 0.83 - 0.96 | 20 | 0.5 | 6° | 0.2 | 1.30:1 | 1.20:1 | 20 | N-type | 26 (740) |
| PD-82-1.5GA | 0.96 - 2.0 | 20 | 0.75 | 8° | 0.8 | 1.60:1 | 1.50:1 | 20 | N-type | 26 (740) |
| PD-82-3.95GA | 3.7 - 4.2 | 20 | 1.0 | 8° | 0.3 | 1.25:1 | 1.25:1 | 20 | N-type | 26 (740) |

* CW power input when used as divider with 1.2:1 VSWR_{out}

Package Outline

| MODEL | DIM A | DIM B | DIM C |
|--------|---------------|---------------|---------------|
| PDM-82 | .445 11.30 | .223 5.66 | .400 10.16 |
| PD-82 | .875 22.23 | .438 11.18 | .750 19.05 |



NOTES: 1. Tolerance on 3 place decimals ±.020(.51) except as noted.
2. Dimensions in inches over mm.
.144 ± .010 DIA
.366 ± 0.25
4 MTG. HOLES

GENERAL SPECIFICATIONS

Impedance: 50 Ω nom.
 Operating Temperature: -55° to +85°C
 Optional Frequencies:
 2.6 to 5.2 GHz: Call for data.
 4 to 8 GHz: Call for outline

General Notes:

1. The PDM-82 and PD-82 series of Eight way Power Dividers/ Combiners cover the band from 0.83 to 4.2 GHz. They use a multi-section stripline Wilkinson design providing high isolation and low VSWR.
2. Etched PTFE fiberglass stripline circuits are encased in an aluminum machined housing that minimizes moding and provides an effective RF shield.
3. These units are generally available from catalog stock for fast delivery.

16Feb96