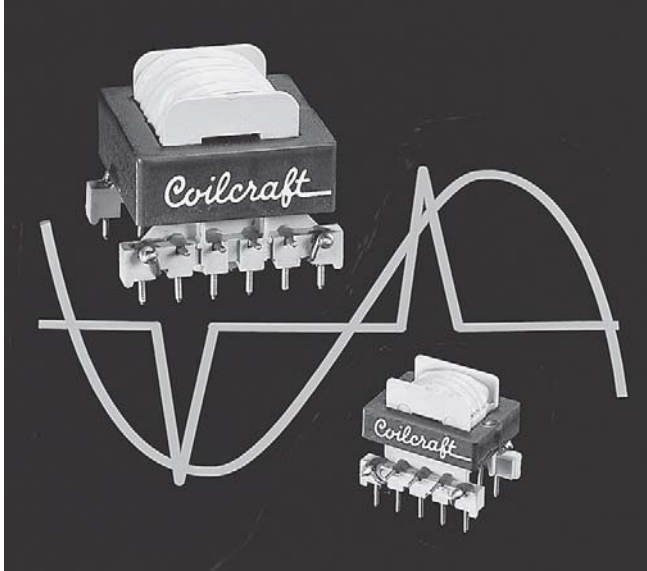




Power Factor Controller Transformers



These parts are designed for use with Motorola MC33261 and MC34261 power factor controllers. They are specifically intended for use in AC-DC pre-converter circuits for electronic ballast and off-line switching power converter applications.

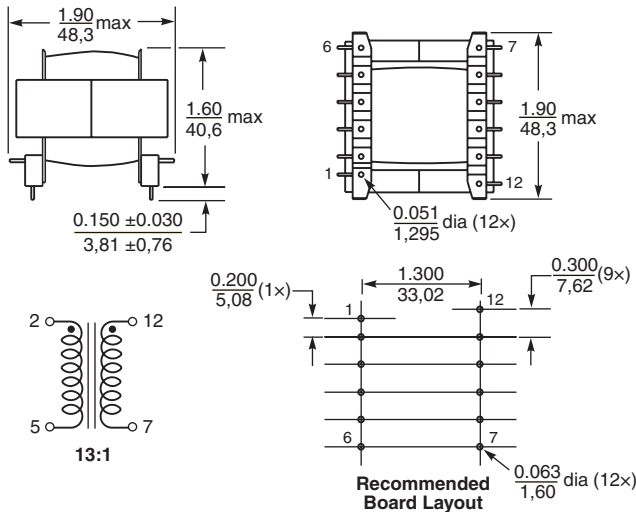
N2880-AL and N2881-AL utilize standard materials for lowest cost. Coilcraft can also supply custom transformers optimized for specific combinations of output power and input voltage.

N2880-AL

For output power up to 175 Watts
For "universal" 110/220 V input voltage

Inductance¹: Pins 2-5 960/780 μ H
DC resistance: Pins 2-5 0.100 Ω max
Pins 12-7 0.017 Ω max
Isolation: 500 Vrms between windings

1. Tested at 15.75 kHz, 1 Vrms.
2. Operating temperature range -40°C to +85°C.
3. Electrical specifications at 25°C.



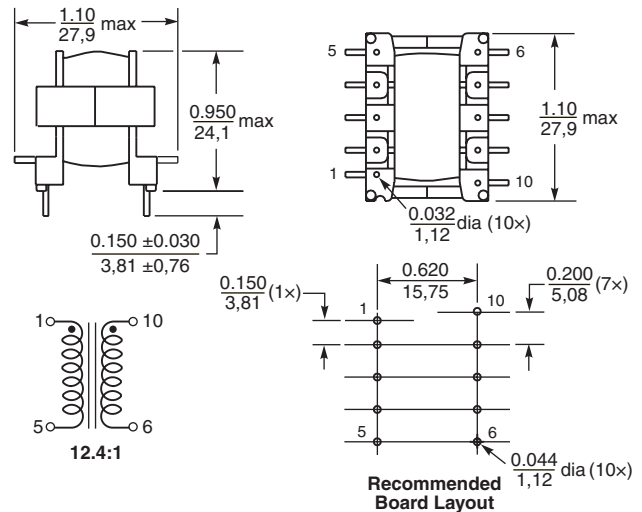
Weight: 176 g
Terminations: Tin-silver over tin over copper
Packaging: 36 per tray

N2881-AL

For output power up to 80 Watts
For 110 V input voltage

Inductance¹: Pins 1-5 350/290 μ H
DC resistance: Pins 1-5 0.170 Ω max
Pins 10-6 0.019 Ω max
Isolation: 500 Vrms between windings

1. Tested at 15.75 kHz, 0.2 Vrms.
2. Operating temperature range -40°C to +85°C.
3. Electrical specifications at 25°C.



Weight: 22.2 g
Terminations: Tin-silver over tin over copper
Packaging: 30 per tray



Specifications subject to change without notice.
Please check our website for latest information.

Document 145 Revised 01/06/09