

DATA SHEET

E42/17/12

E cores and accessories

Supersedes data of September 2004

2008 Sep 01

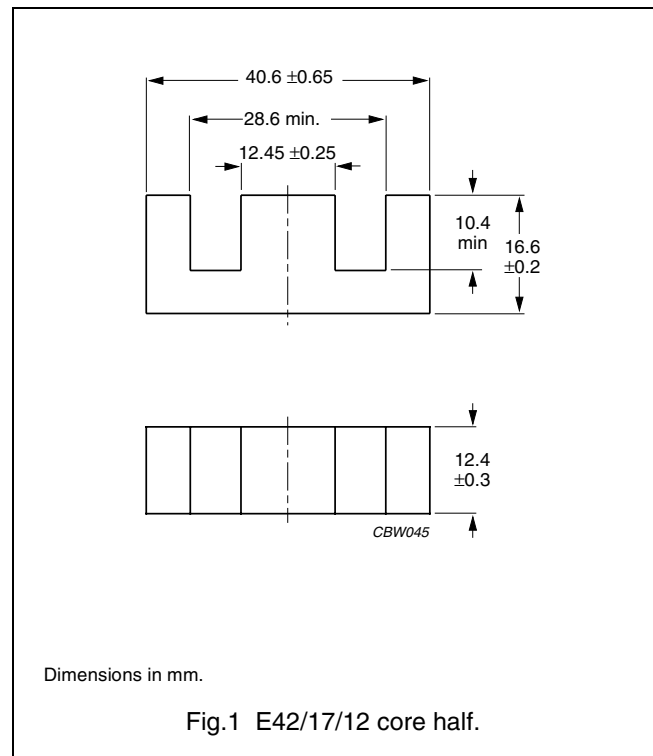


FERROXCUBE
A YAGEO COMPANY

CORE SETS

Effective core parameters

SYMBOL	PARAMETER	VALUE	UNIT
$\Sigma(l/A)$	core factor (C1)	0.517	mm ⁻¹
V_e	effective volume	11500	mm ³
l_e	effective length	77.0	mm
A_e	effective area	149	mm ²
A_{min}	minimum area	142	mm ²
m	mass of core half	≈ 30	g



Core halves

A_L measured in combination with a non-gapped core half, clamping force for A_L measurements 40 ± 20 N, unless stated otherwise.

GRADE	A_L (nH)	μ_e	TOTAL AIR GAP (μ m)	TYPE NUMBER
3C81	100 ± 5% ⁽¹⁾	≈ 41	≈ 3000	E41/17/12-3C81-E100
	160 ± 5% ⁽¹⁾	≈ 66	≈ 1620	E41/17/12-3C81-E160
	250 ± 5% ⁽¹⁾	≈ 103	≈ 920	E41/17/12-3C81-E250
	315 ± 5%	≈ 130	≈ 690	E41/17/12-3C81-A315
	400 ± 8%	≈ 164	≈ 520	E41/17/12-3C81-A400
	630 ± 15%	≈ 259	≈ 300	E41/17/12-3C81-A630
	5370 ± 25%	≈ 2210	≈ 0	E41/17/12-3C81
3C90	100 ± 5% ⁽¹⁾	≈ 41	≈ 3000	E41/17/12-3C90-E100
	160 ± 5% ⁽¹⁾	≈ 66	≈ 1620	E41/17/12-3C90-E160
	250 ± 5% ⁽¹⁾	≈ 103	≈ 920	E41/17/12-3C90-E250
	315 ± 5%	≈ 130	≈ 690	E41/17/12-3C90-A315
	400 ± 8%	≈ 164	≈ 520	E41/17/12-3C90-A400
	630 ± 15%	≈ 259	≈ 300	E41/17/12-3C90-A630
	4100 ± 25%	≈ 1670	≈ 0	E41/17/12-3C90
3C91 des	5370 ± 25%	≈ 2210	≈ 0	E41/17/12-3C91
3C92 des	3300 ± 25%	≈ 1360	≈ 0	E41/17/12-3C92
3C94	4100 ± 25%	≈ 1670	≈ 0	E41/17/12-3C94
3C95 des	5370 ± 25%	≈ 2210	≈ 0	E41/17/12-3C95

E cores and accessories

E42/17/12

GRADE	A_L (nH)	μ_e	TOTAL AIR GAP (μm)	TYPE NUMBER
3F3	$100 \pm 5\%^{(1)}$	≈ 41	≈ 3000	E41/17/12-3F3-E100
	$160 \pm 5\%^{(1)}$	≈ 66	≈ 1620	E41/17/12-3F3-E160
	$250 \pm 5\%^{(1)}$	≈ 103	≈ 920	E41/17/12-3F3-E250
	$315 \pm 5\%$	≈ 130	≈ 690	E41/17/12-3F3-A315
	$400 \pm 8\%$	≈ 164	≈ 520	E41/17/12-3F3-A400
	$630 \pm 15\%$	≈ 259	≈ 300	E41/17/12-3F3-A630
	$3575 \pm 25\%$	≈ 1470	≈ 0	E41/17/12-3F3

Note

1. Measured in combination with an equal gapped core half, clamping force for A_L measurements, 40 ± 20 N.

Properties of core sets under power conditions

GRADE	B (mT) at	CORE LOSS (W) at				
	H = 250 A/m; f = 25 kHz; T = 100 °C	f = 25 kHz; $\hat{B} = 200$ mT; T = 100 °C	f = 100 kHz; $\hat{B} = 100$ mT; T = 100 °C	f = 100 kHz; $\hat{B} = 200$ mT; T = 25 °C	f = 100 kHz; $\hat{B} = 200$ mT; T = 100 °C	f = 400 kHz; $\hat{B} = 50$ mT; T = 100 °C
3C81	≥ 320	≤ 2.4	–	–	–	–
3C90	≥ 320	≤ 1.3	≤ 1.45	–	–	–
3C91	≥ 320	–	$\leq 0.85^{(1)}$	–	$\leq 5.1^{(1)}$	–
3C92	≥ 370	–	≤ 1.1	–	≤ 6.4	–
3C94	≥ 320	–	≤ 1.1	–	≤ 6.4	–
3C95	≥ 320	–	–	≤ 7.25	≤ 6.9	–
3F3	≥ 320	–	≤ 1.4	–	–	≤ 2.2

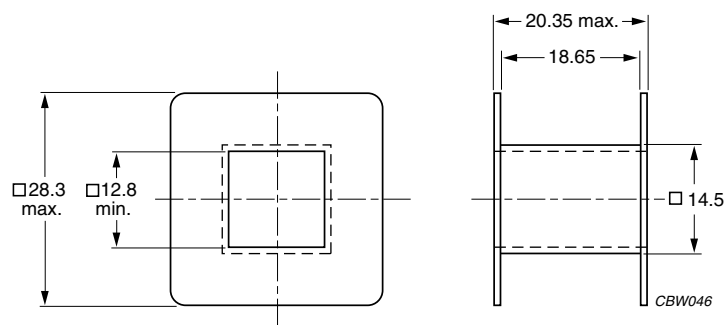
Note

1. Measured at 60 °C.

COIL FORMERS

General data for E41/17/12 coil former without pins

PARAMETER	SPECIFICATION
Coil former material	polyamide (PA6.6), glass reinforced, flame retardant in accordance with "UL 94V-2"; UL file number E41938(M)
Maximum operating temperature	130 °C, "IEC 60085", class B



Dimensions in mm.

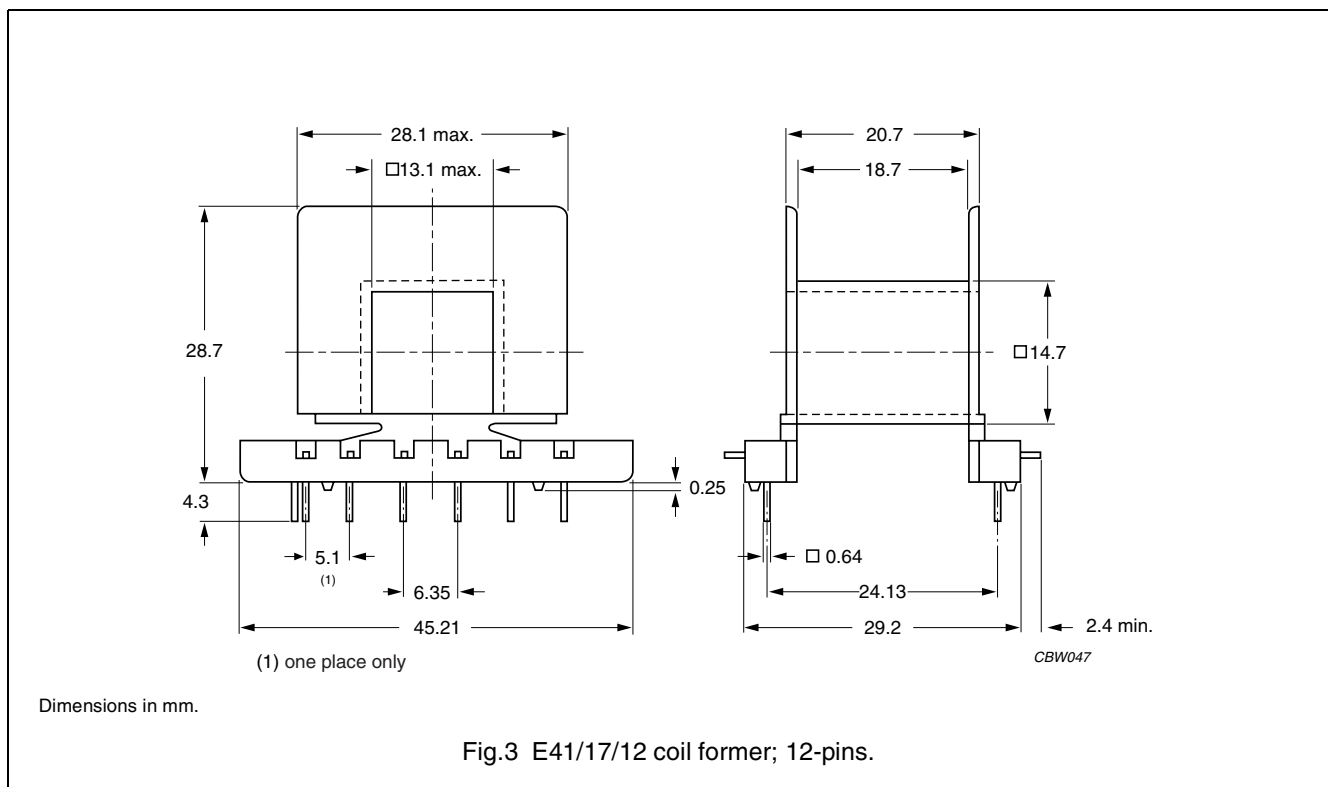
Fig.2 E41/17/12 coil former.

Winding data and area product for E41/17/12 coil former without pins

NUMBER OF SECTIONS	MINIMUM WINDING AREA (mm ²)	NOMINAL WINDING WIDTH (mm)	AVERAGE LENGTH OF TURN (mm)	AREA PRODUCT Ae x Aw (mm ⁴)	TYPE NUMBER
1	120	18.6	79.6	17900	CP-E41/17/12-1S

General data for 12-pins E41/17/12 coil former

PARAMETER	SPECIFICATION
Coil former material	polyamid (PA66), glass reinforced, flame retardant in accordance with "UL 94HB"; UL file number E41938
Pin material	copper-tin alloy (CuSn), tin (Sn) plated
Maximum operating temperature	130 °C, "IEC 60085", class B
Resistance to soldering heat	"IEC 60068-2-20", Part 2, Test Tb, method 1B: 350 °C, 3.5 s
Solderability	"IEC 60068-2-20", Part 2, Test Ta, method 1: 235 °C, 2 s



Winding data and area product for 12-pins E41/17/12 coil former

NUMBER OF SECTIONS	MINIMUM WINDING AREA (mm ²)	NOMINAL WINDING WIDTH (mm)	AVERAGE LENGTH OF TURN (mm)	AREA PRODUCT Ae x Aw (mm ⁴)	TYPE NUMBER
1	114	18	81.2	17000	CPH-E41/12-1S-12PD-Z




DATA SHEET STATUS DEFINITIONS

DATA SHEET STATUS	PRODUCT STATUS	DEFINITIONS
Preliminary specification	Development	This data sheet contains preliminary data. Ferroxcube reserves the right to make changes at any time without notice in order to improve design and supply the best possible product.
Product specification	Production	This data sheet contains final specifications. Ferroxcube reserves the right to make changes at any time without notice in order to improve design and supply the best possible product.

DISCLAIMER

Life support applications — These products are not designed for use in life support appliances, devices, or systems where malfunction of these products can reasonably be expected to result in personal injury. Ferroxcube customers using or selling these products for use in such applications do so at their own risk and agree to fully indemnify Ferroxcube for any damages resulting from such application.

PRODUCT STATUS DEFINITIONS

STATUS	INDICATION	DEFINITION
Prototype		These are products that have been made as development samples for the purposes of technical evaluation only. The data for these types is provisional and is subject to change.
Design-in		These products are recommended for new designs.
Preferred		These products are recommended for use in current designs and are available via our sales channels.
Support		These products are not recommended for new designs and may not be available through all of our sales channels. Customers are advised to check for availability.