

Ground wire choke, open design



Description

- Ground wire chokes (earth line chokes)
- THT-terminals

Standards

- EN 60938

Applications

- Separating the main earth line to periphery devices
- This type of chokes permits the building of a system free of ground wire loops

References

[General Product Information](#)

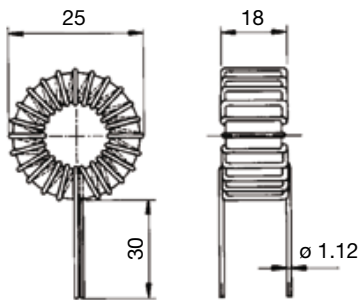
Weblinks

[Approvals](#), [RoHS](#), [CHINA-RoHS](#), [e-Store](#), [Distributor-Stock-Check](#)

Technical Data

Rated Current	16A @ Ta 40 °C	Isolation Voltage	2 kV eff., winding to ambient
Rated inductance	0.04 - 4 mH	Climatic Category	25/100/21 acc. to IEC 60068-1
Power Operating Frequency	< 5 MHz	Allowable Operation Temp.	-25 °C to 100 °C
Terminal technic	THT		
Material: Housing	UL 94V-0		
Sealing Compound	UL 94V-0		

Dimensions



Variants

I_n [A]	L_n [mH]	R_{cu} [mΩ]	f_{RES} [MHz]	Weight [g]	Packing unit [pcs.]	Order Number
16	2	15	0.3	13	50	DENO-23-0001
16	4	27	0.3	25	50	DENO-25-0001
25	4	10	0.3	20	50	DENO-40-0001