

BNC Isolated Receptacle(PCB Mounting)

BNC- □□ RD Series



Conforming Standard
MIL-C-39012

Lock Type
BNC

Characteristic Impedance
Unmatched

Mounting Type
DIP

FEATURE

- BNC-RD series is an isolated BNC receptacle connector for PCB mounting.
- The outer conductor and PCB are isolated by PBT resin housing.
- The ground contact is installed along the outer conductor and united with insulator adjacent to the contact.
- The tuning fork contact design for low cost.
- Horizontal and vertical mounting styles are available.
- The horizontal mounting height is 14.0mm from PCB surface.
- Varieties of applications such as, computer, communication and medical equipment.

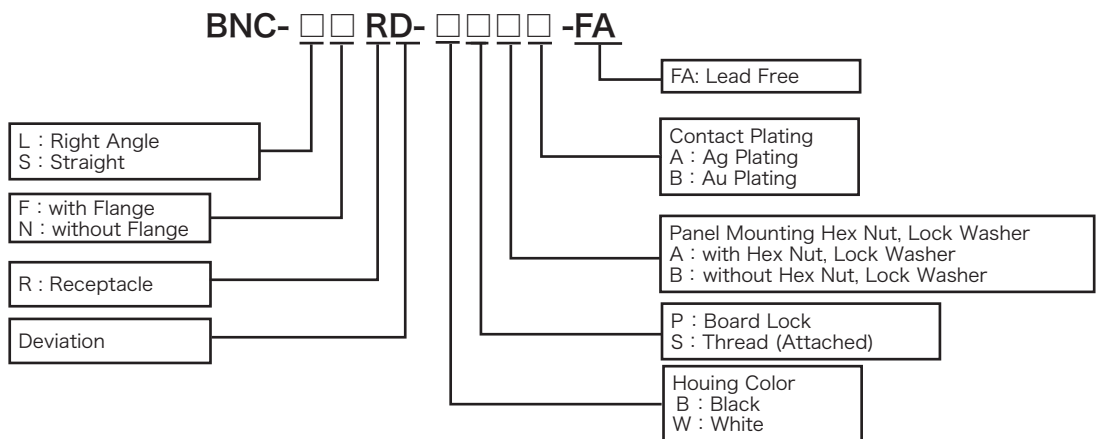


SPECIFICATIONS

Characteristic Impedance	Unmatched
Dielectric Withstanding Voltage	1500V AC(r.m.s.) / 1 minute
Insulation Resistance	5000M Ω (min.) at 500V DC

MATERIAL / FINISH

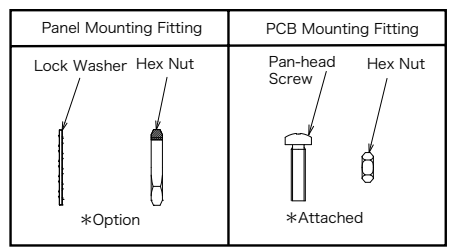
Item	Material / Finish
Housing	PBT(UL94V-0)
Outer Conductor	Zinc Alloy / Ni Plating
Contact(Socket)	Copper Alloy
Insulator	PBT (UL94V-0)



Connector Style	Flange	Board Lock Type	Thread Type
Straight Style	with Flange	○	○
	Less Flange	○	×
Right Angle Style	with Flange	○	○

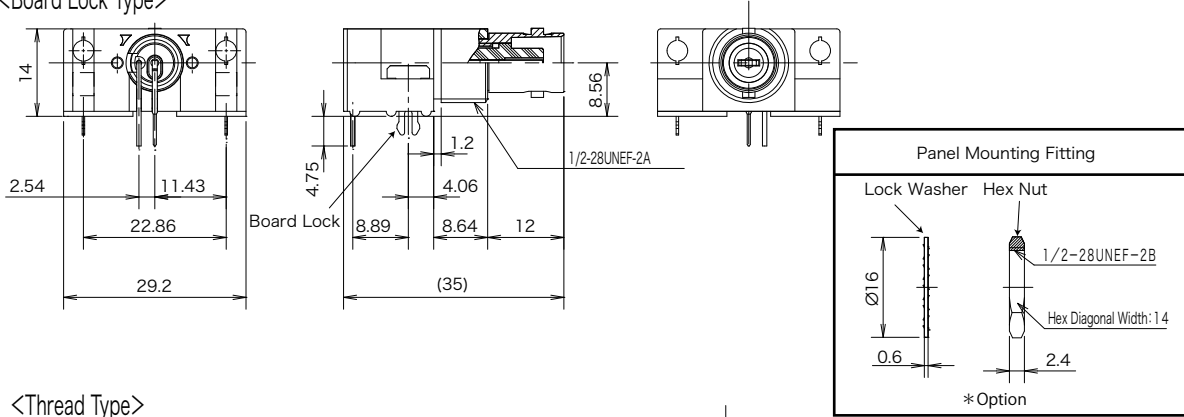
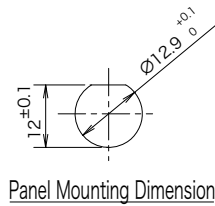
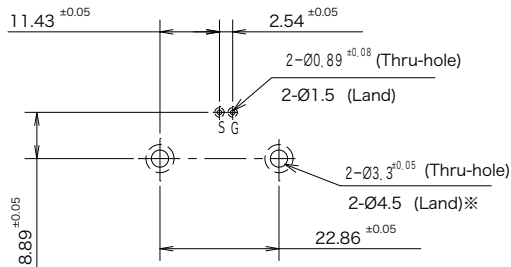
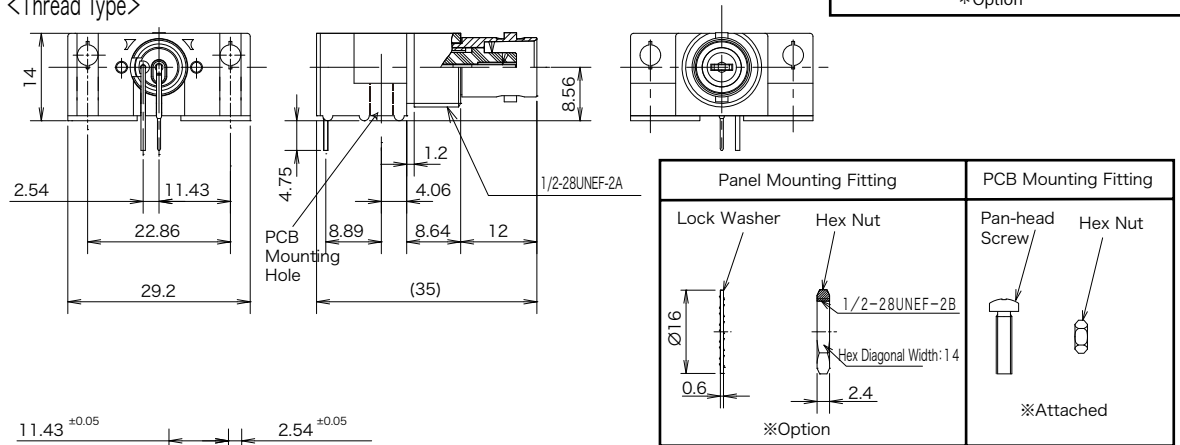
○ : available
× : not available

- ※ BNC-SFRD- □ P □□ -FA: Straight Style, Board Lock Type
- ※ BNC-LFRD- □ S □□ -FA: Right Angle Style, Thread Type



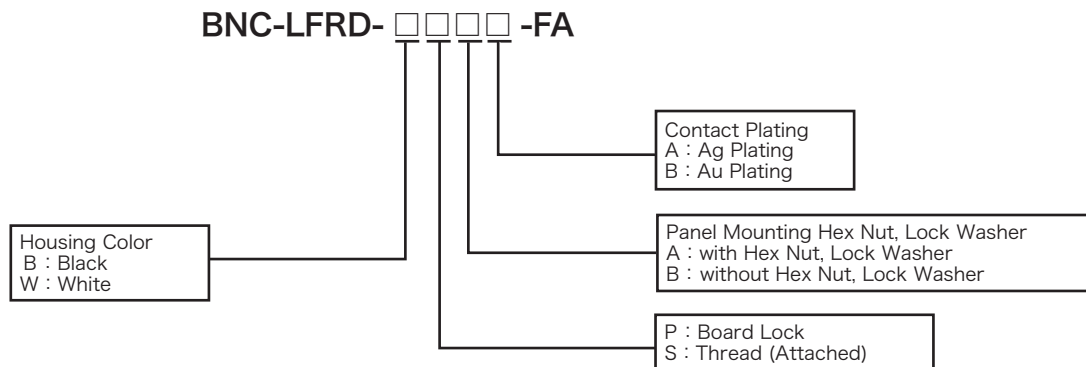
© Specifications and/or dimensions in this catalogue are subject to change without notice.
Your catalogue checking the latest specifications with our drawings would be highly appreciated.

▶ Horizontal Mounting Style (with Flange)


<Board Lock Type>

<Thread Type>


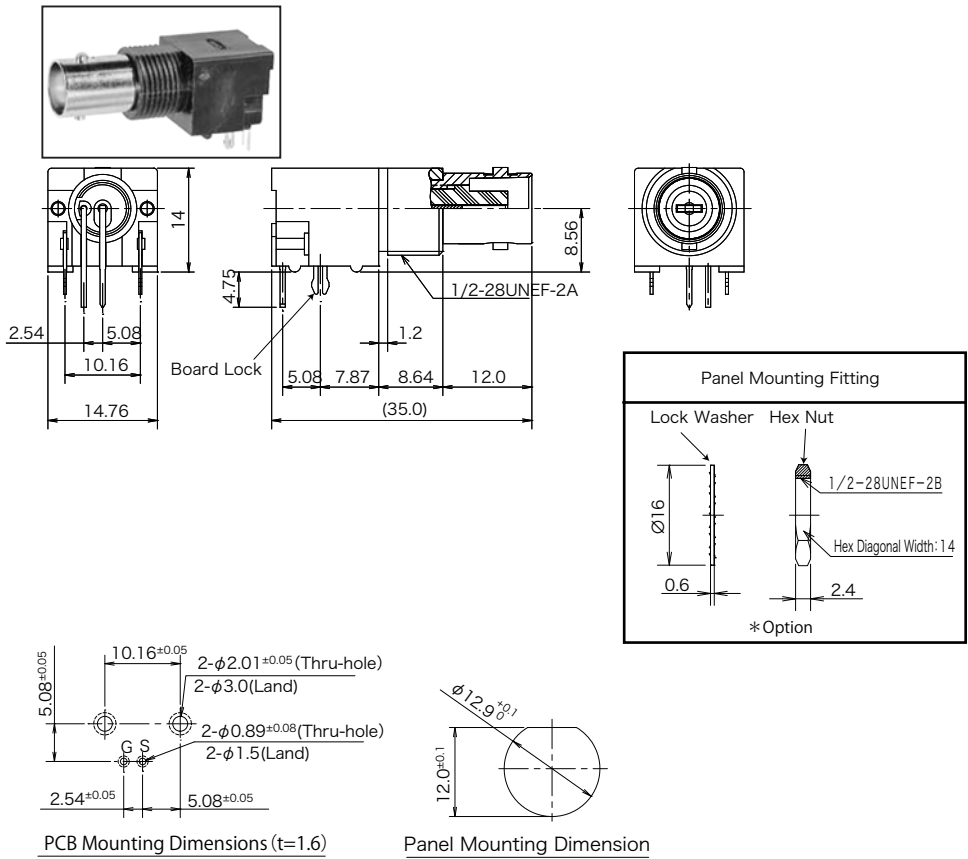
Note ※ Board lock style requires ϕ 4.5 land.

※ Board lock pins also requires soldering when mounting.



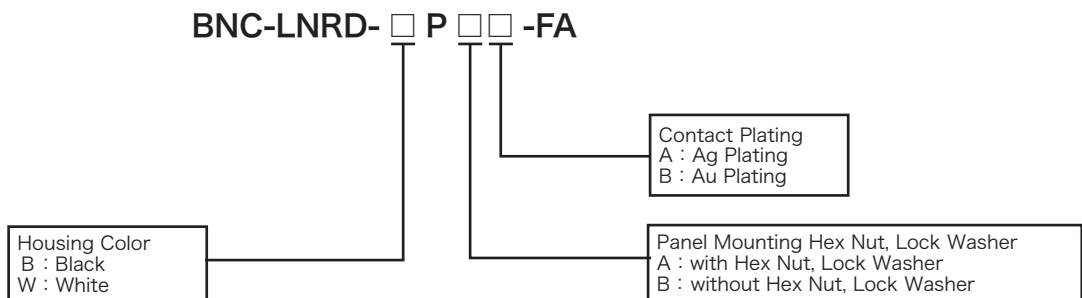
© Specifications and/or dimensions in this catalogue are subject to change without notice.
 Your catalogue checking the latest specifications with our drawings would be highly appreciated.

▶ Horizontal Mounting Style (without Flange)



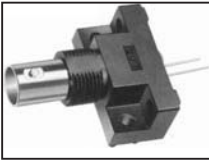
※ Board lock style is only available.

※ Board lock pins also requires soldering when mounting.

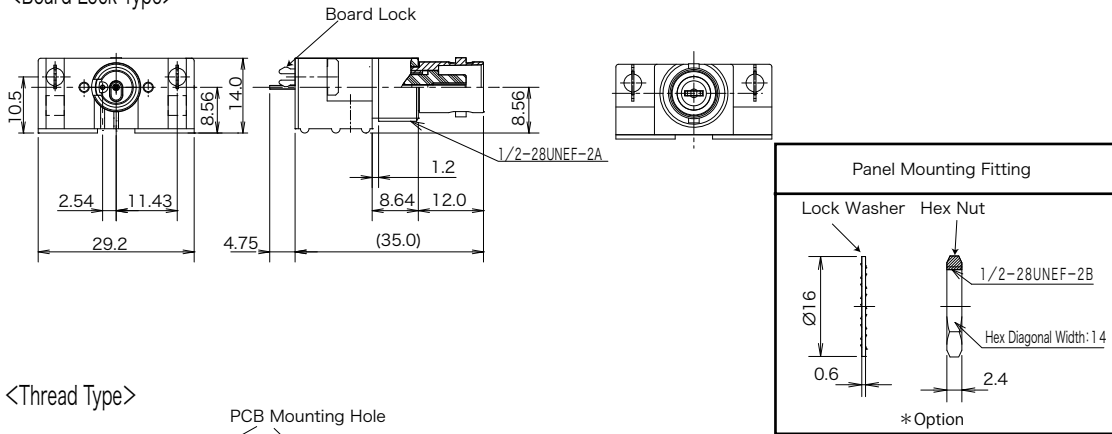


© Specifications and/or dimensions in this catalogue are subject to change without notice.

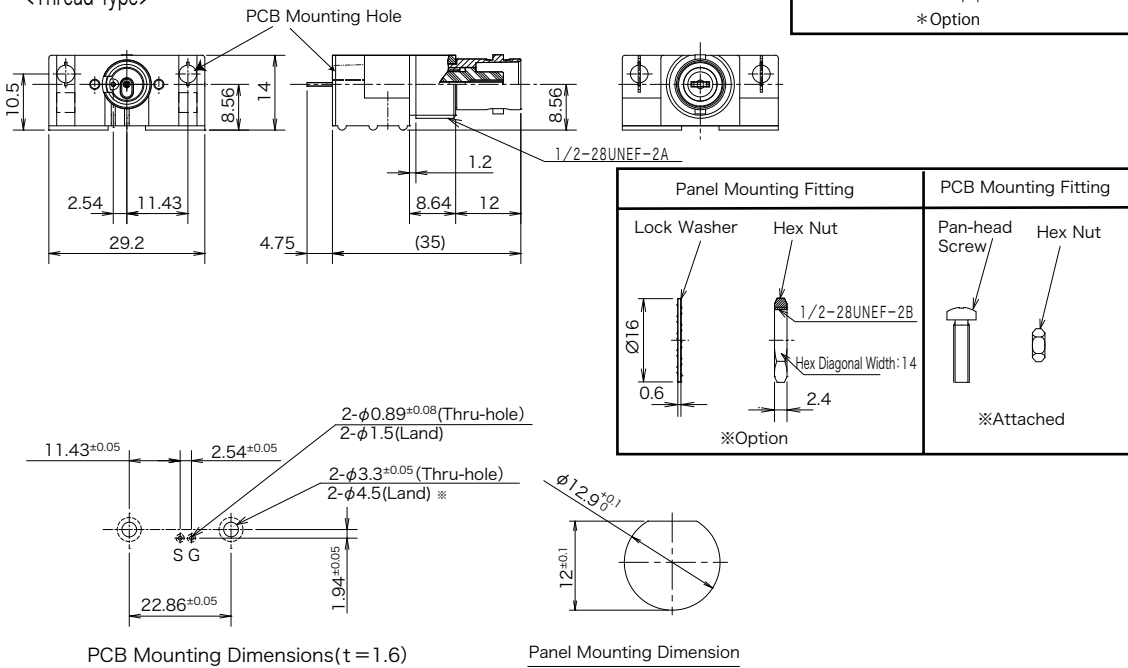
Your catalogue checking the latest specifications with our drawings would be highly appreciated.

▶ Vertical Mounting Style (with Flange)


<Board Lock Type>

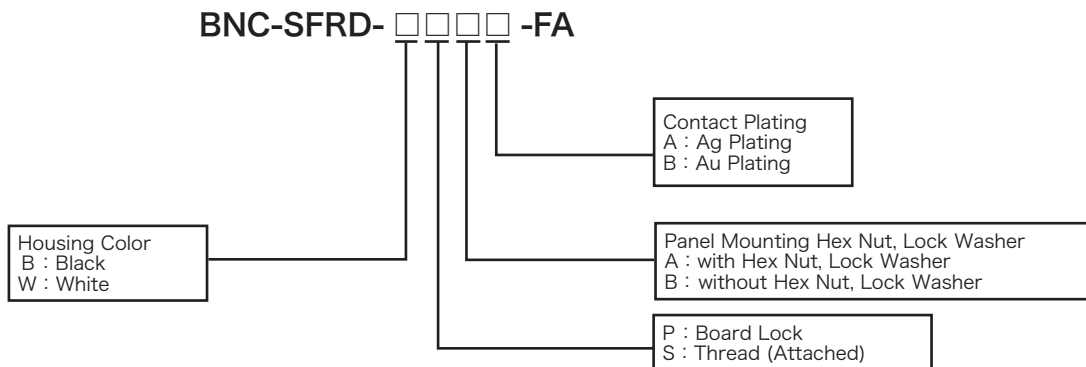


<Thread Type>



Note ※ Board lock style requires ϕ 4.5 land.

※ Board lock pins also requires soldering when mounting.



© Specifications and/or dimensions in this catalogue are subject to change without notice.
Your catalogue checking the latest specifications with our drawings would be highly appreciated.