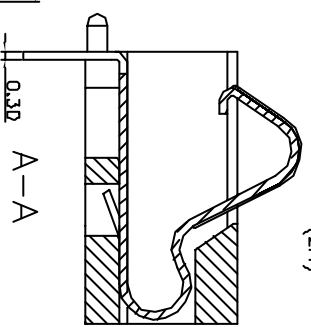
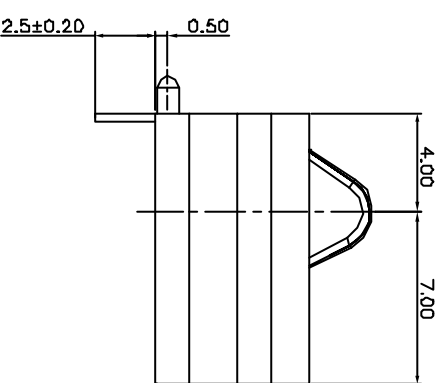
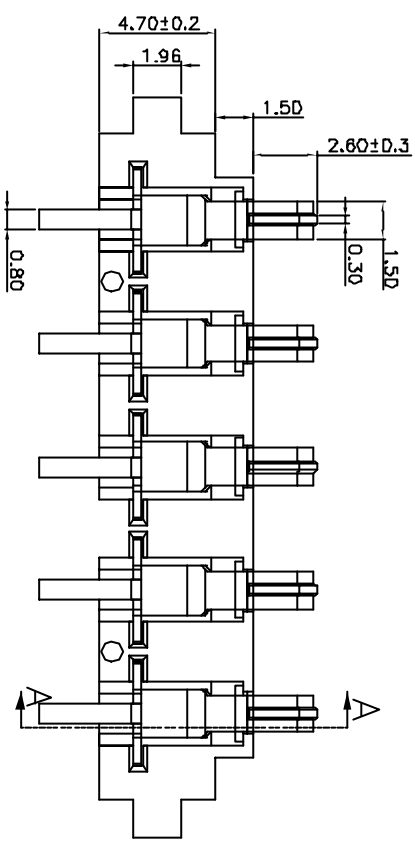


Recommended P.C.B Layout



NOTE:  
505110MB0050008ZU

- 1. Selective plating
- G1-05u" Gold over Nickel.
- G2- Indicate Gold flash
- G3-10u" Gold over Nickel.
- G4-15u" Gold over Nickel.
- G5-30u" Gold over Nickel.

2	TERMINAL	Pho. Bronze	Gold Plated
1	HOUSING	440 Temp. Nickel	UL 94V-0
NO.	DESCRIPTION	MATERIAL	COLOR
			REMARK

**SUYIN**  
CORPORATION

CUSTOMER TITLE: BATTERY CONN. SPRING S.M.T TYPE  
COPY

PART NO. 505110MB0050GX08ZU

PART NO. (CALD)

DRAWING NO. D 505110MB0050GX08ZU

SCALE 4:1 UNIT mm A4

ECN NO. (DCN)	REV	DATE	DESCRIPTION	CHANGE APPRO.	GENERAL TOLERANCE UNLESS OTHERWISE NOTED	ANGLE	±Z"	DRAW
	0		NEW			30 ~	±0.50	DESIGN
						10 ~ 30	±0.30	CHECK
						~ 10	±0.15	