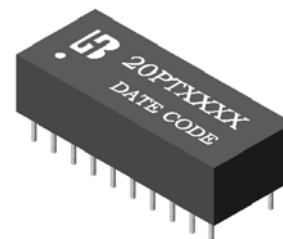


10/100 BASE DUAL PORT TRANSFORMERS

462 Boston St - Topsfield, MA 01983 - Phone: 978-887-8050 - Fax: 978-887-5434

- IEEE 802.3 Ethernet compatible, 100 BASE-TX
- 20 PIN DIP package compatible with popular IC Chips
- Design for multiport repeater and Ethernet switching HUB Application
- Operating temperature range : 0°C to +70°C.
- Storage temperature range: -40°C to +100°C.



Electrical Specifications @ 25°C

Isolation Voltage : 1500 Vrms

OCL(100KHz, 0.1Vrms with 8mA/DC Bias) : 350uH Min.

Leakage Inductance : 0.5uH Max.

Cw/w : 28pF Max.

DCR : 0.9Ω Max.

Rise Time : 2.5nS Typ.

Insulation Resistance: 10,000 MΩ

Part Number	Turn Ratio (±5%)		Insertion Loss (dB Max)	Return Loss (dB Min)			Cross talk (dB Min)	CMRR (dB Min)		Mech.
	Transmit	Receive		0.3~100MHz	0.3-30MHz	30-60MHz		60-80MHz	0.3-100 MH	
20PT1021	1CT:1CT	1:1	-1.15	-18	-14	-12	-38	-40		DP1
20PT1021A	1CT:1CT	1:1	-1.15	-18	-14	-12	-38	-40		DP1
20PT1021B	1CT:1CT	1:1	-1.15	-18	-14	-12	-38	-40		DP1
20PT1021C	1CT:1CT	1:1	-1.15	-18	-14	-12	-38	-40		DP1
20PT1021D	1CT:1CT	1:1	-1.15	-18	-14	-12	-38	-40		DP1
20PT1021E	1CT:1CT	1:1	-1.15	-18	-14	-12	-38	-40		DP1
20PT1021F	1CT:1CT	1:1	-1.1	-18	-14	-12	-38	-40		DP1
20PT1021G	1CT:1CT	1:1	-1.15	-18	-14	-12	-38	-40		DP1
20PT1021H	1CT:1CT	1:1	-1.15	-18	-14	-12	-38	-40		DP1
20PT1021J	1CT:1CT	1:1	-1.15	-18	-14	-12	-38	-40		DP1
20PT1021R	1CT:1CT	1:1	-1.0	-18	-14	-12	-38	-40		DP1
20PT1021S	1CT:1CT	1:1	-1.15	-18	-14	-12	-38	-40		DP2
20PT1021S-2	2CT:1CT	1:1	-1.15	-18	-14	-12	-38	-40		DP2
20PT1022	1CT:1CT	1:1	-1.15	-18	-14	-12	-35	-40	-30	DP1
20PT1023	1CT:1CT	1:1	-1.15	-18	-14	-12	-38	-40		DP1
20PT1025	1CT:1CT	1:1	-1.15	-18	-14	-12	-38	-40		DP1
20PT1025A	1CT:1CT	1:1	-1.15	-18	-14	-12	-38	-40		DP1

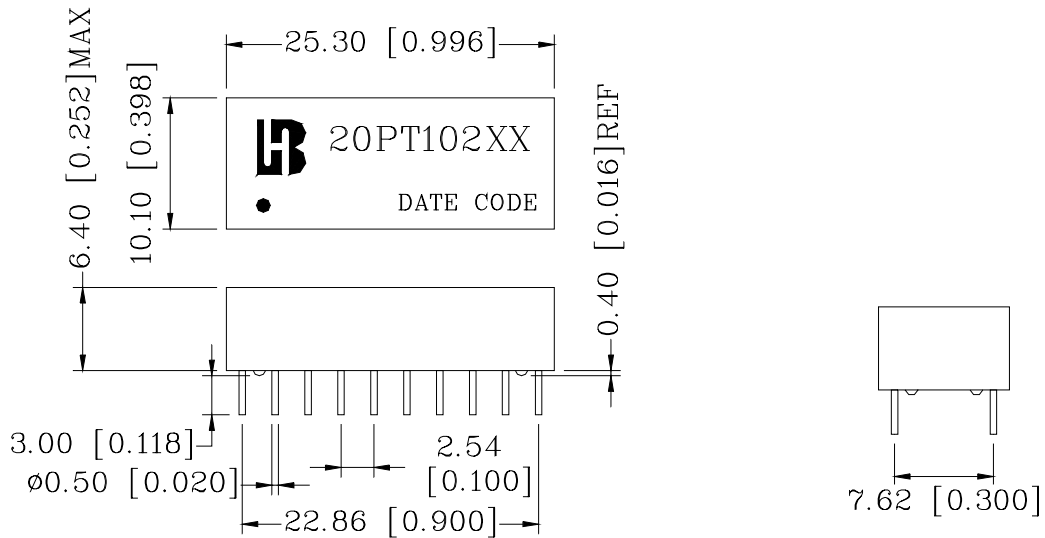
- Note : 20PT1021S-2 Leakage Inductance : 1.3uH Max(Transmit)/0.5uH Max.(Receive)
- Note:20PT1021R Leakage Inductance : 0.4 uH Max , CW/W : 20 pF Max
- Note: 20PT1021S CW/W: 25 pF Max

10/100 BASE DUAL PORT TRANSFORMERS

462 Boston St - Topsfield, MA 01983 - Phone: 978-887-8050 - Fax: 978-887-5434

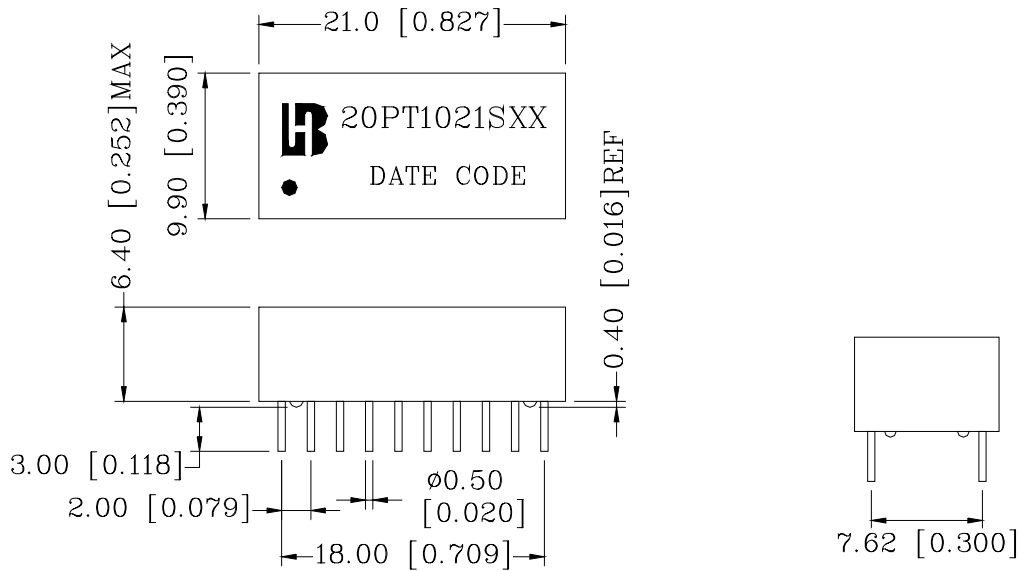
Mechanicals

DP1



Units: mm[Inches] Tolerance: xx.x0±0.25[0.010]
0.xx±0.05[0.002]

DP2



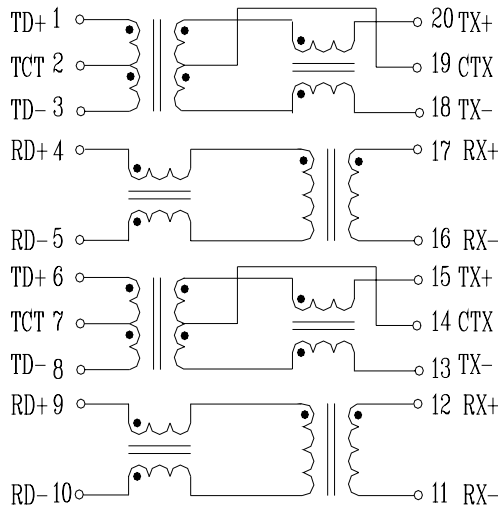
Units: mm[Inches] Tolerance: xx.x0±0.25[0.010]
0.xx±0.05[0.002]

10/100 BASE DUAL PORT TRANSFORMERS

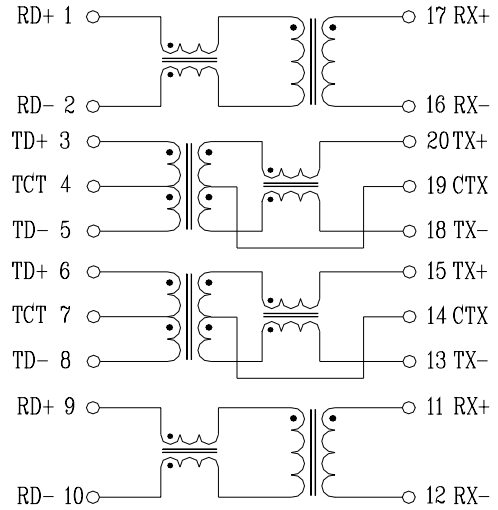
462 Boston St - Topsfield, MA 01983 - Phone: 978-887-8050 - Fax: 978-887-5434

Schematics

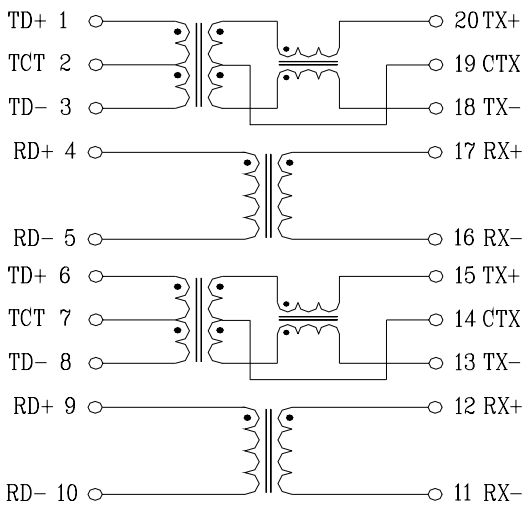
20PT1021



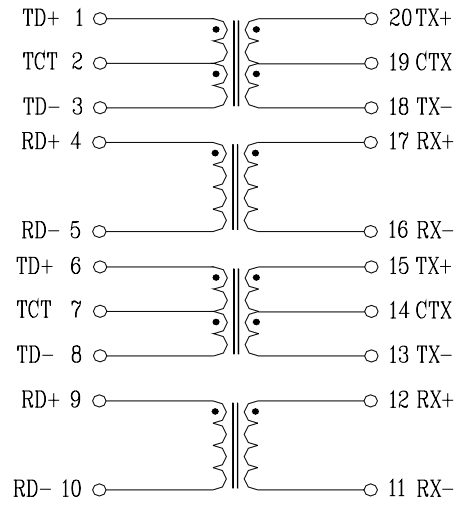
20PT1021A



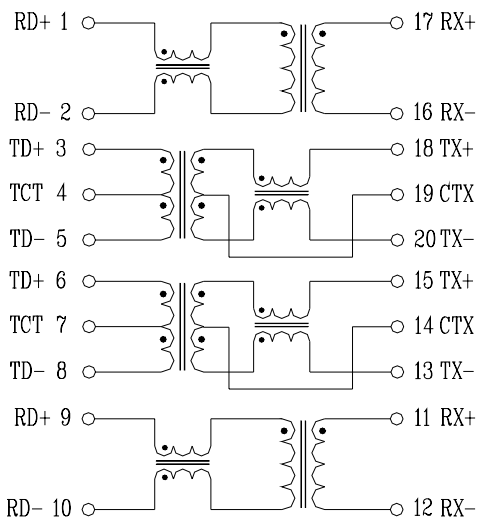
20PT1021B



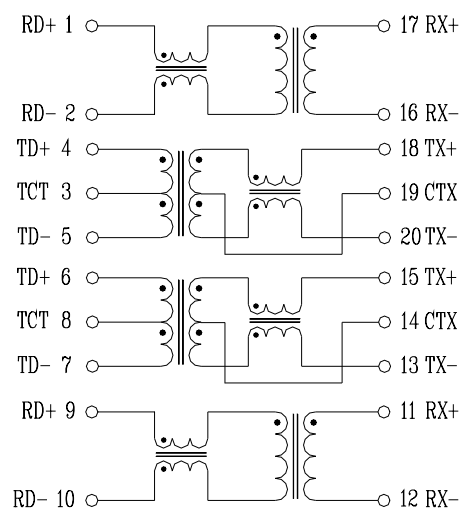
20PT1021C



20PT1021D



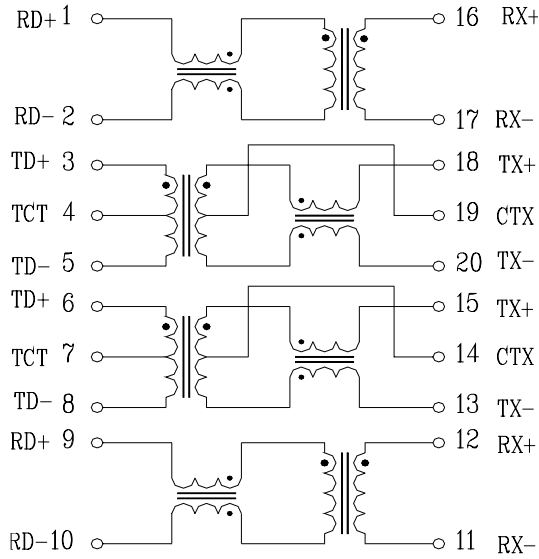
20PT1021E



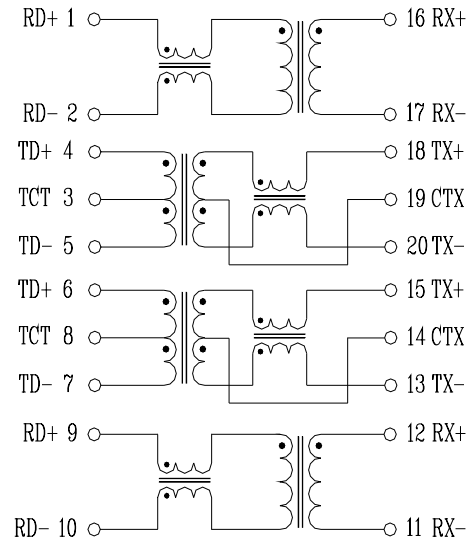
10/100 BASE DUAL PORT TRANSFORMERS

462 Boston St - Topsfield, MA 01983 - Phone: 978-887-8050 - Fax: 978-887-5434

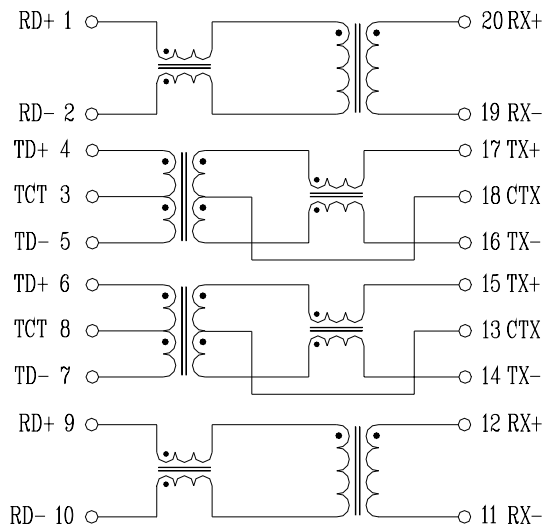
20PT1021F



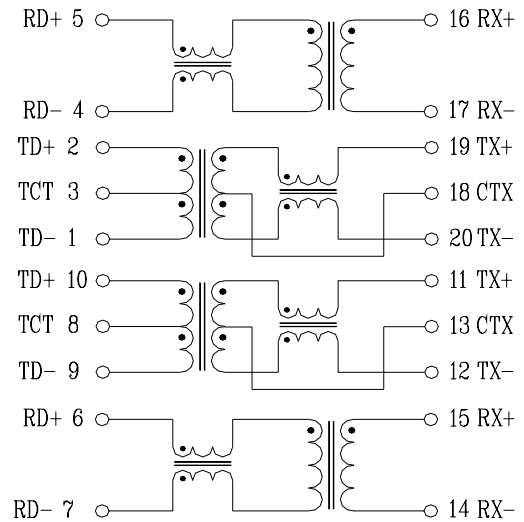
20PT1021G



20PT1021H



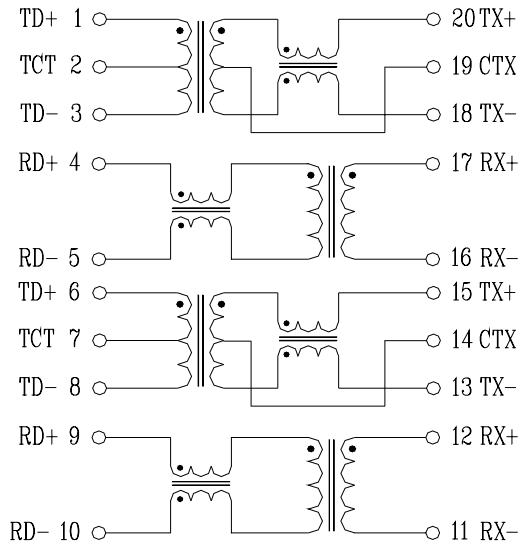
20PT1021J



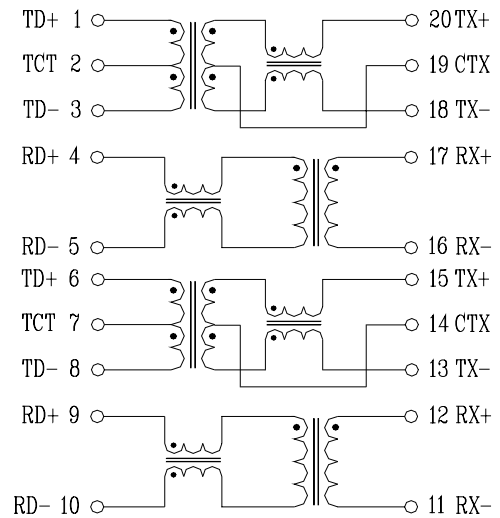
10/100 BASE DUAL PORT TRANSFORMERS

462 Boston St - Topsfield, MA 01983 - Phone: 978-887-8050 - Fax: 978-887-5434

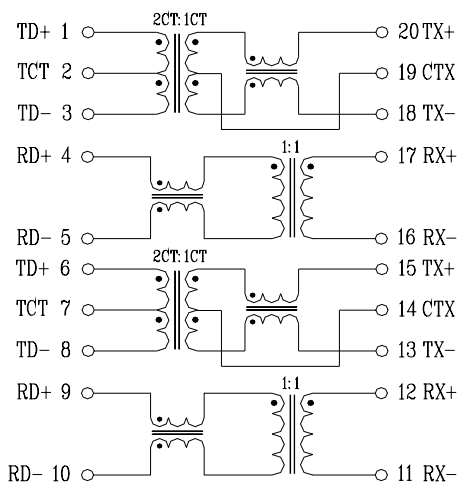
20PT1021R



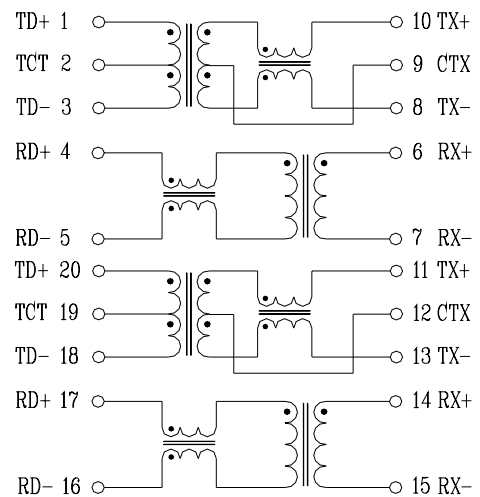
20PT1021S



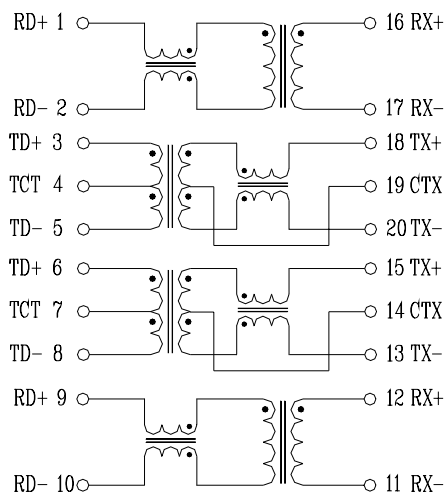
20PT1021S-2



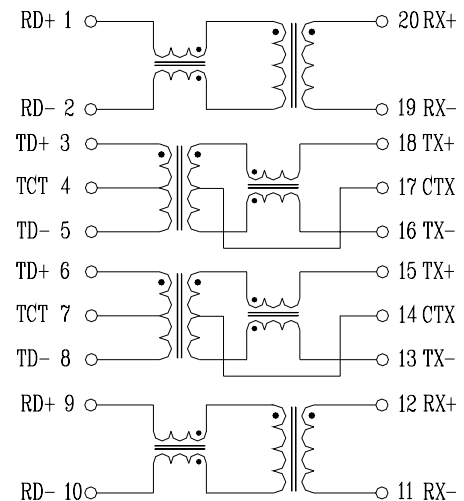
20PT1022



20PT1023



20PT1025



10/100 BASE DUAL PORT TRANSFORMERS

462 Boston St - Topsfield, MA 01983 - Phone: 978-887-8050 - Fax: 978-887-5434

20PT1025A

