

2.0mm DUAL ROW CRIMP HOUSING & CRIMP TERMINAL



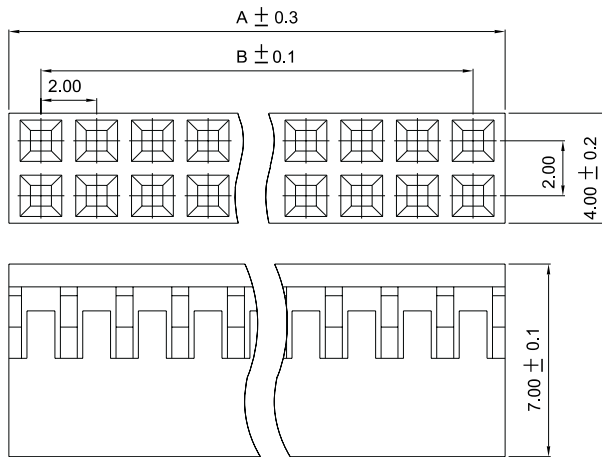
200124F Series

Mates With SUYIN 200112, 200114, 200194 Series

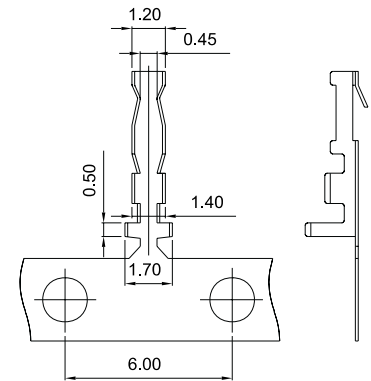
Specifications:

- 4-80 Circuits
- Insulator Material : Black P.B.T plastic
- Max Processing Temp.: -20°C to +85°C
- Terminal Material : Phosphor Bronze
- Plating : Contact-CT-223 Full Gold Plated
- Max. Current Rating : 1.5A
- Voltage Rating : 150V AC
- Dielectric Strength : 500V (Min. 60 Seconds)

2.0
mm



200123F□□00P2 (For #24AWG~#30AWG)



Order Information I

200124F□□□00ZA
1 23

1. No. of Housing
2. Color 'Z': Black
3. Housing Material : 'A' : PBT

Order Information II

200123F□□00P2
1

1. Plating

Dimensional Information

SUYIN P/NO.	DIM.A	DIM.B
200124F00400ZA	4.0	2.0
200124F00600ZA	6.0	4.0
200124F00800ZA	8.0	6.0
200124F01000ZA	10.0	8.0
200124F01200ZA	12.0	10.0
200124F01400ZA	14.0	12.0
200124F01600ZA	16.0	14.0
200124F01800ZA	18.0	16.0
200124F02000ZA	20.0	18.0
200124F02200ZA	22.0	20.0
200124F02400ZA	24.0	22.0
200124F02600ZA	26.0	24.0

SUYIN P/NO.	DIM.A	DIM.B
200124F02800ZA	28.0	26.0
200124F03000ZA	30.0	28.0
200124F03200ZA	32.0	30.0
200124F03400ZA	34.0	32.0
200124F03600ZA	36.0	34.0
200124F03800ZA	38.0	36.0
200124F04000ZA	40.0	38.0
200124F04200ZA	42.0	40.0
200124F04400ZA	44.0	42.0
200124F04600ZA	46.0	44.0
200124F04800ZA	48.0	46.0
200124F05000ZA	50.0	48.0