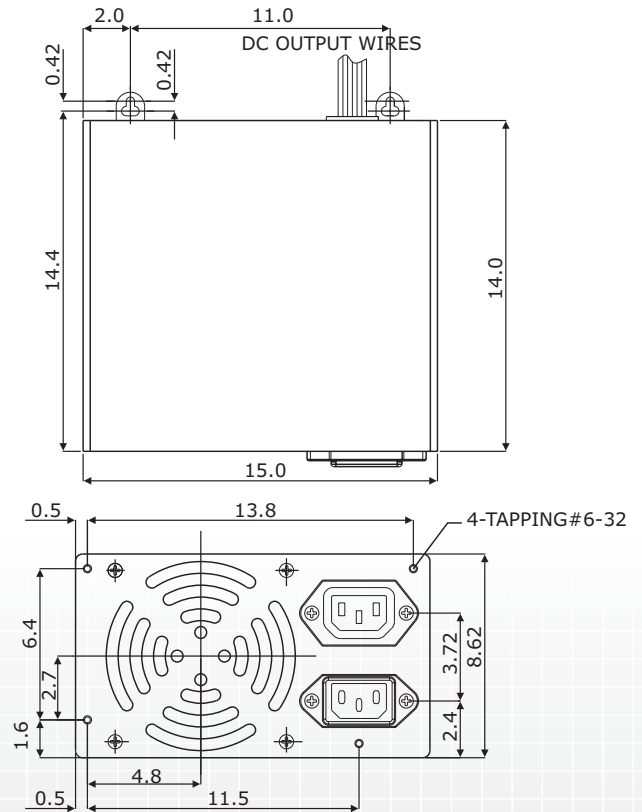


# ZKS-250AE

250W AC-DC AT Power Supply

Industrial Power Supply  
AC-DC



## FEATURES

- \***Input Voltage:** 90~135VAC, nominal 115VAC (90V at 200W, 103V at 250W load) or 180~265VAC, nominal 230VAC; selectable by side switch
- \***Input Frequency:** 47~63Hz single phase
- \***Input Current:** 6A (RMS) for 115VAC at without AC outlet; 3A (RMS) for 230VAC
- \***Inrush Current:** 70A at cold start
- \***Switching Frequency:** 30KHz typical
- \***Hold Up Time:** 16ms min.
- \***Brown Out Voltage:** 95V~max. 60Hz
- \***Output Power:** 250W at 45°C
- \***Power Up Time:** < 20ms for +5V output voltage
- \***Power Good Signal:** The power good signal will not be higher than 100~500ms after the +5V output stabilizes at its operating value when the unit is turned on
- \***Power Failure:** The TTL compatible signal will go down at least 1ms before +5V below 4.75V
- \***Efficiency:** 80% min. at full load (AC input 230V)
- \***Altitude:** 10,000 feet
- \***Protection:**
  - Over Voltage: 5.5~6.9V for +5V output, 13.8~15.6V for +12V output
  - Over Load: Total output from 110% min. to 140% max.; all output equipped w/short circuit protection; the outputs shall shut down if shorted to zero volts output
- \***Thermal System:** Forced air ventilation by DC ball bearing cooling fan; fan status monitoring is optional
- \***Temperature Coefficient:** +0.05% per °C
- \***Temperature:** 0~+50°C (operating); -10~+70°C (storage)
- \***Humidity:** 20~90% RH (operating); 10~98% RH (storage)
- \***Dimensions:** 15.0 x 14.0 x 8.6 cm

## SAFETY STANDARDS

\***Safety:** UL 1950 E147701 / TUV EN60950, R9552086 (Rheinland) / NORDIC (N, D, S, FI) / CE Report, ET84S-04-026 (ETC)

	+V1	+V2	-V3	-V4
DC Output	+5V	+12V	-5V	-12V
Max. Current	25A	10A	0.5A	0.5A
Min. Current	2.5A	0A	0A	0A
Load Regulation	5%	5%	10%	10%
Line Regulation	1%	1%	2%	2%
Ripple & Noise	50mV	100mV	150mV	150mV