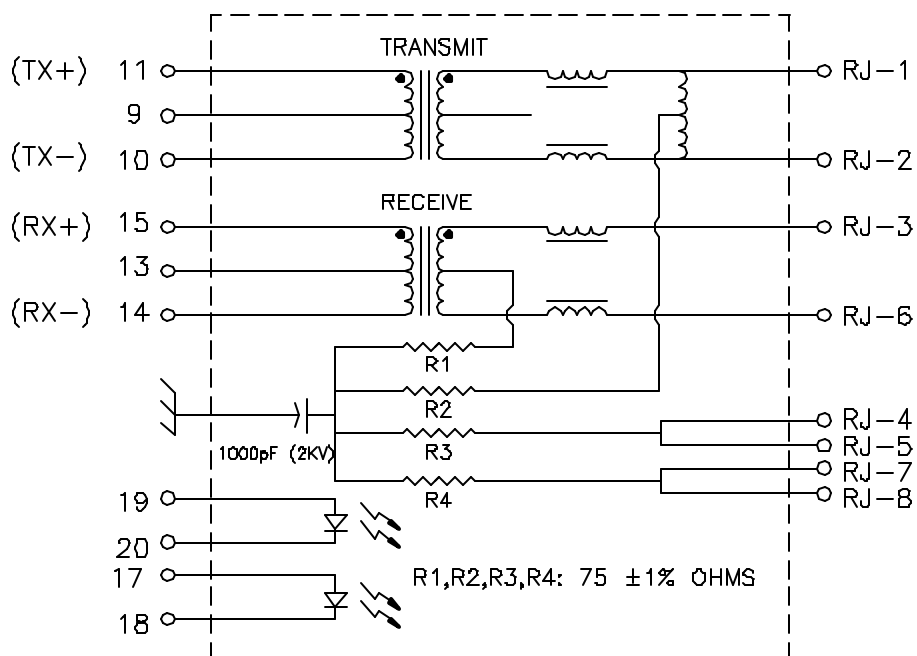


1. Schematic:



2. Electrical Specifications: @25°C

Isolation Voltage: 2250VDC/1500 VAC RJ contacts to shield & RJ contacts to PCB contacts.

Turns Ratio: (11-10):(RJ1-RJ2)=1CT:1CT±2%

Turns Ratio: (15-14):(RJ3-RJ6)=1CT:1CT±2%

RJ1-RJ2, RJ3-RJ6 OCL: 400uH Min. @100KHz 100mV 8mADC

INSERTION LOSS: 11,10-RJ1,RJ2&4,5-RJ3&RJ6 1.0dB Max @1MHz - 100MHz

Return Loss (11,10-RJ1,RJ2&4,5-RJ3,RJ6): -18dB from 1-30MHz
 -18dB @30MHz to -16dB @60MHz
 -16dB @60MHz to -12dB @80MHz
 -12dB @80MHz to -10dB @100MHz

DCR: (11-10, 15-14, RJ1-RJ2, RJ3-RJ6) 1.4 Ohms Max

Crosstalk: Pair to Pair (11,10-15,14 with RJ1-RJ2 & RJ3-RJ6 terminated with 100 ohms)
 -40dB Typical, -38dB Max @1-100MHz

Crosstalk: Pair to LED (11,10-19,20 & 15,14-18,17 with RJ1-RJ2 & RJ3-RJ6 terminated with 100 ohms)
 -60dB Typical, -50dB Max @1-100MHz

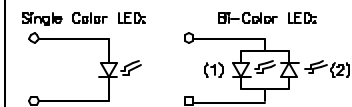
CDMR (11,10-RJ1,RJ2 & 15,14-RJ3,RJ6): -55dB Typical, -50dB Max @1-100MHz

CCMR (11,10-RJ1,RJ2 & 15,14-RJ3,RJ6): -80dB Max @1MHz -65dB Max @30MHz
 -65dB Max @30MHz -55dB Max @60MHz
 -55dB Max @60MHz -45dB Max @100MHz
 -45dB Max @100MHz -38dB Max @175MHz
 -38dB Max @175MHz -35dB Max @250MHz
 -35dB Max @250MHz -35dB Max @500MHz

Complete the Combo P/N as follows:

Replace 'x' & 'u' in the part number with one of the LED color letters:

Y=Yellow 'x' = Left LED Color
 G=Green 'u' = Right LED Color
 A=Amber
 R=Red
 N=Yellow(1)/Green(2) Bicolor
 M=Green(1)/Yellow(2) Bicolor



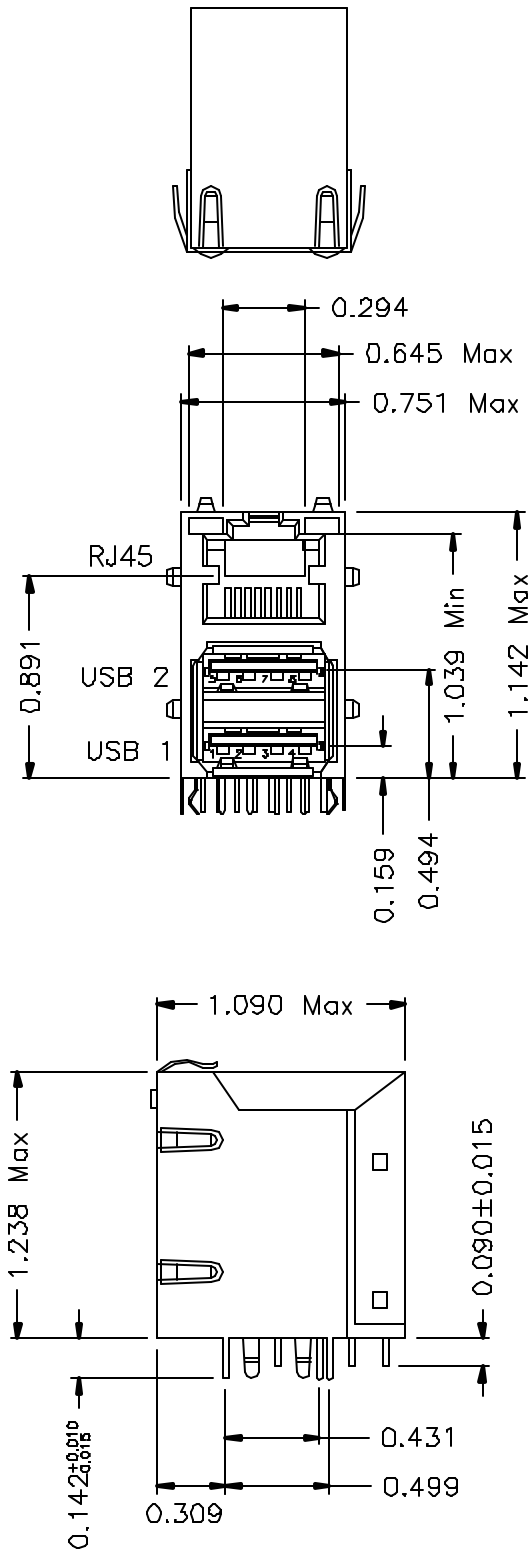
Notes:

- Solderability: Leads shall meet ML-STD-202, Method 208D for solderability.
- Flammability: UL94V-0
- ASTM oxygen index: > 28%
- Insulation System: Class F 155°C, UL File E151556
- Operating Temperature Range: -20°C to +85°C

DOC. REV A/2

XFMRs Inc.		Title: STACKED USB COMBO	
UNLESS OTHERWISE SPECIFIED		P/N: XFATM9M-USBxu-4	
TOLERANCES: xxx ±0.010		REV. A	
Dimensions in Inch		DWN. 李小锋	May-02-03
SHEET 1 OF 3		CHK. 廖玉坤	May-02-03
		APP. MS	May-02-03

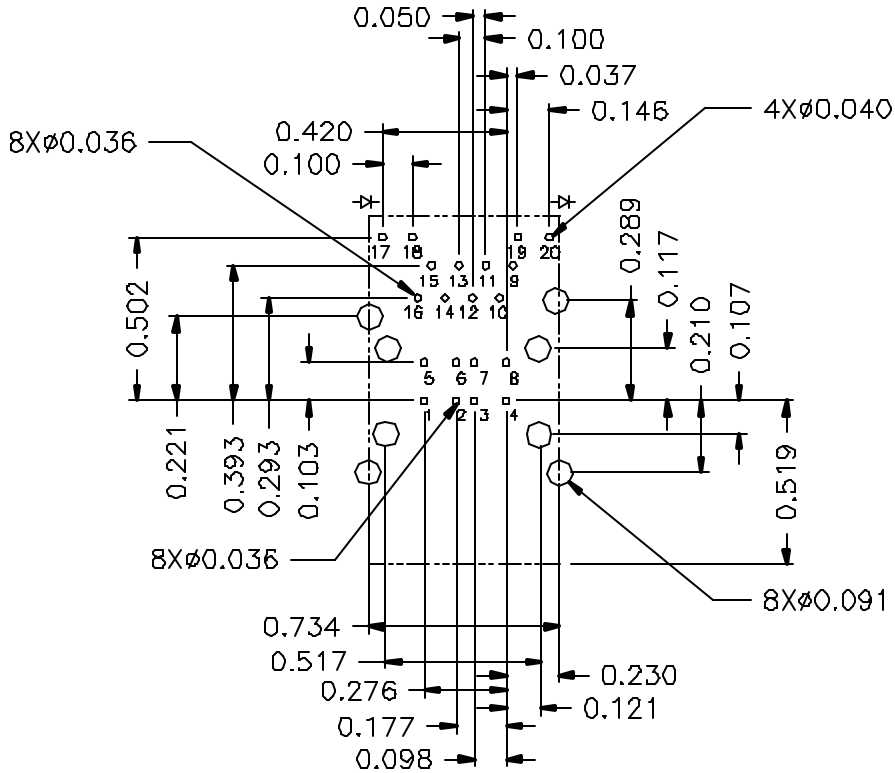
3. Mechanical Dimensions:



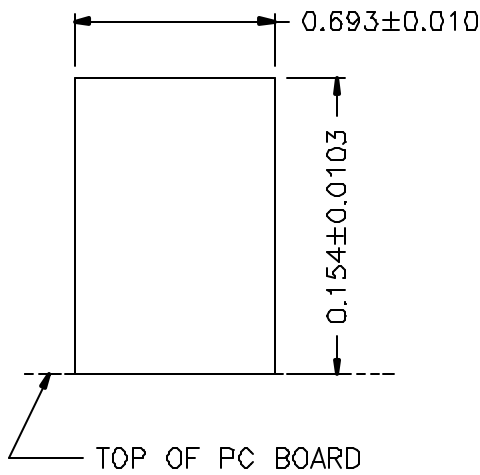
DOC. REV. A/2

XFMRs Inc.		Title: Mechanical Dimensions For STACKED USB COMBO	
UNLESS OTHERWISE SPECIFIED TOLERANCES: .xxx ±0.010 Dimensions in Inch	P/N: XFATM9M-USBxu-4	REV. A	
	DWN.	李小锋	May-02-03
	CHK.	康玉坤	May-02-03
	APP.	MS	May-02-03
SHEET 2 OF 3			

3. Mechanical Dimensions (cont.):



SUGGESTED PC BOARD LAYOUT VIEW
FROM COMPONENT SIDE



RECOMMENDED PANEL CUT-OUT

DOC. REV. A/2

XFMRs Inc. UNLESS OTHERWISE SPECIFIED TOLERANCES: .xxx ±0.010 Dimensions in Inch SHEET 3 OF 3	Title: Mechanical Dimensions For STACKED USB COMBO		
	P/N: XFATM9M-USBxu-4		REV. A
	DWN.	李小锋	May-02-03
	CHK.	康玉坤	May-02-03
	APP.	MS	May-02-03