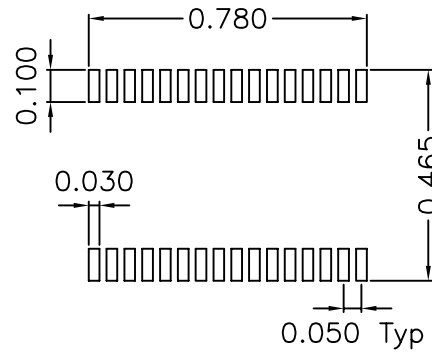
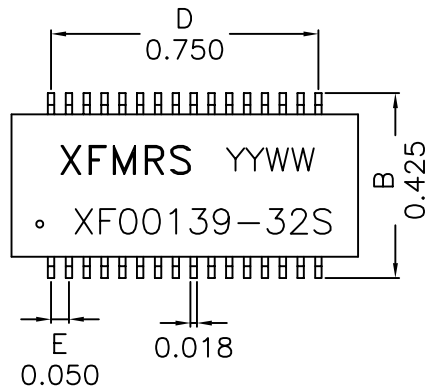
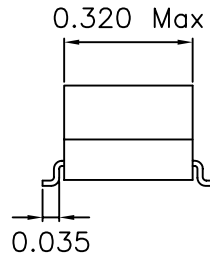
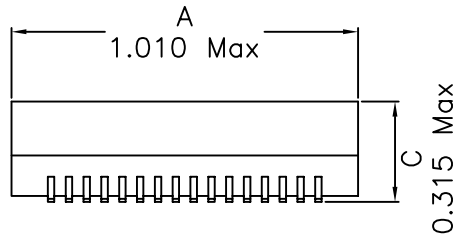
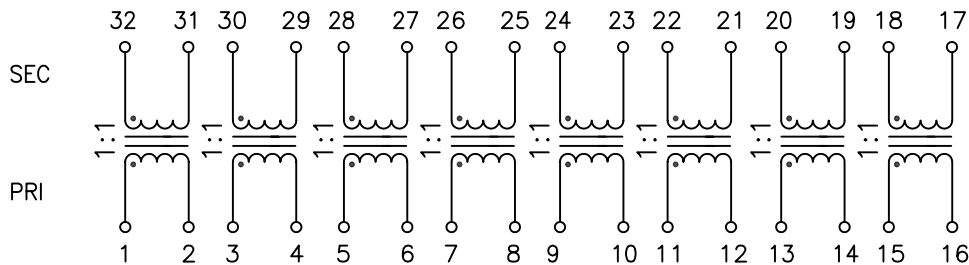


### 1. Mechanical Dimensions:



SUGGESTED PAD LAYOUT

### 2. Schematic:



DOC REV: A/1

### 3. Electrical Specifications: @25°C

ISOLATION: 1500Vrms (PRI to SEC)

TURNS RATIO: (PRI:SEC)=1:1±2%

SEC OCL: 1.20mH Min @10KHz 50mV

CW/W: 30pF Max @10KHz 50mV (PRI/SEC)

SEC LL: 0.6uH Max @100KHz 50mV, Short PRI

CROSSTALK: -60dB Typ

Notes:

1. Solderability: Leads shall meet MIL-STD-202, Method 208D for solderability.
2. Flammability: UL94V-0
3. ASTM oxygen index: > 28%
4. Insulation System: Class F 155°C. UL file E151556
5. Operating Temperature Range: All listed parameters are to be within tolerance from -40°C to +85°C
6. Storage Temperature Range: -55°C to +125°C
7. Designed to meet UL60950 for Supplementary Insulation.

<b>XFMRS Inc</b>		Title: T1/E1/CEPT QUAD PORT	
UNLESS OTHERWISE SPECIFIED		P/N: XF00139-32S	REV. A
TOLERANCES: .xxx ±0.010		DWN. 罗振江	Sep-25-03
Dimensions in INCH		CHK. 廖玉坤	Sep-25-03
SHEET 1 OF 1		APP. Isaiah M	Sep-25-03