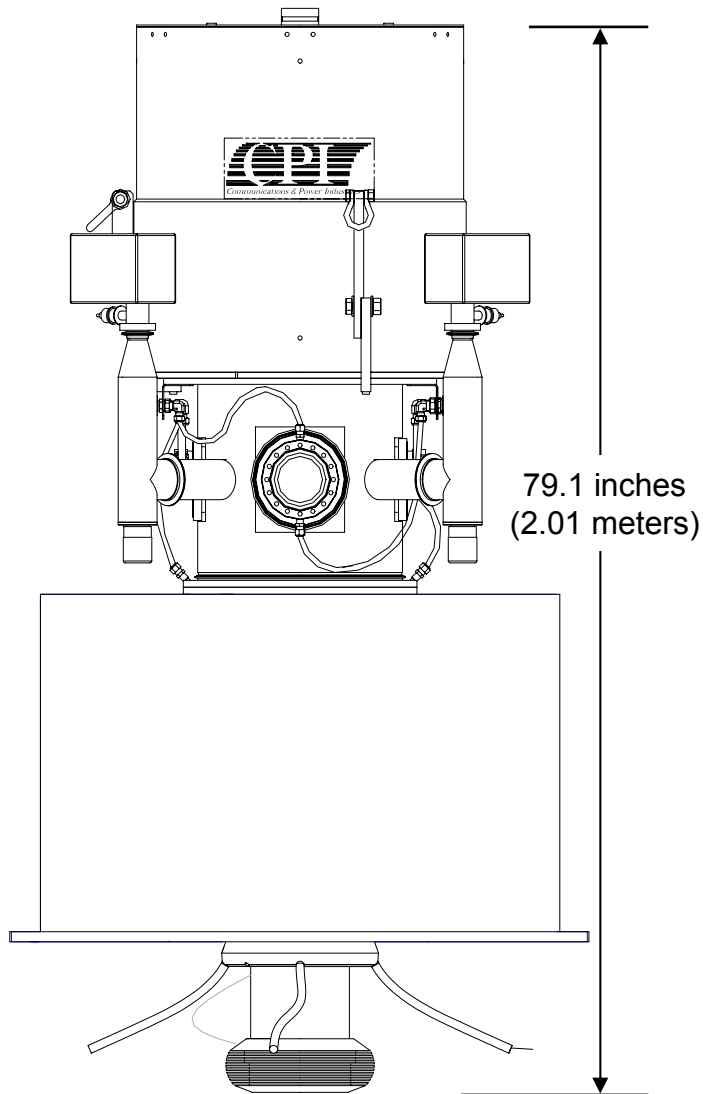


VGB-8084A Gyrotron Oscillator



CPI gyrotrons were the first commercially available high-power, long-pulse/CW, high-frequency devices for plasma fusion experiments and other scientific and industrial applications. CPI-MPP provides an extensive line of gyrotrons that cover frequencies from 28-140 GHz with power levels ranging from 10 kW to 1.3 MW.

The VGB-8084A gyrotron delivers output power levels up to 600 kW at a frequency of 84 GHz.

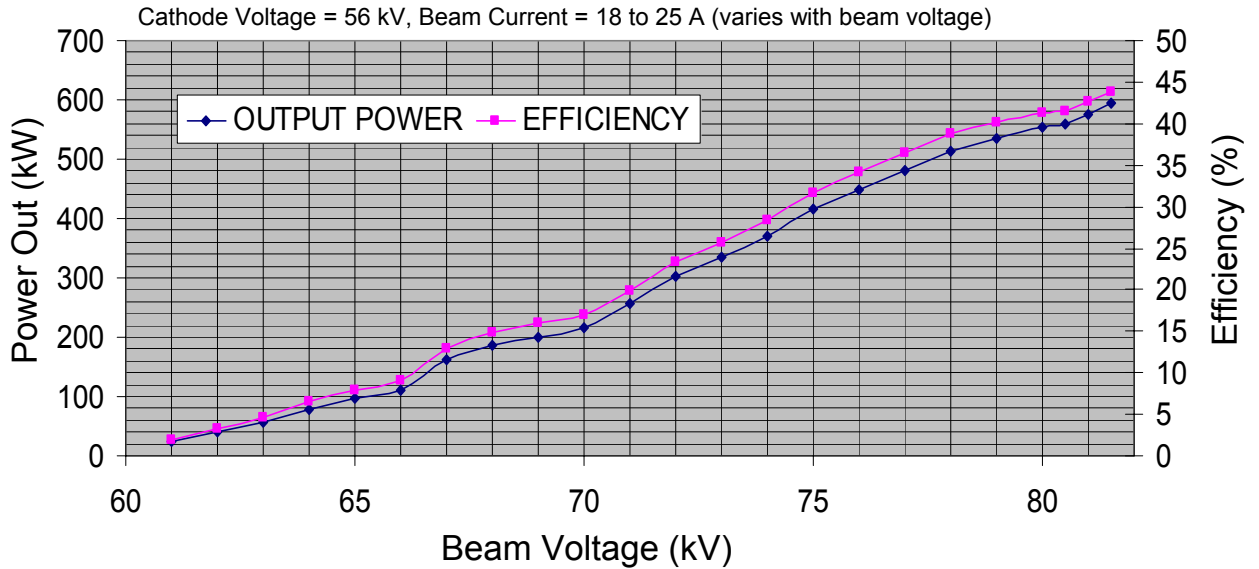


For additional information on gyrotrons, other CPI products, or a copy of our catalog-on-disk, please contact:
CPI Microwave Power Products, 811 Hansen Way, Palo Alto, CA 94303-0750
Telephone: 650-846-3172, Fax: 650-856-0705, Email: marketing@cpii.com

VGB-8084A Gyrotron Oscillator



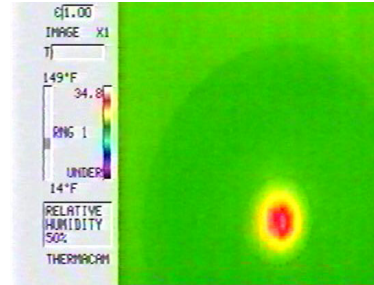
Power & Efficiency vs. Beam Voltage



CVD Diamond Output Window



Infrared Image of Beam at Output Window



Features

- Gaussian Output Beam
- CVD Diamond Output Window
- Diode Electron Gun
- Single-Stage Depressed Collector
- Long Hold-Time Superconducting Magnet

Typical Operating Parameters

| | |
|-----------------|-------------------|
| Power Output | 600 kW |
| Pulse Length | 2 sec |
| Cathode Voltage | -60 kV |
| Body Voltage | +20 kV |
| Beam Current | 25 A |
| Frequency | 84±0.2 GHz |
| Efficiency | 40% |
| Gyrotron Weight | 1800 lbs |
| Output Mode | TEM ₀₀ |

For additional information on gyrotrons, other CPI products, or a copy of our catalog-on-disk, please contact:
 CPI Microwave Power Products, 811 Hansen Way, Palo Alto, CA 94303-0750
 Telephone: 650-846-3172, Fax: 650-856-0705, Email: marketing@cpii.com