

### 1. PART NO. EXPRESSION :

T B C 3 2 1 7 - 8 5 0 M - 2 6

(a) (b) (c) (d) (e)

(a) Series code

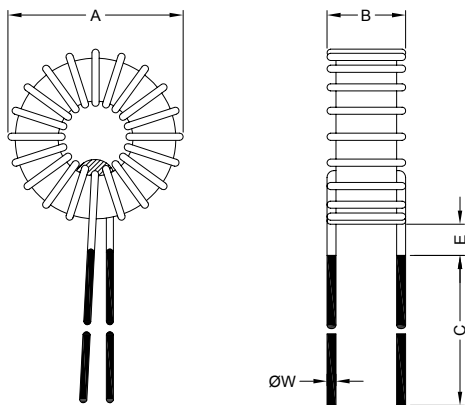
(b) Dimension code

(c) Inductance code : 850 = 85.0uH

(d) Tolerance code : M = ±20%

(e) Material code

### 2. CONFIGURATION & DIMENSIONS :



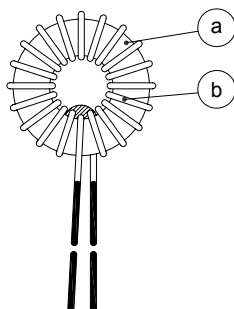
Unit:m/m

A	B	C	E	ØW
32.00 Max.	17.00 Max.	15.00±3.0	1.00 Max.	1.00 Ref.

### 3. SCHEMATIC :



### 4. MATERIALS :



(a) Core : Iron Powder Core

(b) Wire : Enamelled Copper Wire



**RoHS Compliant**

NOTE : Specifications subject to change without notice. Please check our website for latest information.

19.06.2008



**SUPERWORLD ELECTRONICS (S) PTE LTD**

### 5. GENERAL SPECIFICATION :

- a) Temp. rise : 40°C Max. at Irms
- b) Storage temp. : -40°C to +125°C
- c) Operating temp. : -25°C to +105°C

### 6. ELECTRICAL CHARACTERISTICS :

Part No.	Inductance ( uH ) ±20%	DC Resistance ( mΩ ) Max.	Irms ( A )	Isat ( A )
TBC3217-850M-26	85.0	30	3.60	5.00
TBC3217-850M-52	85.0	30	3.60	6.00
TBC3217-151M-26	150.0	45	3.00	3.70
TBC3217-151M-52	150.0	45	3.00	4.50
TBC3217-231M-26	235.0	57	2.60	3.00
TBC3217-231M-52	235.0	57	2.60	3.60



**RoHS Compliant**

NOTE : Specifications subject to change without notice. Please check our website for latest information.

19.06.2008



**SUPERWORLD ELECTRONICS (S) PTE LTD**