



TAI-SAW TECHNOLOGY CO., LTD.

No. 3, Industrial 2nd Rd., Ping-Chen Industrial District,
Taoyuan, 324, Taiwan, R.O.C.

TEL: 886-3-4690038 FAX: 886-3-4697532

E-mail: tstsales@mail.taisaw.com Web: www.taisaw.com

Approval Sheet For Product Specification

Issued Date: Oct, 22, 2004

Product Name: SAW Filter 1747.5 MHz SMD 3X3 mm

TST Parts No.:TA0391A

Customer Parts No.:_____

Company:_____
Division:_____
Approved by :_____
Date:_____

Checked by:_____ Bob Chau

Approval by:_____ Francis Chen

Date:_____ 10, 22, 2004



TAI-SAW TECHNOLOGY CO., LTD.

No. 3, Industrial 2nd Rd., Ping-Chen Industrial District,
Taoyuan, 324, Taiwan, R.O.C.

TEL: 886-3-4690038 FAX: 886-3-4697532

E-mail: tstsales@mail.taisaw.com Web: www.taisaw.com

SAW Filter 1747.5 MHz for PCN

MODEL NO.: TA0391A

REV. NO.:1

A. MAXIMUM RATING:

1. Input Power Level: 5 dB_m
2. DC voltage: 0 V
3. Operating Temperature: -20°C to +70°C
4. Storage Temperature: -40°C to +85°C

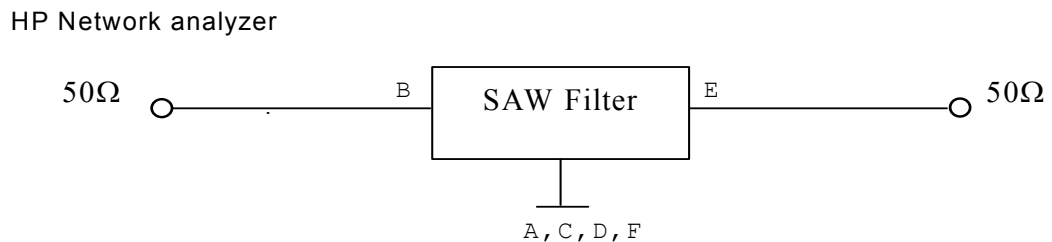
RoHS Compliant
Lead free
Lead-free soldering

B. ELECTRICAL CHARACTERISTICS:

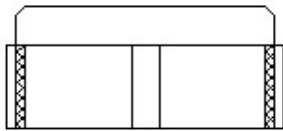
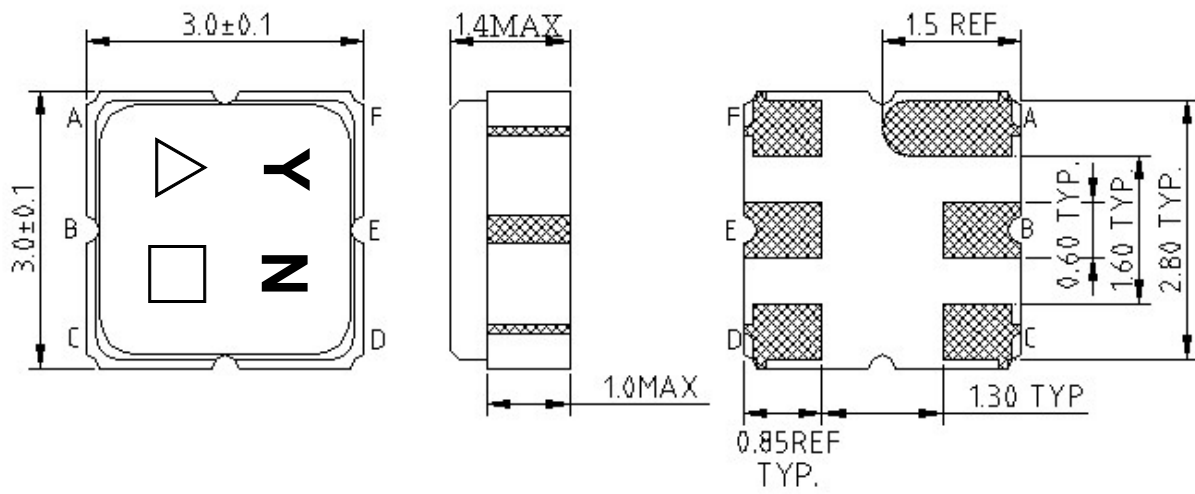
Item		Min.	Typ.	Max.
Center frequency	F_c (MHz)	-	1747.5	-
Insertion loss (1710~1785 MHz)	IL (dB)	-	2.6	4.0
Amplitude ripple (1710~1785 MHz)	(dB)	-	1.6	2.5
Attenuation (Reference level from 0 dB)				
10 ~ 1670	MHz (dB)	15	23	-
1670 ~ 1690	MHz (dB)	6	23.9	-
1805 ~ 1880	MHz (dB)	6	24	-
1880 ~ 4500	MHz (dB)	15	25	-
4500 ~ 5000	MHz (dB)	10	14	-
Input/Output VSWR (1710~1785 MHz)		-	1.8	2.5
Source impedance	Z _s (Ω)	-	50	-
Load impedance	Z _L (Ω)	-	50	-

Note1. The standard definitions is in JIS C 6703

C. MEASUREMENT CIRCUIT:



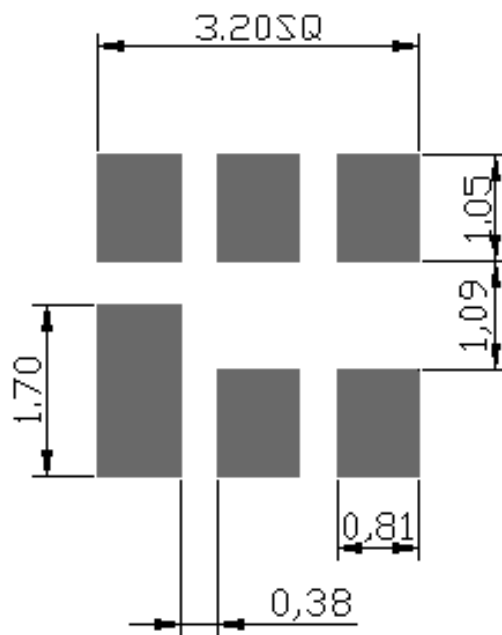
D. OUTLINE DRAWING:



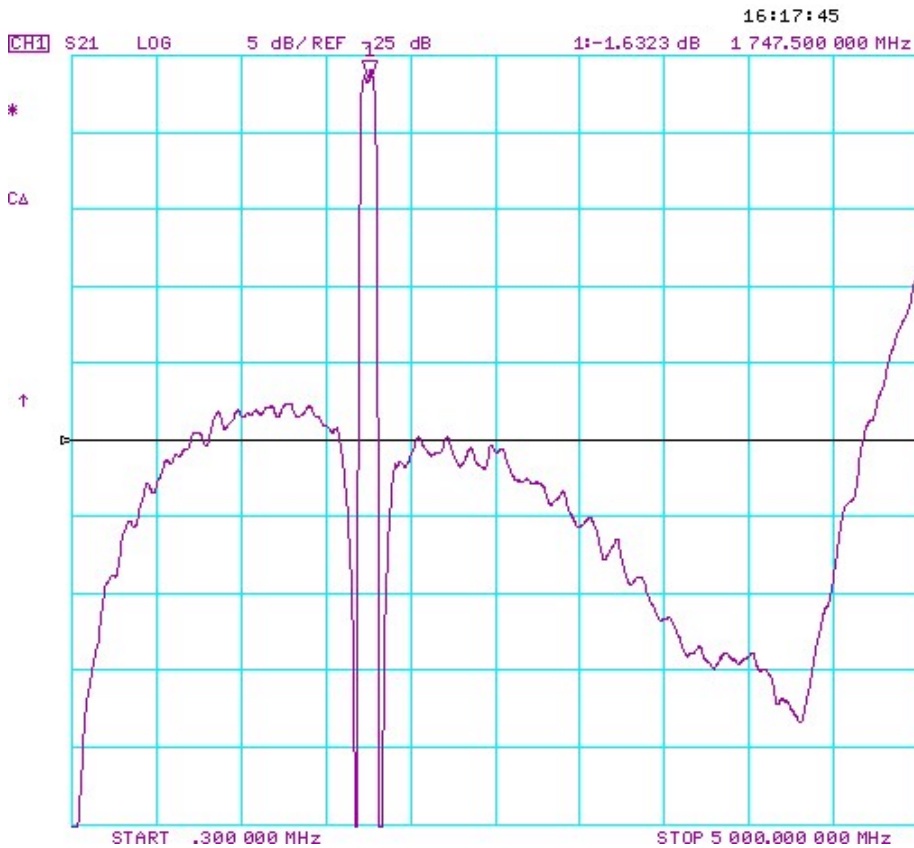
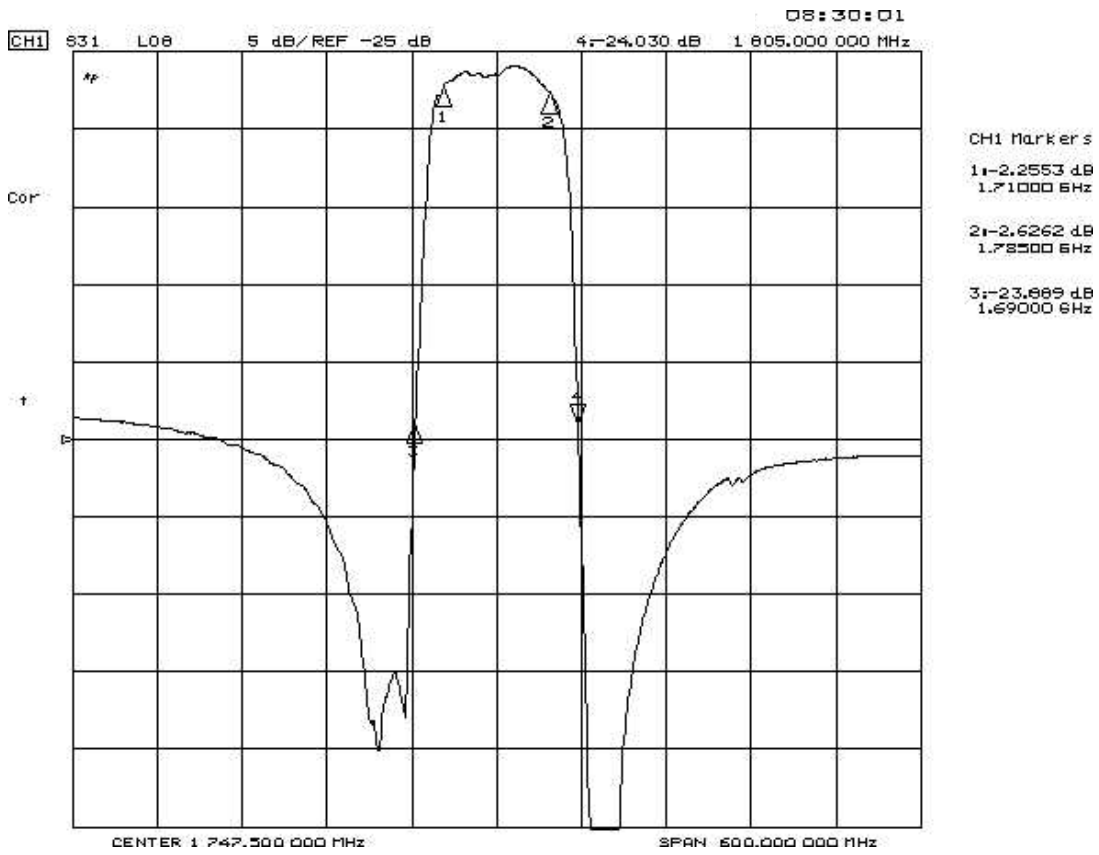
B INPUT
 E OUTPUT
 A,C,D,F GROUND
 DIMENSION : mm

△ : Year Code
 □ : Date Code

E. PCB Footprint:

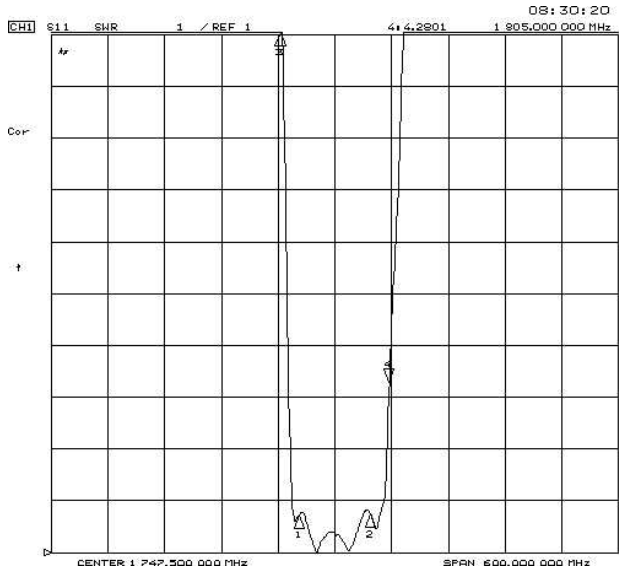


F. Frequency Characteristics : Transfer function



Reflections Functions :

S11

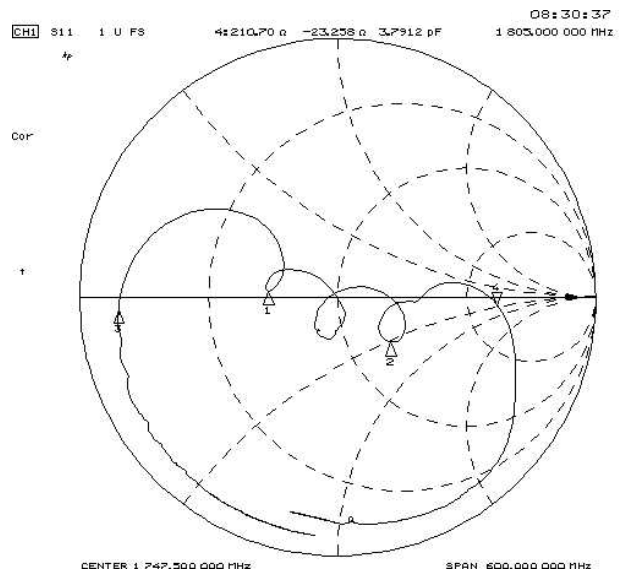


CHI Markers

1: 1.7314
1.71000 GHz

2: 1.7427
1.79500 GHz

3: 1.2317
1.69000 GHz



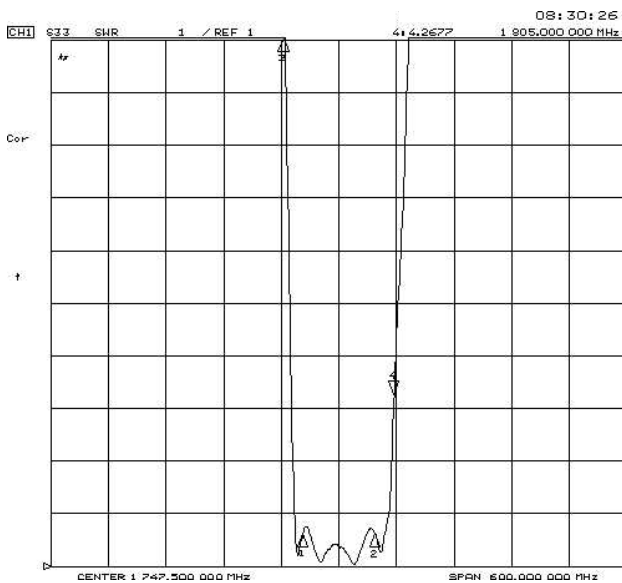
CHI Markers

1: 20.925 a
1.55113 a
1.71000 GHz

2: 70.387 a
-26.469 a
1.79500 GHz

3: 4.0852 a
-1.354 a
1.69000 GHz

S22

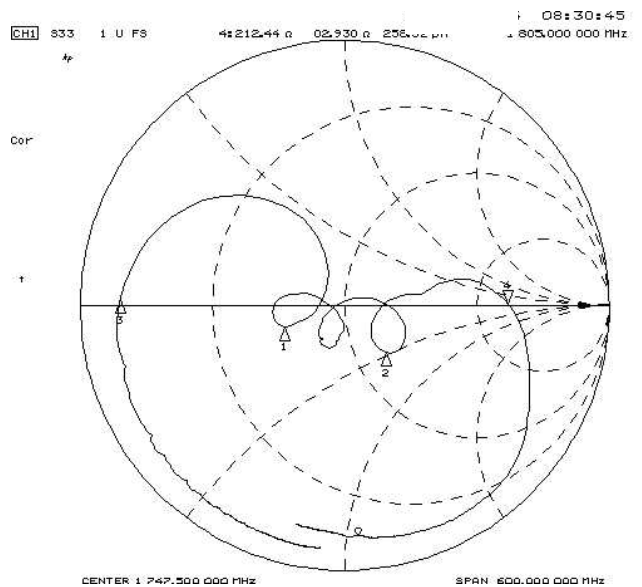


CHI Markers

1: 1.630P
1.71000 GHz

2: 1.6255
1.79500 GHz

3: 1.2279
1.69000 GHz



CHI Markers

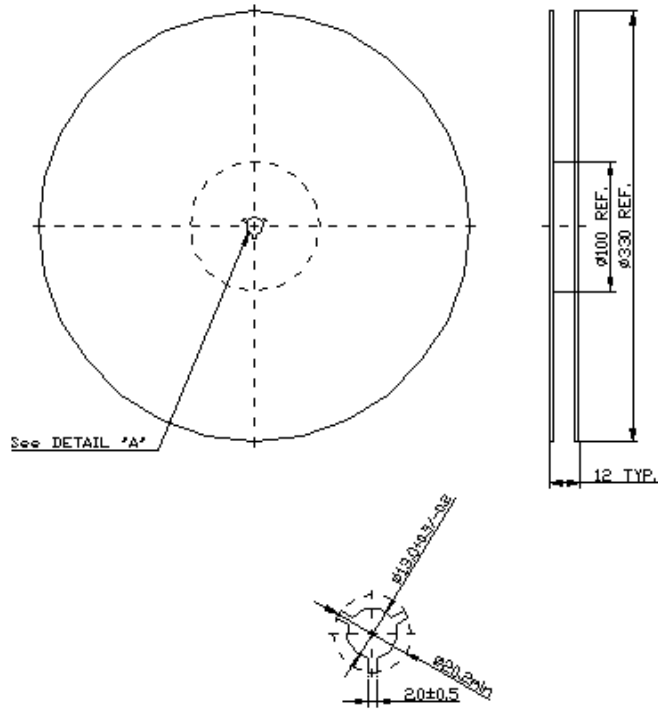
1: 31.264 a
-5.2490 a
1.71000 GHz

2: 63.759 a
-24.029 a
1.79500 GHz

3: 4.0713 a
679.93 mΩ
1.69000 GHz

G. PACKING:

1. REEL DIMENSION



2. TAPE DIMENSION

