



# TAI-SAW TECHNOLOGY CO., LTD.

No. 3, Industrial 2nd Rd., Ping-Chen Industrial District,  
Taoyuan, 324, Taiwan, R.O.C.

TEL: 886-3-4690038 FAX: 886-3-4697532

E-mail: [tstsales@mail.taisaw.com](mailto:tstsales@mail.taisaw.com) Web: [www.taisaw.com](http://www.taisaw.com)

## Approval Sheet For Product Specification

Issued Date:

Product Name: SAW Filter 743MHz SMD 5.0×5.0 mm

TST Parts No.:TA0343A

Customer Parts No.:\_\_\_\_\_

Company: _____
Division: _____
Approved by : _____
Date: _____

Checked by: \_\_\_\_\_ Elvis Chiu

Approval by: \_\_\_\_\_ Francis Chen

Date: \_\_\_\_\_ 2004/05/27



# TAI-SAW TECHNOLOGY CO., LTD.

No. 3, Industrial 2nd Rd., Ping-Chen Industrial District,  
Taoyuan, 324, Taiwan, R.O.C.

TEL: 886-3-4690038 FAX: 886-3-4697532

E-mail: [tstsales@mail.taisaw.com](mailto:tstsales@mail.taisaw.com) Web: [www.taisaw.com](http://www.taisaw.com)

## SAW Filter 743 MHz

MODEL NO.: TA0343A

REV. NO.:1

### A. MAXIMUM RATING:

1. Input Power Level: 12 dB<sub>m</sub>
2. DC voltage: 10 V
3. Operating Temperature: -10°C to +60°C
4. Storage Temperature: -40°C to +85°C

RoHS Compliant  
Lead free  
Lead-free soldering

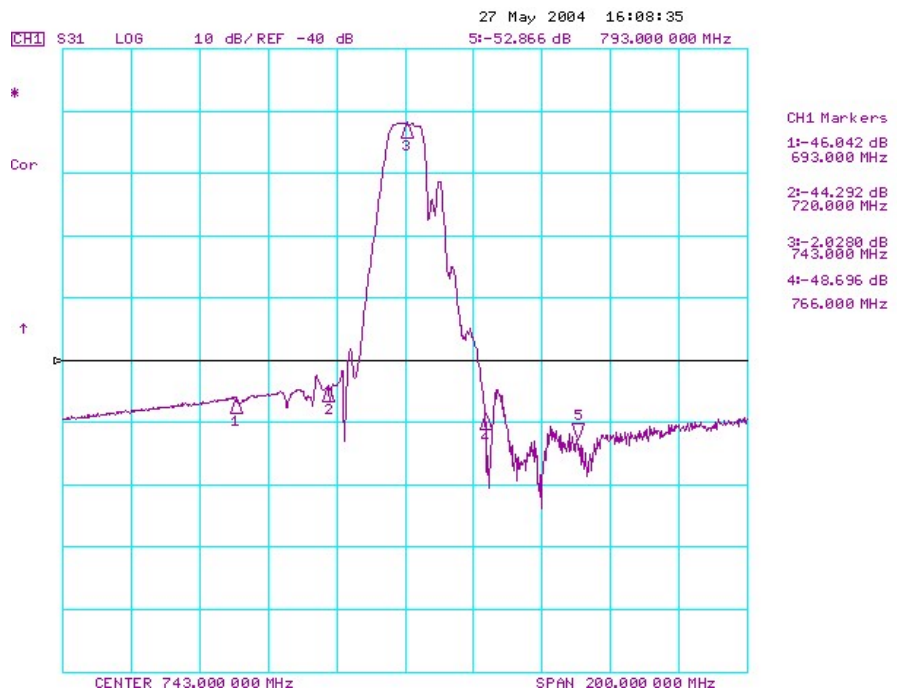
### B. ELECTRICAL CHARACTERISTICS:

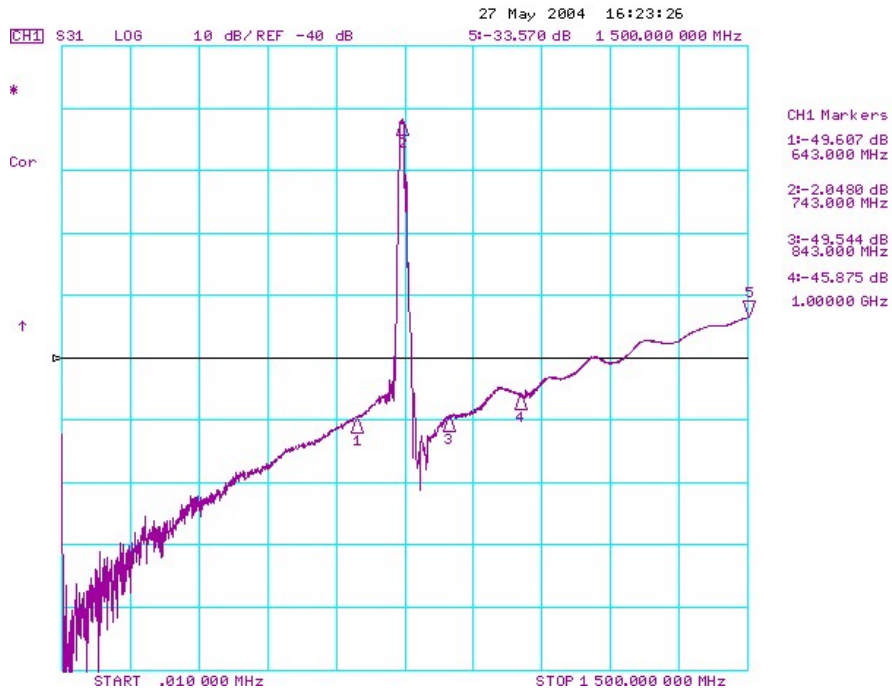
Reference temperature: 25°C

Item				Min.	Typical	Max.
<b>Center frequency</b>	<b>Fc</b>	MHz		-	743	-
<b>Insertion loss</b>	740 ~ 746 MHz	<b>IL</b>	dB	-	2.6	4.5
<b>Amplitude ripple</b>	740 ~ 746 MHz		dB	-	0.7	
<b>Absolute Attenuation</b>						
	0 ~ 643 MHz		dB	43	49	-
	643 ~ 693 MHz		dB	40	46	-
	693 ~ 720 MHz		dB	35	42	-
	766 ~ 793 MHz		dB	35	45	-
	793 ~ 843 MHz		dB	40	49	-
	843 ~ 1000 MHz		dB	38	45	-
	1000 ~ 1500 MHz		dB	25	33	-
<b>Group Delay Variation (p-p)</b>			ns	-	45	-
<b>Temperature coefficient of frequency</b>			ppm/°C		-35	
<b>Source impedance</b>		Z <sub>s</sub>	Ω	-	50	-
<b>Load impedance</b>		Z <sub>L</sub>	Ω	-	50	-

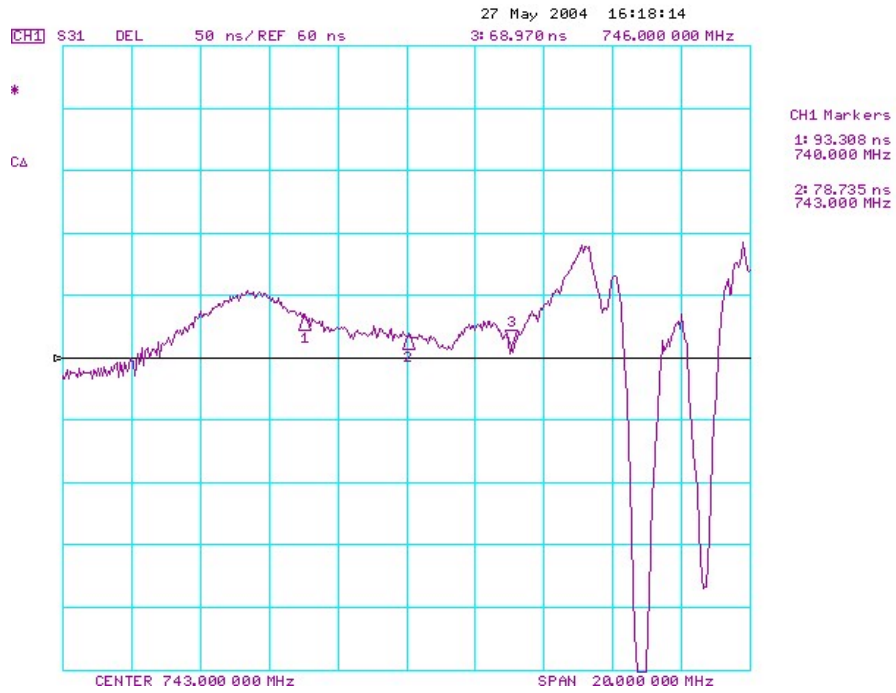
### C. Frequency Characteristics :

Transfer Function:

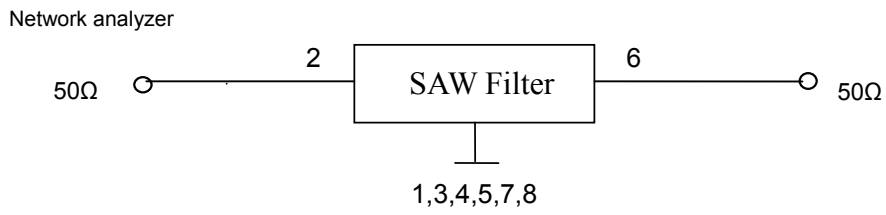




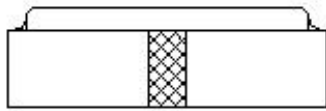
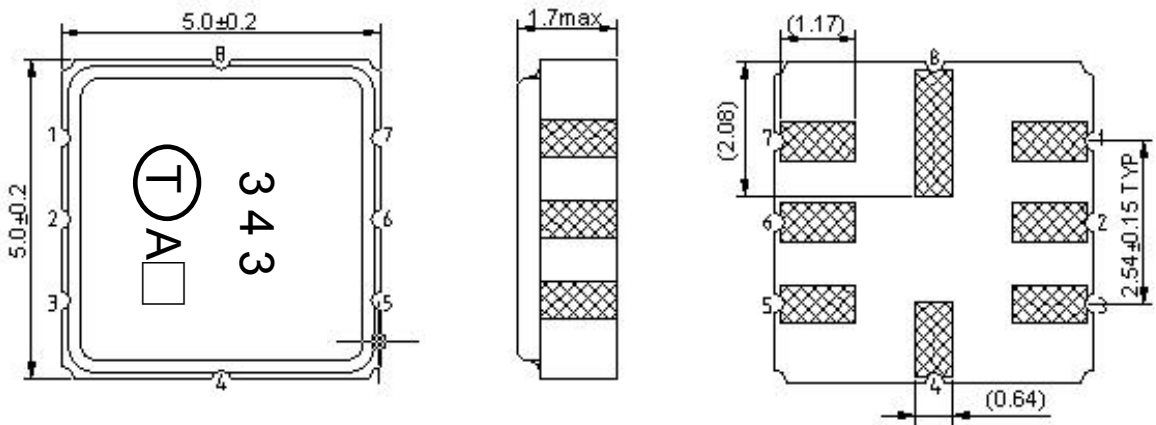
Group Delay:



**D. MEASUREMENT CIRCUIT:**

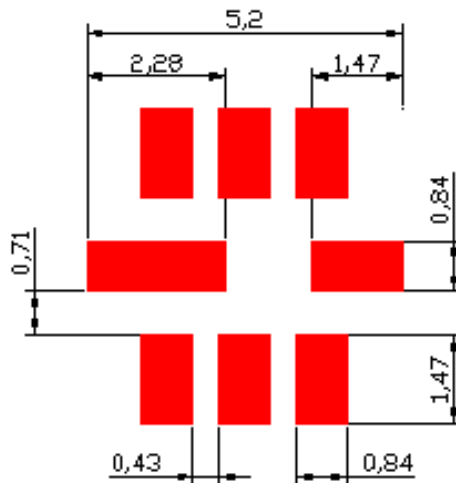


**E. OUTLINE DRAWING:**



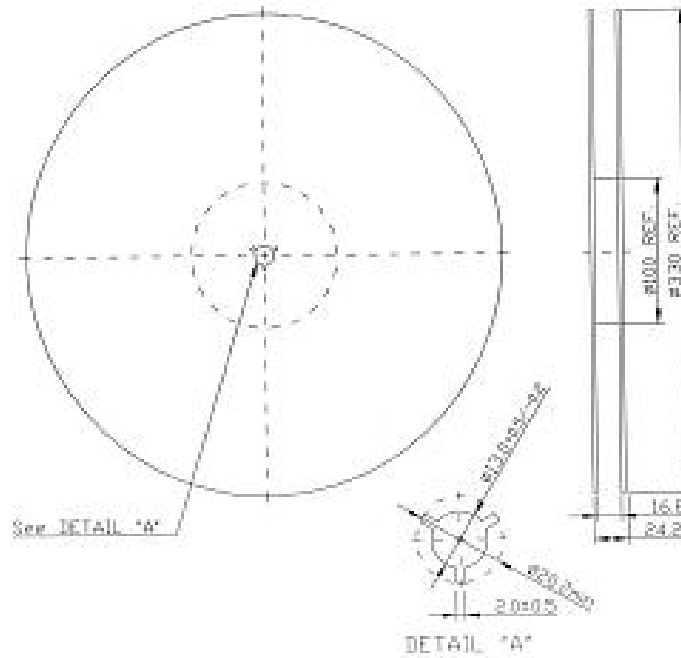
- #2: Input
- #6: Output
- #1,3,4,5,7,8: Ground
- : Date Code
- Unit: mm

**F. PCB Footprint:**



## G. PACKING:

### 1. REEL DIMENSION



### 2. TAPE DIMENSION

