

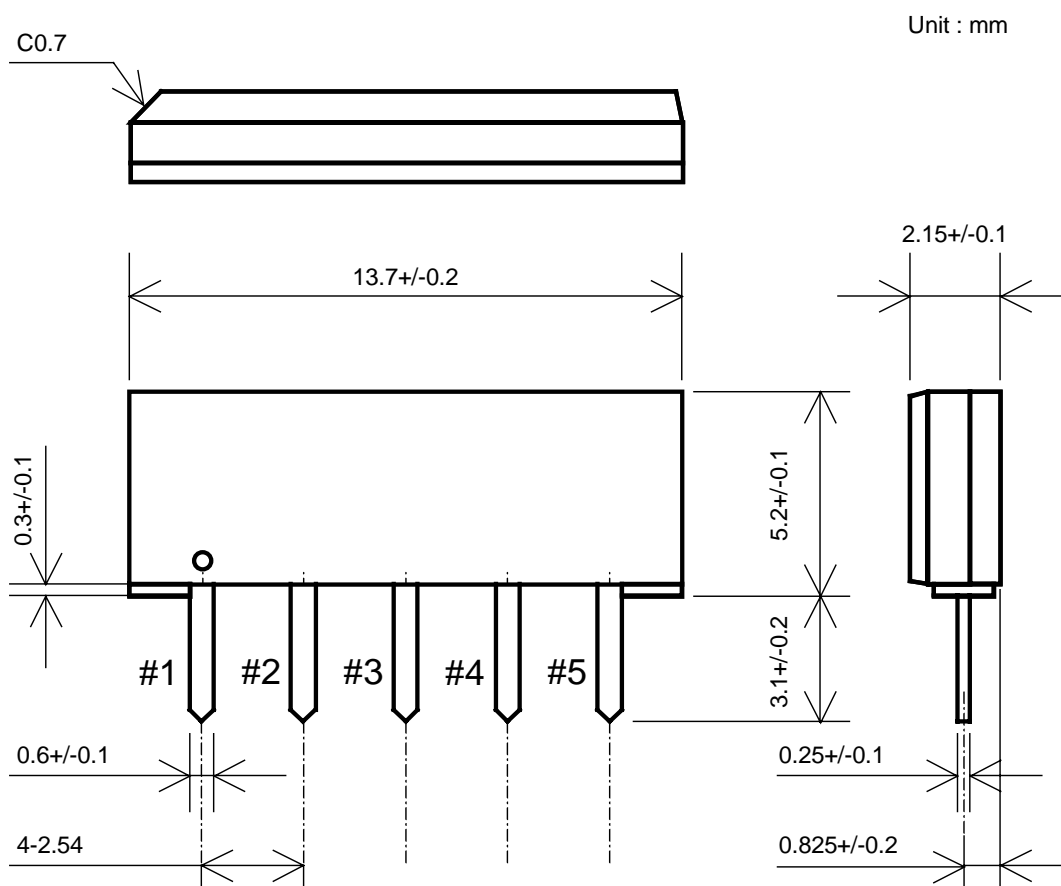
Customer Name	<b>Standard specification</b>	FUJITSU MEDIA DEVICES LIMITED	
Application	IF Filter for Digital Cable Digital Terrestrial TV		
Center Frequency	47.25 MHz	DATE	Jun. 27 2003
FMD Part Number	SBF0406RPL	Version 1.3	

**Table 1 Electrical Specification (Ta=25(45)°C)**

Items	Conditions	Specification			Unit	Remarks
		Min.	Typ.	Max.		
Center frequency		–	(47.25)	–	MHz	
Insertion Loss	47.31(47.25) MHz	13.6	15.1	16.6	dB	
Pass bandwidth	3 dB	–	6.2	–	MHz	
	30 dB	–	7.6	–	MHz	
Relative level	44.21(44.15) MHz	- 4.1	- 2.9	- 1.7	dB	
	44.78(44.72) MHz	- 1.0	0.0	1.0	dB	
	47.31(47.25) MHz	–	0	–	dB	Reference
	49.84(49.78) MHz	- 0.5	0.5	1.5	dB	
	50.41(50.35) MHz	- 4.1	- 2.9	- 1.7	dB	
	38.06 ~ 41.31 (38.00 ~ 41.25) MHz	–	-45	-38	dB	
	41.31 ~ 43.31 (41.25 ~ 43.25) MHz	–	-40	-30	dB	
	51.31 ~ 53.31 (51.25 ~ 53.25) MHz	–	-40	-30	dB	
Amplitude ripple (p-p)	44.78 ~ 49.84 (44.72 ~ 49.78) MHz	–	0.6	1.0	dB	
	Group delay ripple (p-p)	44.21 ~ 50.41 (44.15 ~ 50.35) MHz	–	43	70	ns
Input Capacitance	Cin (1.0 MHz)	–	15.1	–	pF	
Output Capacitance	Cout (1.0 MHz)	–	4.1	–	pF	
Temperature coefficient		–	-72	–	ppm/°C	

Customer Name	<b>Standard specification</b>	FUJITSU MEDIA DEVICES LIMITED	
Application	IF Filter for Digital Cable Digital Terrestrial TV		
Center Frequency	47.25 MHz	DATE	Jun. 27 2003
FMD Part Number	SBF0406RPL	Version 1.3	

● **Dimensions**



**Fig.1**

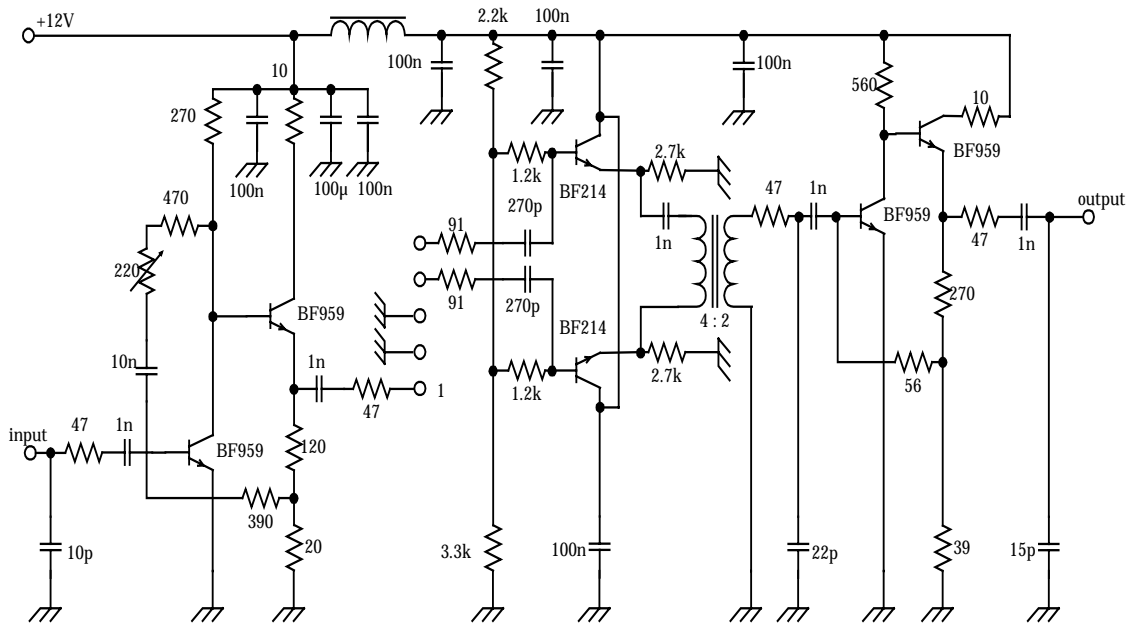
● **Pin Configuration**

**Table 2**

Pin No.	Symbol	Function
#1	IN	Input
#2	IN(GND)	Input(Ground)
#3	GND	Ground
#4	OUT	Output
#5	OUT	Output

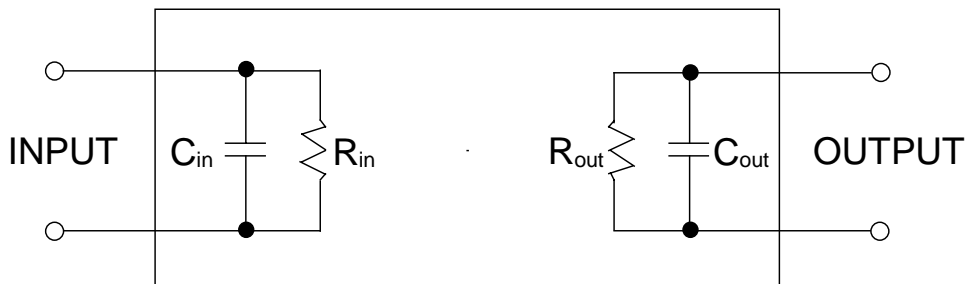
Customer Name	<b>Standard specification</b>	FUJITSU MEDIA DEVICES LIMITED	
Application	IF Filter for Digital Cable Digital Terrestrial TV		
Center Frequency	47.25 MHz	DATE	Jun. 27 2003
FMD Part Number	SBF0406RPL	Version 1.3	

● **Evaluation Circuit**



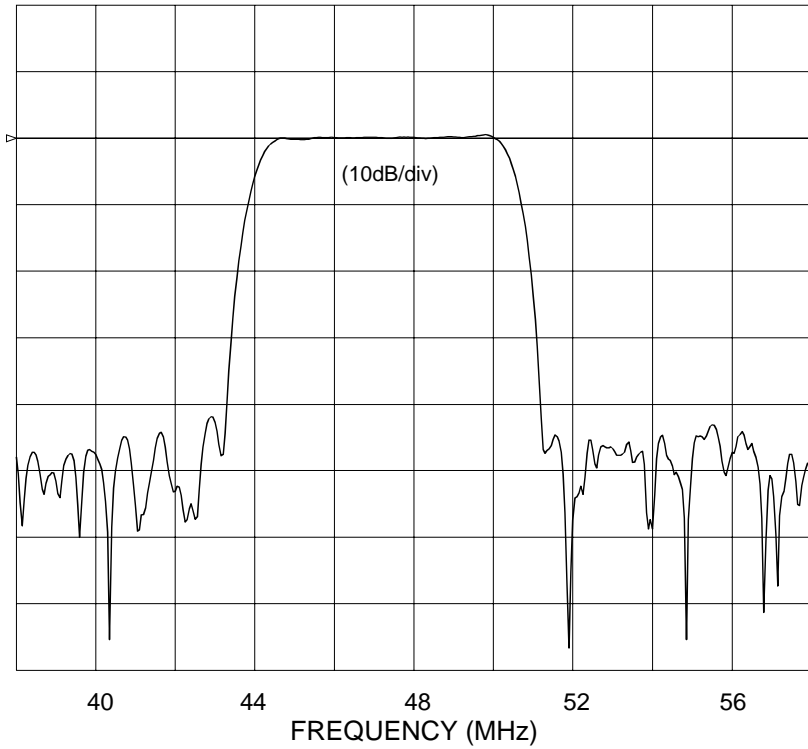
**Fig.2 Evaluation circuit**

● **Equivalent Circuit**

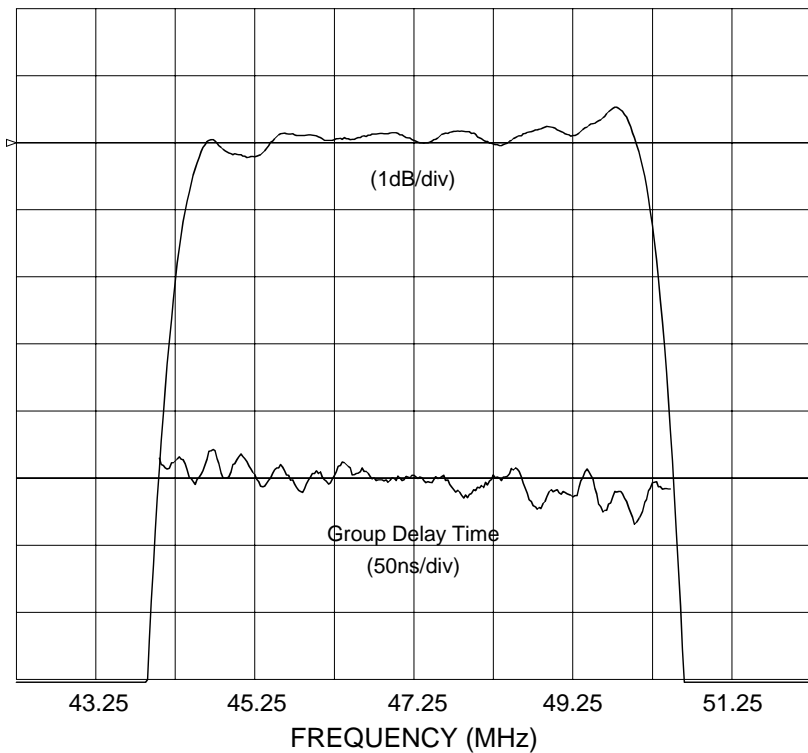


**Fig.3 Equivalent circuit**

Customer Name	<b>Standard specification</b>	FUJITSU MEDIA DEVICES LIMITED	
Application	IF Filter for Digital Cable Digital Terrestrial TV		
Center Frequency	47.25 MHz	DATE	Jun. 27 2003
FMD Part Number	SBF0406RPL	Version 1.3	



**Frequency Characteristics**



**In-band Characteristics**