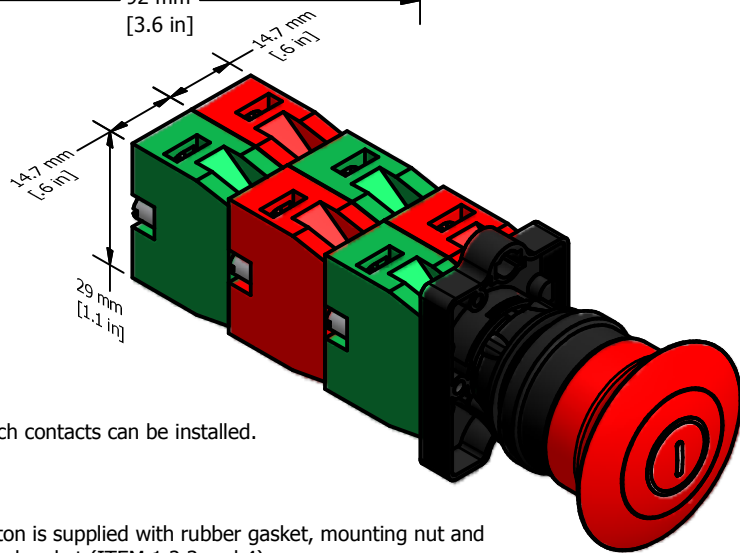
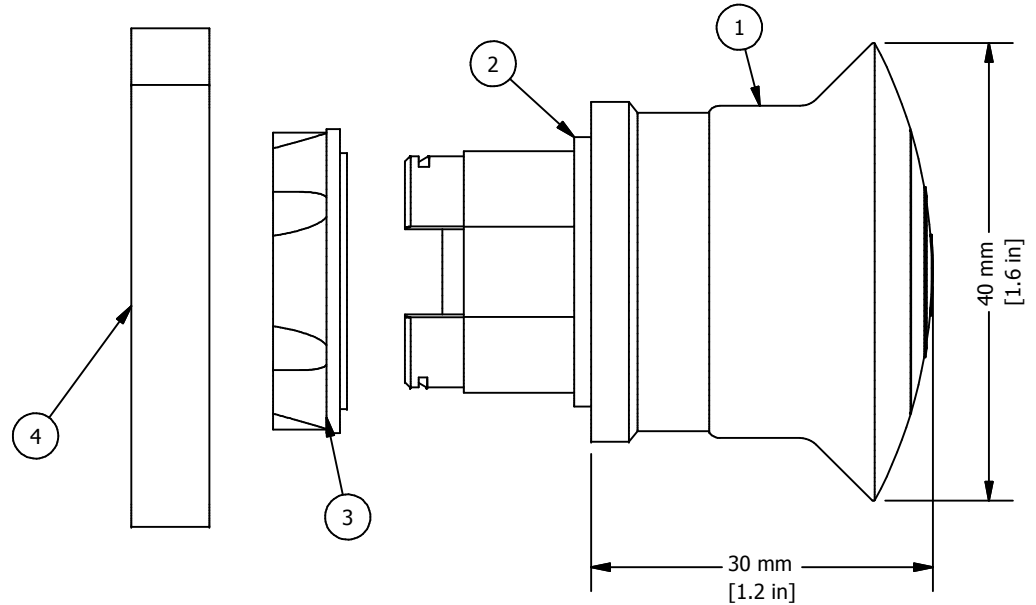
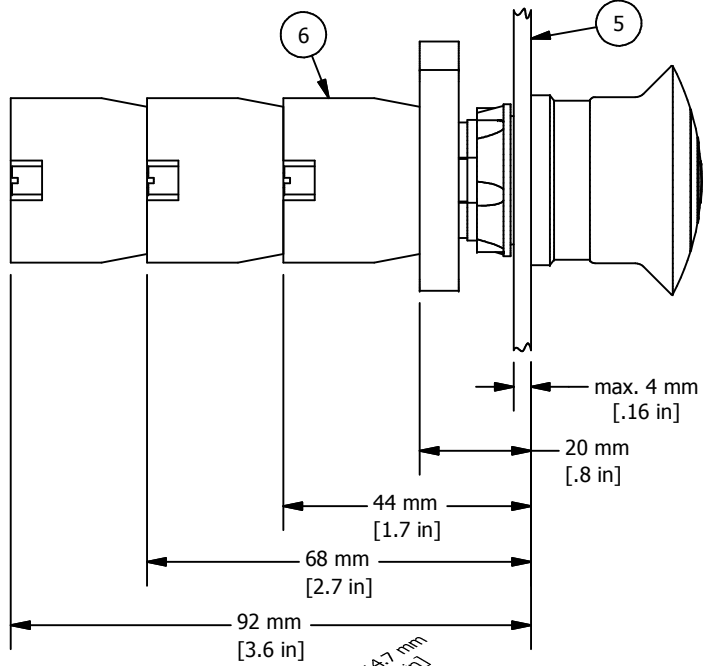


REVISION FOR DWG # 1PB-P2AMPP4

REV	CH.NO.	DESCRIPTION	DATE	REVISED BY
-	-	ORIGINAL DESIGN	11/5/2007	PHILIPP E.



Up to **six** switch contacts can be installed.

* = Push button is supplied with rubber gasket, mounting nut and mounting bracket (ITEM 1,2,3 and 4)

** = Switch Contacts must be ordered separately

ITEM	DESCRIPTION	CAT. NO.	COLOR	MIN. QTY.	MAX. QTY.
1*	Mushroom, 40 mm Push-Pull	P2AMPP4	Red	1	1
2*	Rubber Gasket	2PRG1	Black	1	1
3*	Mounting Nut	P2MN	Black	1	1
4*	Mounting Bracket	P2BRK	Black	1	1
5	Panel	-	-	-	-
6**	Switch Contacts	S1	Green	1	6
		S2	Red	1	6
		S3	Green/Gray	1	6
		S4	Red/Gray	1	6

UNLESS OTHERWISE SPECIFIED:
 • ALL DIMENSIONS ARE IN MILLIMETERS
 • THIRD ANGLE PROJECTION



This Drawing is the property of
Altech Corp.

35 Royal Road
 Flemington, NJ 08822-6000
 (908) 806-9400
 Fax (908) 806-9490

AND IS A CONFIDENTIAL DISCLOSURE
 WITHOUT CONSIDERATION OTHER THAN THE
 BORROWER'S AGREEMENT THAT IT
 SHALL NOT BE REPRODUCED,
 COPIED, LENT OR DISPOSED OF
 DIRECTLY OR INDIRECTLY NOR
 USED FOR ANY PURPOSE OTHER
 THAN THAT FOR WHICH IT IS
 SPECIFICALLY FURNISHED.

TITEL **22 mm Thermoplastic Enclosure Mushroom Push-Pull Operator P2AMPP4**

DRAWN BY: Philipp Ernstberger	11/5/2007	DRAWING NO.:	1PB-P2AMPP4	REV.:	-
CHECKED BY: Laszlo Gyorgypal	11/5/2007	SCALE:	-	SHEET:	1
RELEASED BY: Laszlo Gyorgypal	11/5/2007			OF:	1

TOLERANCE		
XX	=	±1 mm
XX.X	=	±0.5 mm
XX.XX	=	±0.2 mm
ALL	=	- mm

METRIC