

**MS3481 - Connector Wrench  
MIL-DTL-26482 Series I and II,  
MIL-DTL-83723 Series I, and NAS 1599**



**MS3481-20**

Basic Part No. \_\_\_\_\_ Dash No. \_\_\_\_\_

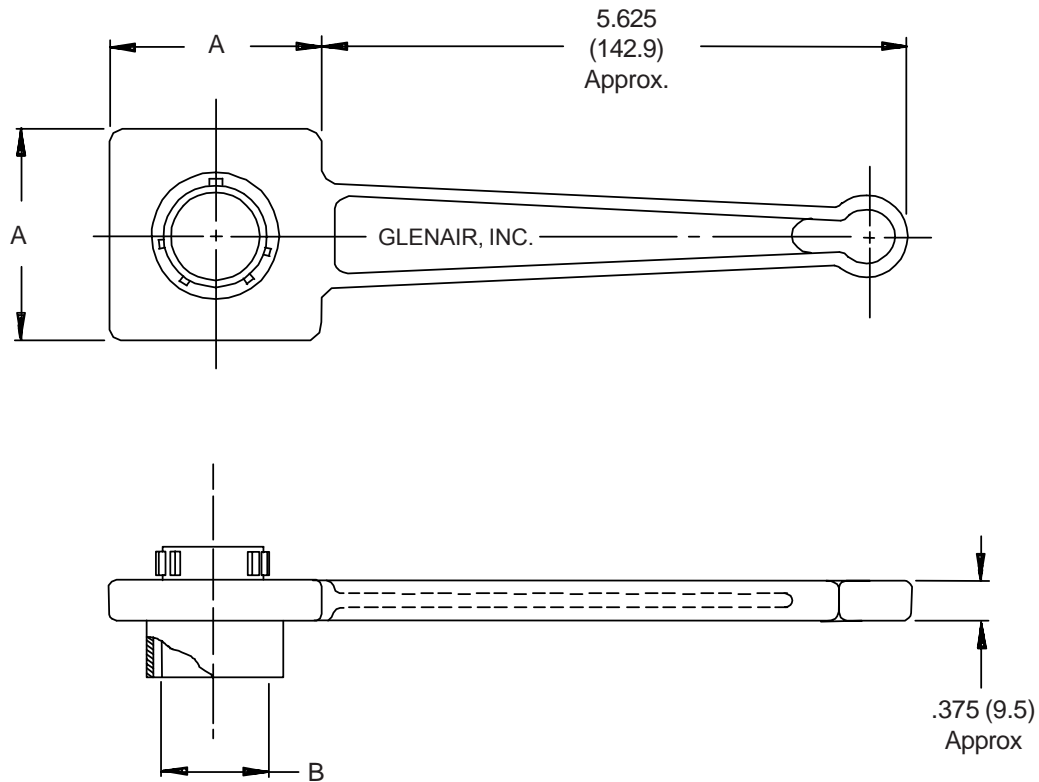


TABLE I				
Shell Size	A Dim.		B Dia.	
	± .060	(1.5)	Ref.	
8	1.250	(31.8)	.362	(9.2)
10	1.250	(31.8)	.490	(12.4)
12	1.250	(31.8)	.607	(15.4)
14	1.250	(31.8)	.732	(18.6)
16	2.000	(50.8)	.857	(21.8)
18	2.000	(50.8)	.962	(24.4)
20	2.000	(50.8)	1.087	(27.6)
22	2.000	(50.8)	1.212	(30.8)
24	2.000	(50.8)	1.337	(34.0)

1. For complete dimensions see applicable Military Specification.
2. Metric dimensions (mm) are indicated in parentheses.
3. Material: Aluminum alloy with electroless nickel finish.