

MAFL-009010-CT0B90



MoCA Triplex Filter
5 - 6000 MHz

M/A-COM Products

Features

- Surface Mount
- 75 Ohm
- RoHS Compliant

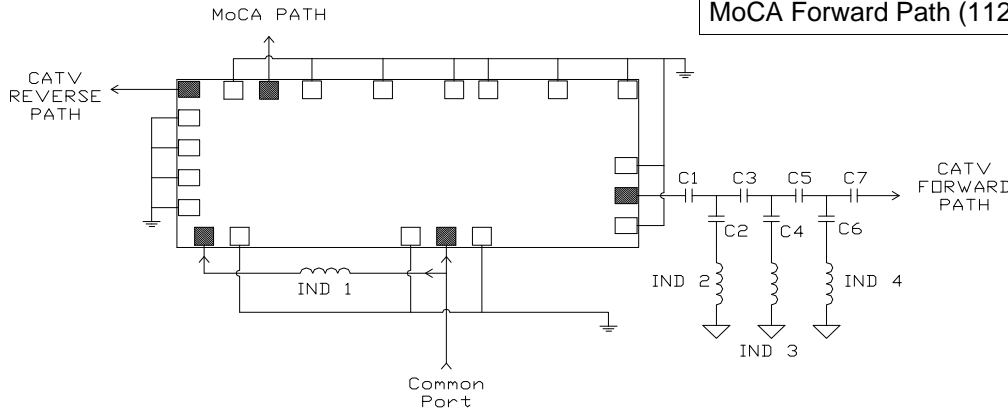
Description

M/A-COM's MAFL-009010-CT0B90 is a surface mount triplex filter unit designed for MoCA applications. This Triplex filter requires some additional "off chip" components as shown below:

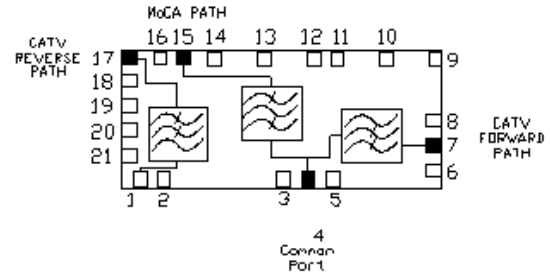
Ordering Information

Device	Description
MAFL-009010-CT0B90	300 per Tape
MAFL-009010-CT00TB	Test Board

Schematic including off Filter components



Functional Schematic



Pin Configuration

Function	Pin
RF IN (Common Port)	4
CATV Reverse Path (5 - 42 MHz)	17
CATV Forward Path (54 - 1002 MHz)	7
MoCA Forward Path (1125 - 1525 MHz)	15

Off Filter Component Values

Ref	Description	Possible P/N	Possible Vendor
IND 1	Ind, SM-138 (426 nH)	MAPC-009061-CI08A0	M/A-COM
IND 2	Ind, SM-138 (175 nH)	MAPC-009062-CI08A0	M/A-COM
IND 3	Ind, SM-138 (120 nH)	MAPC-009063-CI08A0	M/A-COM
IND 4	Ind, SM-138 (217 nH)	MAPC-009064-CI08A0	M/A-COM
C1	Cap, 0402, 33pF, +/-2%, 50V COG	GRM1555C1H330GZ01D	Murata
C2	Cap, 0402, 150pF, +/-2%, 50V COG	GRM1555C1H151GA01D	Murata
C3	Cap, 0402, 30pF, +/-2%, 50V COG	GRM1555C1H300GZ01D	Murata
C4	Cap, 0402, 470pF, +/-2%, 50V COG	GRM1555C1H471GA01D	Murata
C5	Cap, 0402, 33pF, +/-2%, 50V COG	GRM1555C1H330GZ01D	Murata
C6	Cap, 0402, 68pF, +/-2%, 50V COG	GRM1555C1H680GZ01D	Murata
C7	Cap, 0402, 120pF, +/-2%, 50V COG	GRM1555C1H1211GA01D	Murata

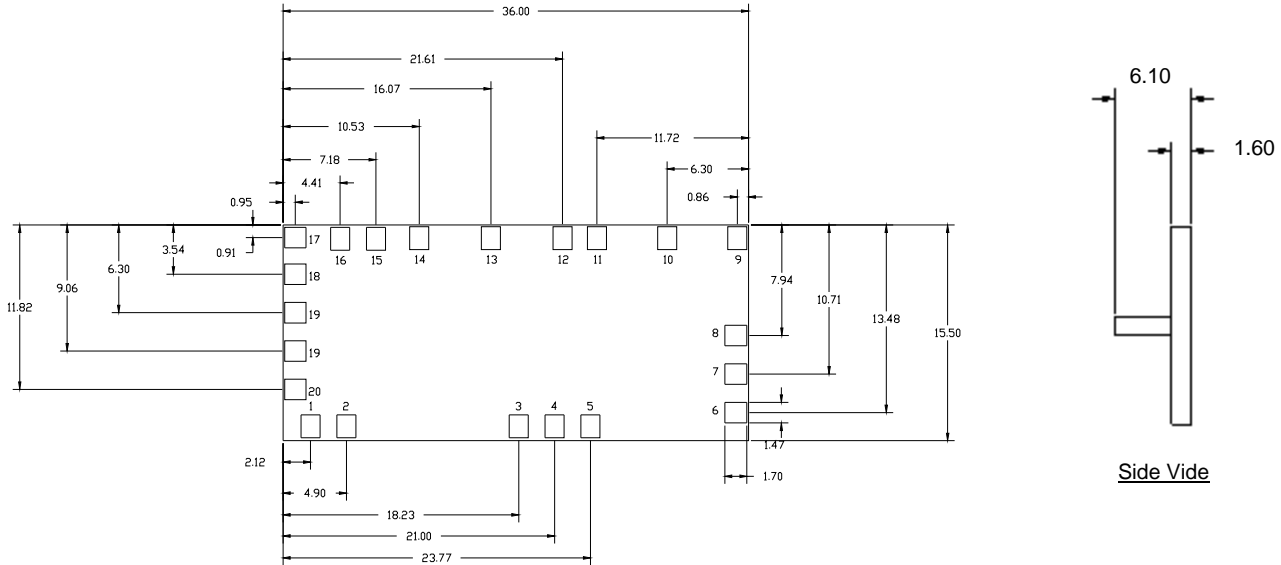
ADVANCED: Data Sheets contain information regarding a product M/A-COM Technology Solutions is considering for development. Performance is based on target specifications, simulated results, and/or prototype measurements. Commitment to develop is not guaranteed.

PRELIMINARY: Data Sheets contain information regarding a product M/A-COM Technology Solutions has under development. Performance is based on engineering tests. Specifications are typical. Mechanical outline has been fixed. Engineering samples and/or test data may be available. Commitment to produce in volume is not guaranteed.

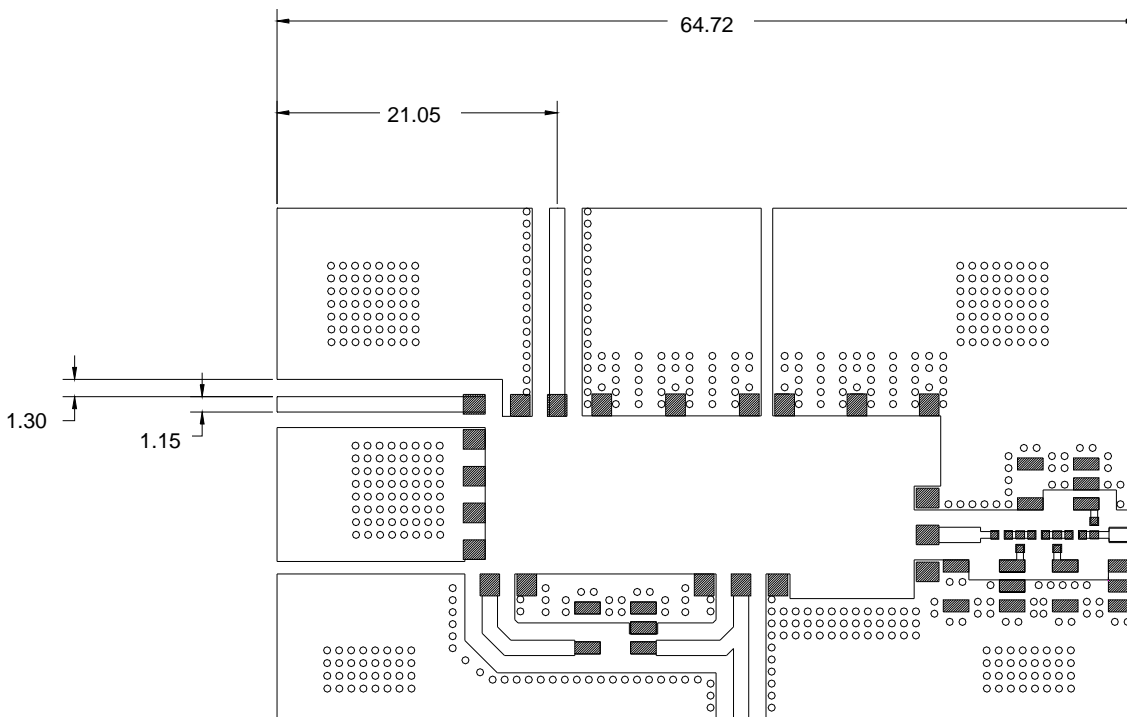
• **North America** Tel: 800.366.2266 • **Europe** Tel: +353.21.244.6400
 • **India** Tel: +91.80.4155721 • **China** Tel: +86.21.2407.1588
 Visit www.macomtech.com for additional data sheets and product information.

M/A-COM Technology Solutions Inc. and its affiliates reserve the right to make changes to the product(s) or information contained herein without notice.

PCB Dimensions



Recommended PCB Configuration



Dimensions in mm. Tolerance: $.x \pm 0.1$, $.xx \pm 0.05$

2

ADVANCED: Data Sheets contain information regarding a product M/A-COM Technology Solutions is considering for development. Performance is based on target specifications, simulated results, and/or prototype measurements. Commitment to develop is not guaranteed.
PRELIMINARY: Data Sheets contain information regarding a product M/A-COM Technology Solutions has under development. Performance is based on engineering tests. Specifications are typical. Mechanical outline has been fixed. Engineering samples and/or test data may be available. Commitment to produce in volume is not guaranteed.

• **North America** Tel: 800.366.2266 • **Europe** Tel: +353.21.244.6400
 • **India** Tel: +91.80.4155721 • **China** Tel: +86.21.2407.1588
 Visit www.macomtech.com for additional data sheets and product information.

M/A-COM Technology Solutions Inc. and its affiliates reserve the right to make changes to the product(s) or information contained herein without notice.

Electrical Specifications: $T_A = 25^\circ\text{C}$, $Z_0 = 75\Omega$

Frequency Range 5 - 3000 MHz	Test Conditions	Nominal	Units	Min.	Typ.	Max.
<u>CATV Reverse Path:</u> Insertion Loss	5 - 42 MHz	—	dB	—	-1.0	-1.8
	Rejection					
	54 - 200 MHz	—	dB	-53	-56	—
	200 - 864 MHz	—	dB	-48	-51	—
	864 - 1002 MHz	—	dB	-40	-45	—
<u>CATV Forward Path:</u> Insertion Loss	54 - 864 MHz	—	dB	—	-2.0	-2.5
	864 - 1002 MHz	—	dB	—	-3.2	-4.0
	Rejection					
	1125 - 1525 MHz	—	dB	-28	-35	—
	1526 - 2000 MHz	—	dB	-25	-30	—
<u>CATV Reject Filter:</u> Rejection	5 - 35 MHz	—	dB	-50	-60	—
	35 - 42 MHz	—	dB	-45	-50	—
<u>MoCA Path:</u> Rejection	54 - 500 MHz	—	dB	-45	—	—
	500 - 864 MHz	—	dB	-35	—	—
	864 - 960 MHz	—	dB	-27	—	—
	960 - 1002 MHz	—	dB	-18	—	—
	Insertion Loss					
	1125 - 1400 MHz	—	dB	—	-2.7	-3.0
	1400 - 1525 MHz	—	dB	—	-6.0	-7.0
	Rejection					
	2300 MHz	—	dB	-27.5	-37	—
	3000 MHz	—	dB	-27.5	-33	—
4600 MHz	—	dB	-12	-16	—	
6000 MHz	—	dB	-10	-14	—	
Input Return Loss	5 - 42 MHz	—	dB	-12.0	-14.0	—
	54 - 950 MHz	—	dB	-9.0	-11.0	—
	950 - 1002 MHz	—	dB	-8.0	-9.0	—
	1125 - 1525 MHz	—	dB	-6.5	-8.0	—

Recommended Ratings

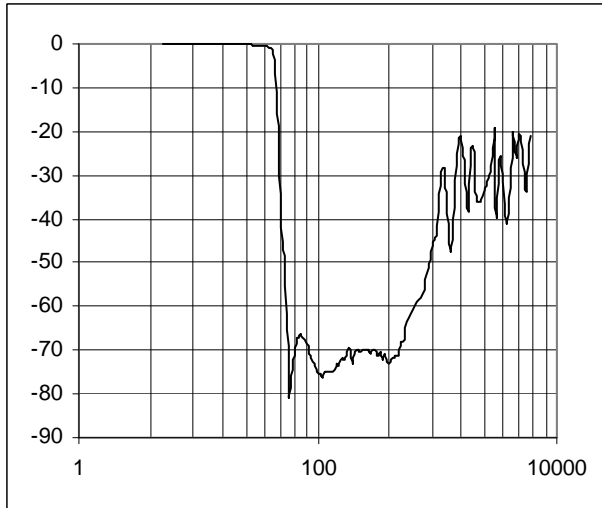
Parameter	Value
RF Power	250mW
DC Current	30mA
Operating Temperature	-40°C to +85°C
Storage Temperature	-40°C to +85°C

MoCA Triplex Filter 5 - 6000 MHz

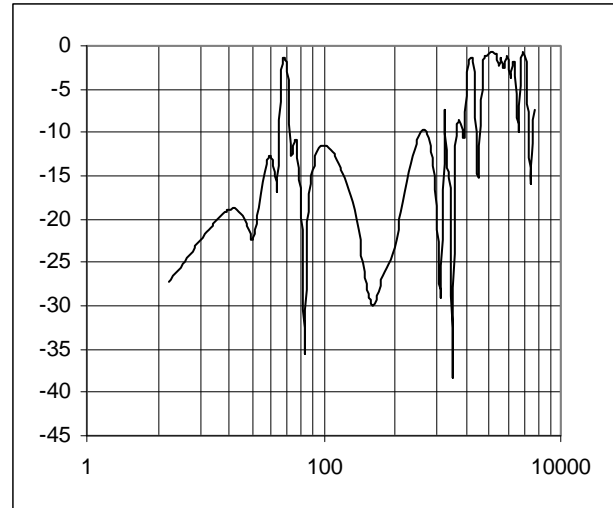
M/A-COM Products

Typical Performance: $T_A = 25^\circ\text{C}$, $Z_0 = 75\Omega$

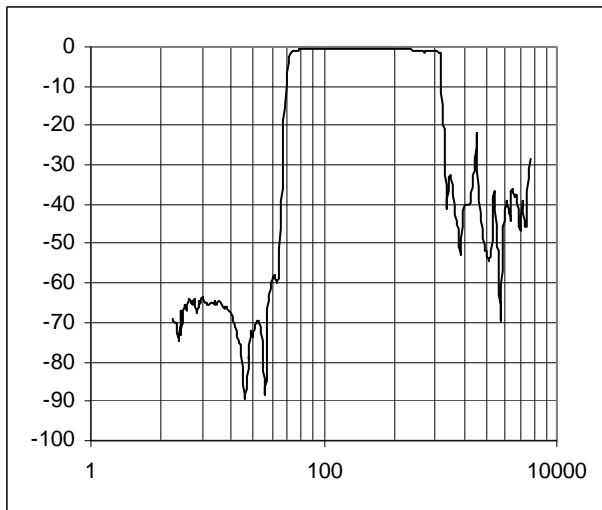
CATV Reverse Path



Input Return Loss



CATV Forward Path



MoCA Path

