



**Pb-free
HEAT**



KW1448A

5.0 x 5.0 mm (t=0.55 mm) Type White LED

Features

Package	5.0 x 5.0 mm (h=0.55 mm) Type, Pale Yellow resin
Product features	<ul style="list-style-type: none"> • Outer Dimension 5.0 x 5.0 x 0.55mm (L x W x H) • Temperature range Storage Temperature : -40°C~120°C Operating Temperature : -30°C~85°C • Lead-free soldering compatible • RoHS compliant
Chromaticity coordinates	x = 0.33TYP., y = 0.37TYP. (Condition : I _F =40mA ,1chip)
Spatial distribution	120 deg.
Die materials	InGaN
Optical efficiency	68 lm/W
Rank grouping parameter	Sorted by luminous intensity and chromaticity per rank taping
Assembly method	Auto pick & place machine (Auto Mounter)
Soldering methods	Reflow soldering and manual soldering
Taping and reel	2,000pcs per reel in a 12mm width tape. (Standard) Reel diameter: φ 180mm
ESD	1kV (HBM)

Recommended Applications

Cellular Phone, Mobile Equipment, Electric Household Appliances, Other General Applications

Color and Luminous Intensity

(Ta=25°C)

Part No.	Material	Emitted Color	Lens Color	Luminous Intensity			Luminous Flux	
				I _v (mcd)			φ _v (lm)	
				MIN.	TYP.	I _f	TYP.	I _f
KW1448A	InGaN	White	Pale Yellow	8,200	11,000	40/chip	38	40/chip

※Note : The above luminous intensity(I_v) is the setup values of the sorting machine.
 (Tolerance : I_v...±10%)

Absolute Maximum Ratings

(Ta=25°C)

Item	Symbol	Absolute Maximum Ratings	Unit
Power Dissipation	P _d	860(4chips)	mW
		215(1chip)	
Forward Current	I _F	50(1chip)	mA
Pulse Forward Current ※1	I _{FRM}	100(1chip)	mA
Derating ※2 (Ta=35°C or higher)	Δ I _F	0.67	mA/°C
	Δ I _{FRM}	1.33	mA/°C
Reverse Voltage	V _R	5(1chip)	V
Operating Temperature	T _{opr}	-30~+85	°C
Storage Temperature	T _{stg}	-40~+120	°C

 ※1 I_{FRM} Measurement condition : Pulse Width ≤ 100ms, Duty ≤ 1/20

※2 Four dies are lit simultaneously.

Electro-Optical Characteristics

(Ta=25°C)

Item	Condition	Symbol	Characteristics		Unit
Forward Voltage	I _F =40mA/1chip	V _F	TYP.	3.5	V
			MAX.	4.2	
Reverse Current	V _R =5V/1chip	I _R	MAX.	50	μ A
Half Intensity Angle	I _F =40mA/1chip	2 θ 1/2	TYP.	120	deg.
Chromaticity Coordinates	I _F =40mA/1chip	x	TYP.	0.33	-
		y	TYP.	0.37	-

Luminous Intensity Rank

(Ta=25°C)

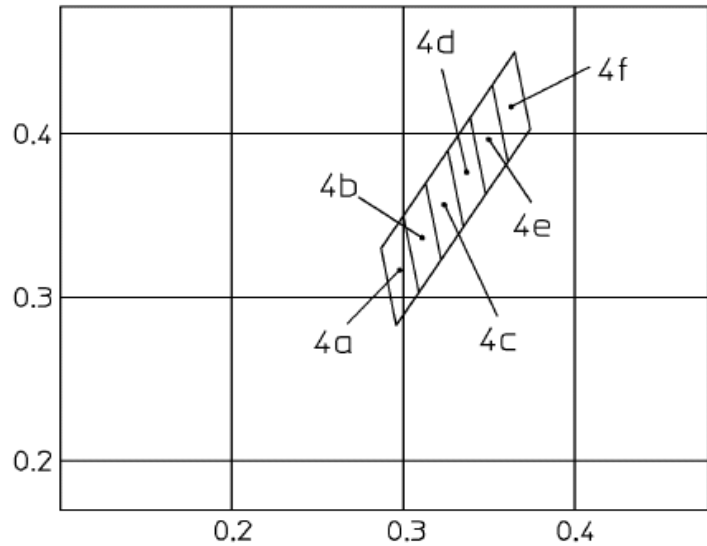
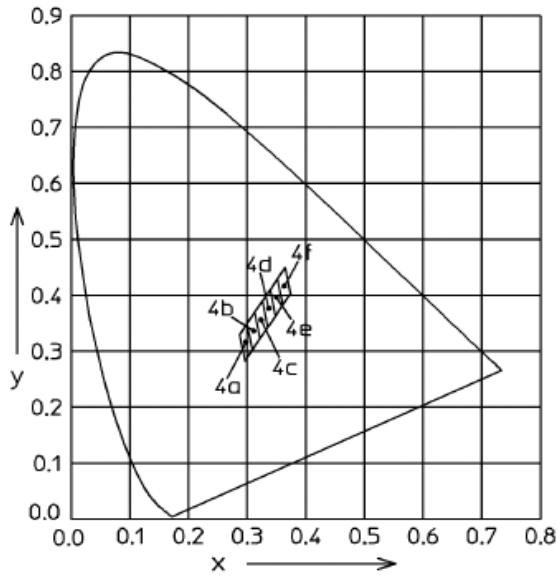
Intensity Tolerance each Rank : +/-10%

Rank	I _v (mcd)		Condition
	MIN.	MAX.	
DZ	8,200	10,000	I _F =40mA/1chip
E1	10,000	12,000	
E2	12,000	15,000	

Please contact our sales staff concerning rank designation.

Sorting Chart for Chromaticity Coordinates

(Ta=25°C)

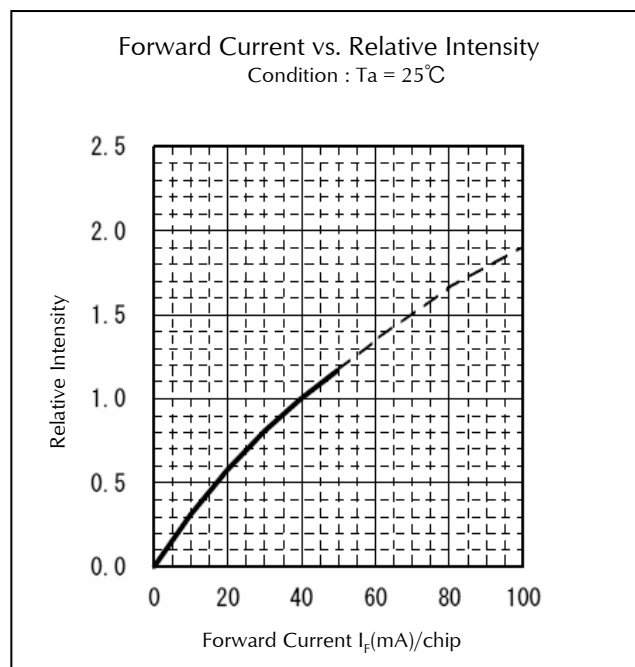
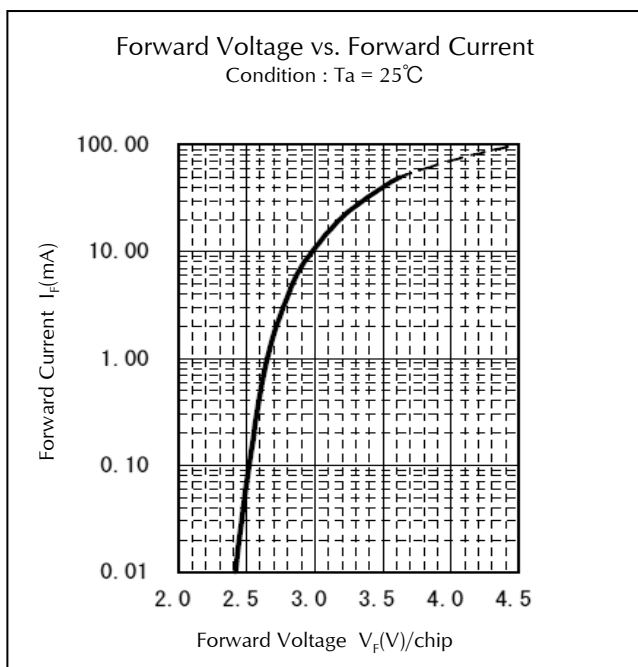
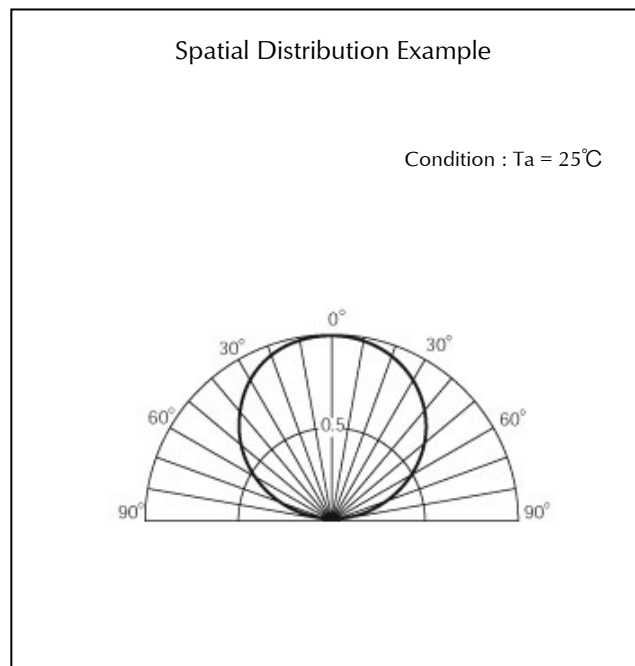
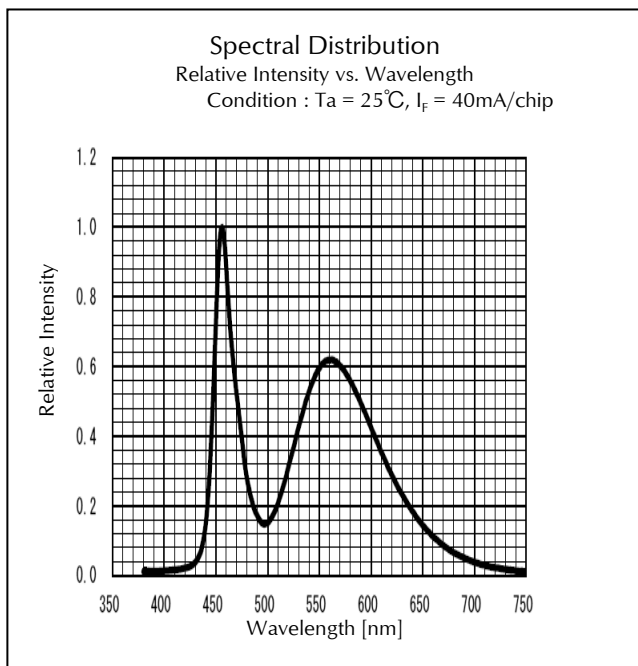


Chromaticity Coordinates Tolerance Each Rank : +/-0.02

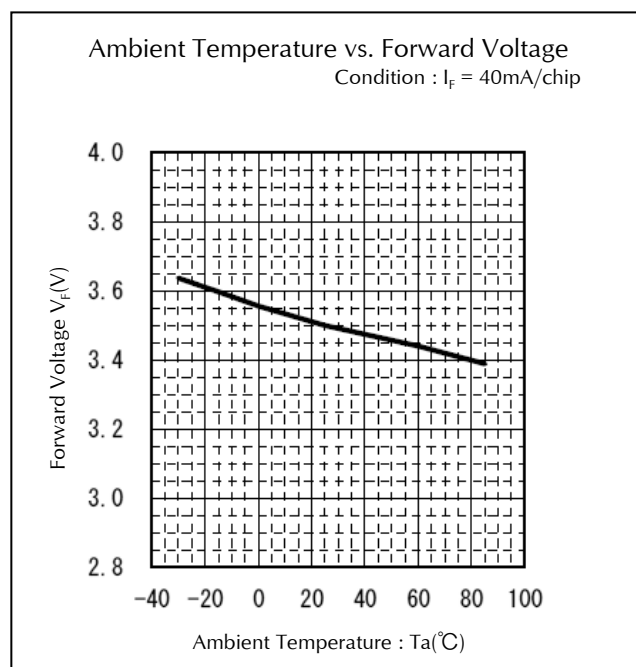
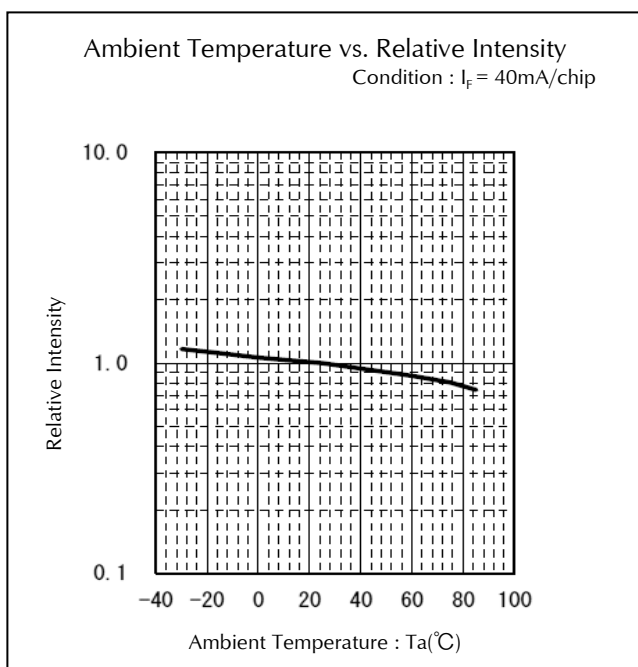
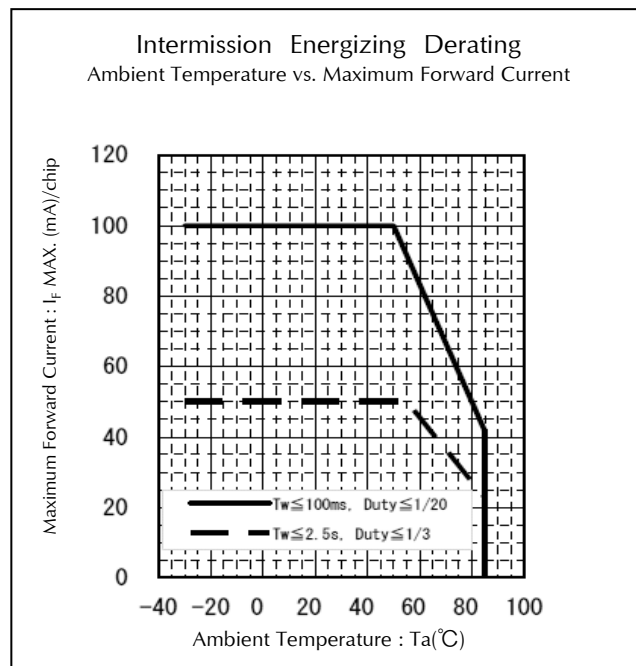
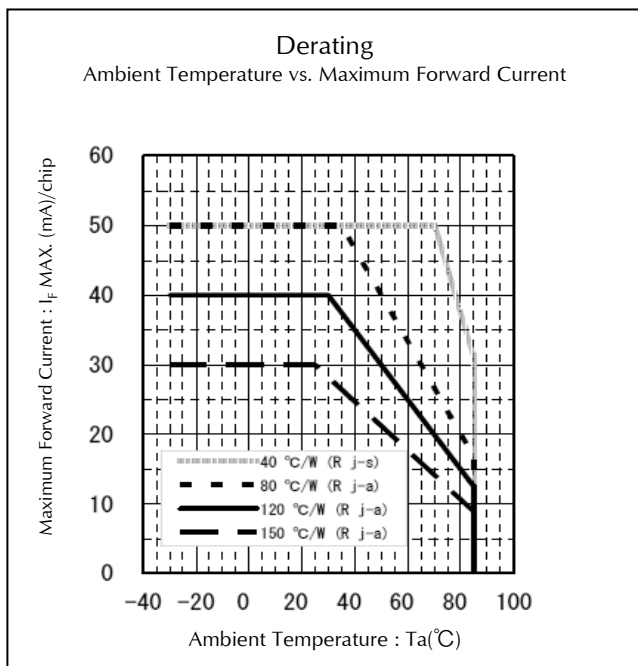
Rank	LEFT DOWN point		LEFT UP point		RIGHT UP point		RIGHT UP point	
	x	y	x	y	x	y	x	y
4a	0.296	0.283	0.287	0.330	0.300	0.350	0.309	0.303
4b	0.309	0.303	0.300	0.350	0.313	0.370	0.322	0.323
4c	0.322	0.323	0.313	0.370	0.326	0.390	0.335	0.343
4d	0.335	0.343	0.326	0.390	0.339	0.410	0.348	0.363
4e	0.348	0.363	0.339	0.410	0.352	0.430	0.361	0.383
4f	0.361	0.383	0.352	0.430	0.365	0.450	0.374	0.403

Please contact our sales staff concerning rank designation.

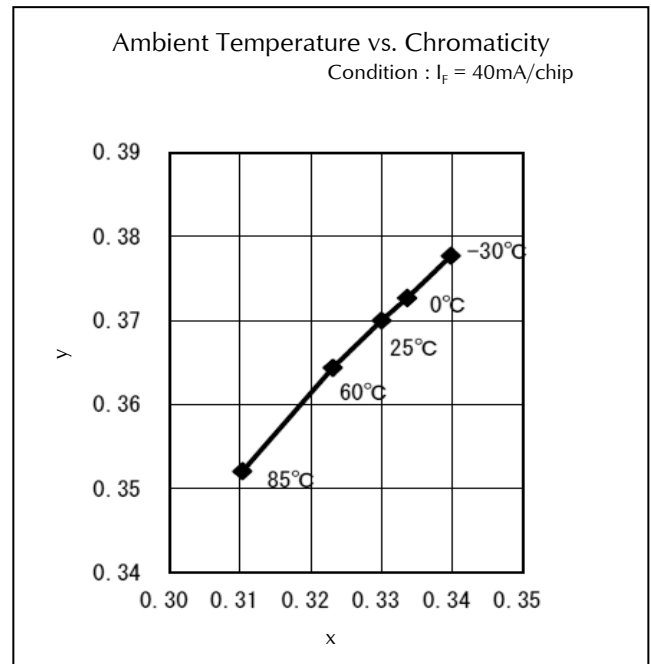
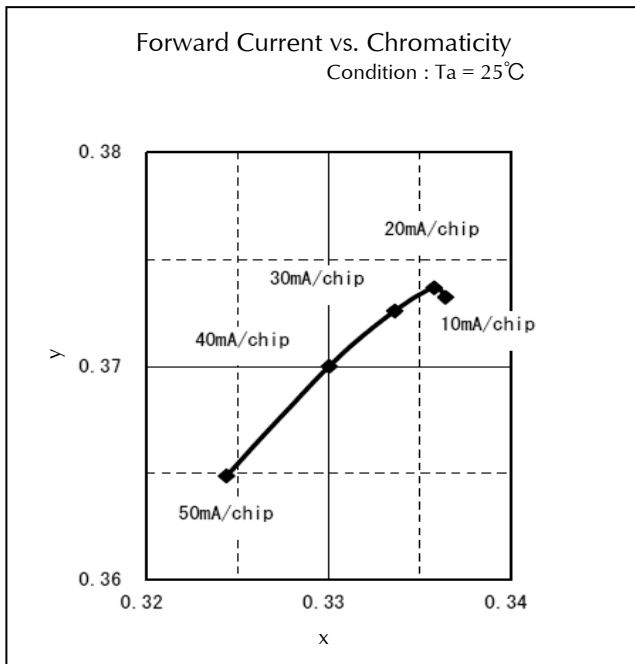
Technical Data



Technical Data



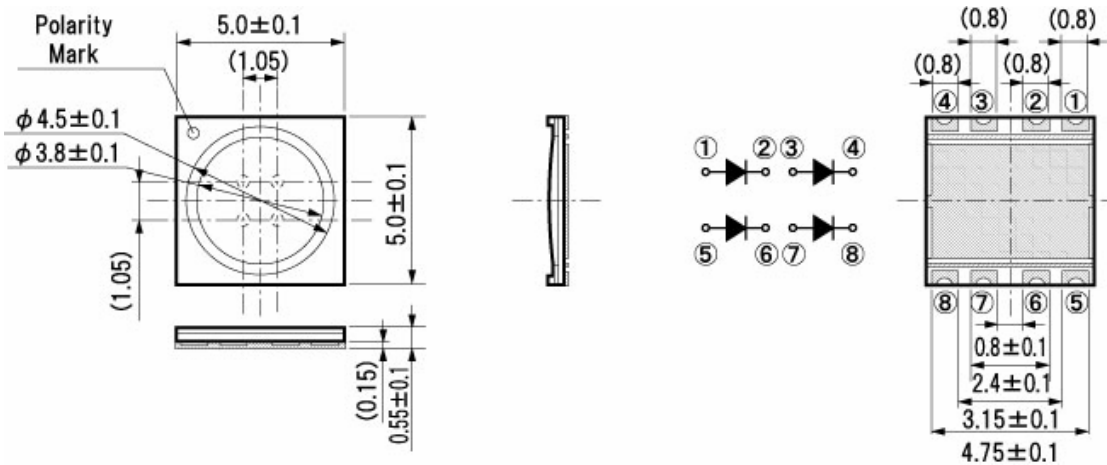
Technical Data



Package Dimensions

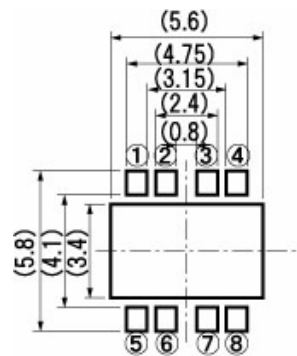
(Unit: mm)

Weight: (33)mg



Recommended Soldering Pattern

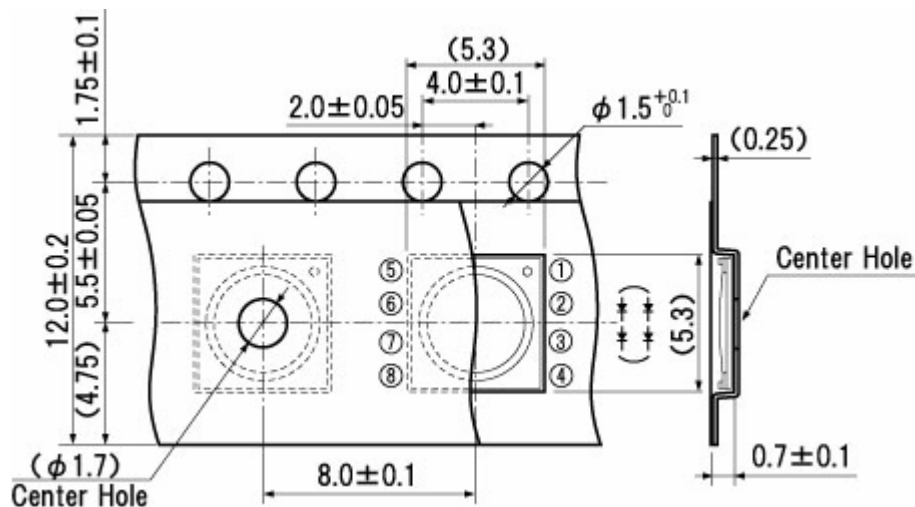
(Unit: mm)



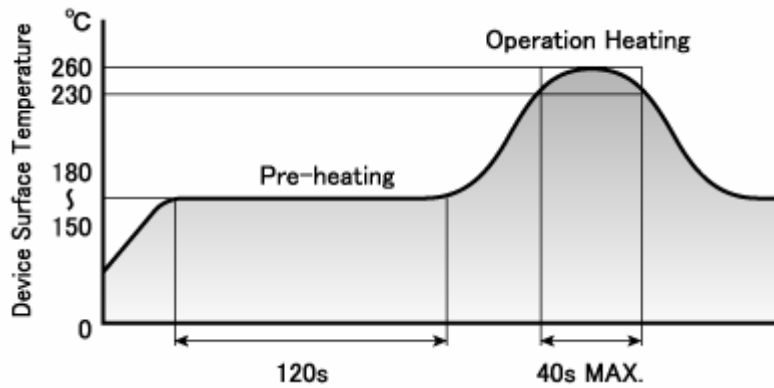
Taping Specification

(Unit: mm)

•Quantity: 2,000pcs/ reel (standard)



Reflow Soldering Conditions



- 1) The above profile temperature gives the maximum temperature of the LED resin surface. Please set the temperature so as to avoid exceeding this range.
- 2) Total times of reflow soldering process shall be no more than 2 times. When the second reflow soldering process is performed, intervals between the first and second reflow should be short as possible (while allowing some time for the component to return to normal temperature after the first reflow) in order to prevent the LED from absorbing moisture.

Manual Soldering Conditions

Iron tip temp.	350 °C	(MAX.)
Soldering time and frequency	3 s	(MAX.)
	1 time	(MAX.)

Reliability Testing Result

Reliability Testing Result	Applicable Standard	Testing Conditions	Duration	Failure
Room Temp. Operating Life	EIAJ ED-4701/100(101)	Ta = 25°C, If = 50mA/1 chip	1000 h	0/20
High Temp. Operating Life	EIAJ ED-4701/100(101)	Ta = 85°C, If = 20mA/1 chip	1000 h	0/20
Low Temp. Operating Life	EIAJ ED-4701/100(101)	Ta = -30°C, If = 50mA/1 chip	1000 h	0/20
Wet High Temp. Operating Life	EIAJ ED-4701/100(102)	Ta = 60°C, 90%, If = 35mA/1 chip	1000 h	0/20
Dynamic Operating Life	EIAJ ED-4701/100(101)	Ta = 60°C, I _{FRM} = 100mA/1 chip, Pulse Width = 0.1s, Duty = 1/20	20,000 cycles	0/20
Wet High Temp. Storage Life	EIAJ ED-4701/100(103)	Ta = 60°C, 90%	1,000 h	0/20
Thermal Shock	EIAJ ED-4701/100(105)	Ta = -40°C ~ 100°C (each 15min.)	200 cycles	0/20
High Temp. Storage Life	EIAJ ED-4701/200(201)	Ta = 120°C	1,000 h	0/20
Low Temp. Storage Life	EIAJ ED-4701/200(202)	Ta = -40°C	1,000 h	0/20
Cycled Temp. Humidity Life	EIAJ ED-4701/200(203)	Ta = -10°C ~ 65°C, 95%, 24h/cycle	10 cycles	0/20
Resistance to Reflow Soldering	EIAJ ED-4701/300(301)	Preheat : 150 ~ 180°C(120s Max.) Soldering Temp. : 260°C(5s) Moisture Soak : 30°C, 70%, 72h	Twice	0/20
Electric Static Discharge (ESD)	EIAJ ED-4701/300(304)	C = 100pF, R2 = 1.5KΩ, ±1,000V	once each polarity	0/20
Vibration, Variable Frequency	EIAJ ED-4701/400(403)	98.1m/s ² (10G), 100 ~ 2KHz, 20min, XYZ each direction	2 h	0/20

Failure Criteria

Items	Symbols	Conditions	Failure criteria
Luminous Intensity	I _v	If=40mA/1 chip	Testing Min. Value < Spec. Min. Value x 0.5
Forward Voltage	V _F	If=40mA/1 chip	Testing Max. Value ≥ Spec. Max. Value x 1.2
Reverse Current	I _R	V _R =5V/1 chip	Testing Max. Value ≥ Spec. Max. Value x 2.5
Cosmetic Appearance	-	-	Occurrence of notable decoloration, deformation and cracking

Special Notice to Customers Using the Products and Technical Information Shown in This Data Sheet

- 1) The technical information shown in the data sheets are limited to the typical characteristics and circuit examples of the referenced products. It does not constitute the warranting of industrial property nor the granting of any license.
- 2) For the purpose of product improvement, the specifications, characteristics and technical data described in the data sheets are subject to change without prior notice. Therefore it is recommended that the most updated specifications be used in your design.
- 3) When using the products described in the data sheets, please adhere to the maximum ratings for operating voltage, heat dissipation characteristics, and other precautions for use. We are not responsible for any damage which may occur if these specifications are exceeded.
- 4) The products that have been described to this catalog are manufactured so that they will be used for the electrical instrument of the benchmark (OA equipment, telecommunications equipment, AV machine, home appliance and measuring instrument).
The application of aircrafts, space borne application, transportation equipment, medical equipment and nuclear power control equipment, etc. needs a high reliability and safety, and the breakdown and the wrong operation might influence the life or the human body. Please consult us beforehand if you plan to use our product for the usages of aircrafts, space borne application, transportation equipment, medical equipment and nuclear power control equipment, etc. except OA equipment, telecommunications equipment, AV machine, home appliance and measuring instrument.
- 5) In order to export the products or technologies described in this data sheet which are under the "Foreign Exchange and Foreign Trade Control Law," it is necessary to first obtain an export permit from the Japanese government.
- 6) No part of this data sheet may be reprinted or reproduced without prior written permission from Stanley Electric Co., Ltd.
- 7) The most updated edition of this data sheet can be obtained from the address below:
<http://www.stanley-components.com>