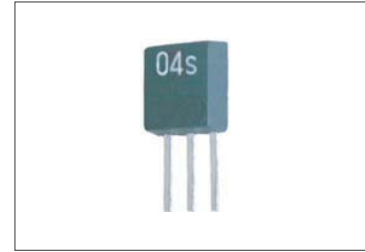


Wide Band RF Eliminate Filter **KHLC-04s**



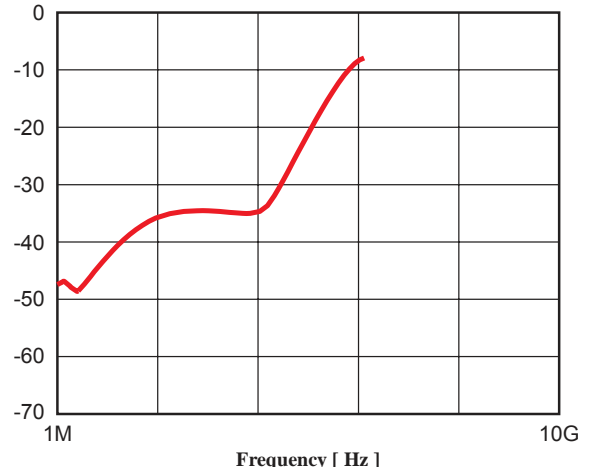
Feature

- Single in Line Package
- Broad Bandwidth: 100 kHz to 5.0 GHz (-20 dB)
- Comply with Large Current (1.5 A)

Nowadays, the digital clock signal which is used as high frequency applications makes the harmonic wave delivered to the DC power supplies extend the frequency range in GHz with one digit to two digits. Under this circumstance in performing a digital signal in high speed transmission, only the conventional method like using a bypass capacitor can not remove high harmonic wave which is transmitted to the power supplies. This power filter **KHLC-04s** deletes harmonic wave signal which is not necessary to be transmitted to the very broad bandwidth of 100 kHz to 5 GHz (-20 dB).

The package is designed in single in line package where IC and other chips can be mounted near the power supply terminals (pins), and this makes it possible for ideal mounting position electrically.

Isolation vs Frequency



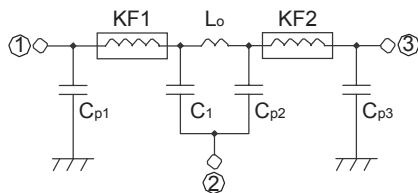
Absolute Maximum Rating

Parameter	Value (max.)	Unit
Rated Current	1,500	mA
Rated Voltage	10	V
Soldering Temperature	+240 (8 sec)	C
Operating Temperature	-40 ~ +85	C
Storage Temperature	-65 ~ +150	C

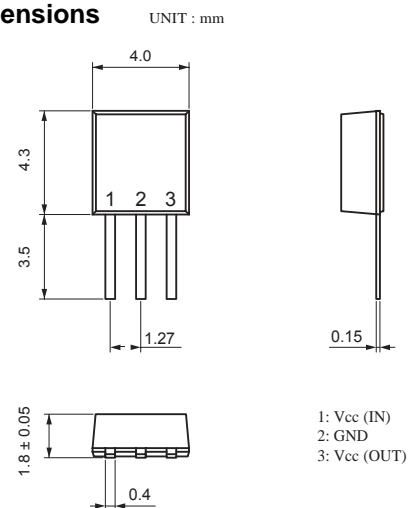
Electrical Specifications

Parameter	Value	Condition
Band Width	100 kHz ~ 5.0 GHz (Typ.)	-20 dB
	280 kHz ~ 3.8 GHz (Typ.)	-30 dB
	350 kHz ~ 1.2 GHz (Typ.)	-40 dB
DC Resistance	0.13 Ω max.	-

Schematics



Dimensions



Specifications of products are subject to change without notice.