

## EPI BH38 Series



- Low loss material ensures operation in high frequency switching converters, such as Buck, Boost or as output averaging filter inductor
- Also suitable for use in high quality filter applications
- 250 KHz & 500 KHz Switching Frequency

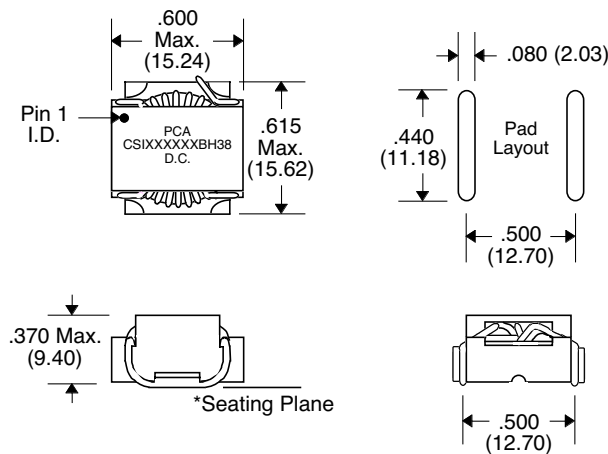
### Primary Specification

Part Number	Induct. ( $\mu\text{H} \pm 15\%$ ) @ 0 Adc	DCR ( $\Omega$ Typ.)	Induct. ( $\mu\text{H} 20\%$ ) @ Idc	Idc (A)	Core Loss		Vt1 (V- $\mu\text{Sec}$ ) 250 KHz	Vt2 (V- $\mu\text{Sec}$ ) 500 KHz	Temp.Rise	
					@ Vt1 (mW)	@ Vt2 (mW)			@ Vt1 $^{\circ}\text{C}$ (Typ.)	@ Vt2 $^{\circ}\text{C}$ (Typ.)
EPI0L7143BH38	0.9	.0016	0.72	14	47	47	1.8	1.2	39	39
EPI0L9133BH38	1.3	.0024	0.99	13.3	22.4	22.4	1.6	1.04	47	47
EPI1L3123BH38	1.76	.0028	1.31	12	47	47	2.6	1.7	47	47

### Schematic



### Package BH38



\*Coil must clear Seating Plane by .010/0.25  
Coplanarity : .005/.013

Unless Otherwise Specified Dimensions are in Inches /mm  $\pm .010 / .25$