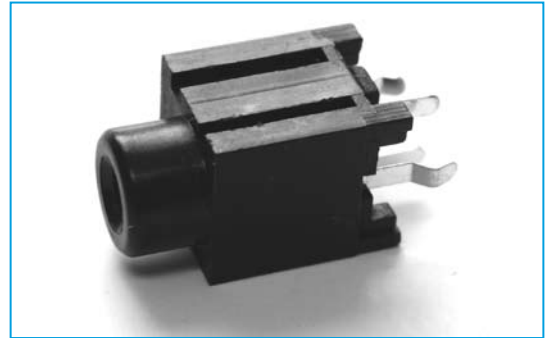


AUDIO

SECTION 6

- Competitively priced
- Industry Compatible
- PCB Mounting or Wire Soldering

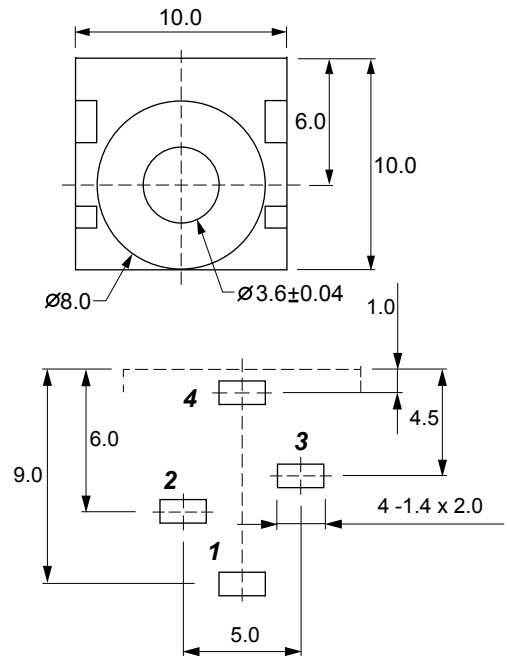
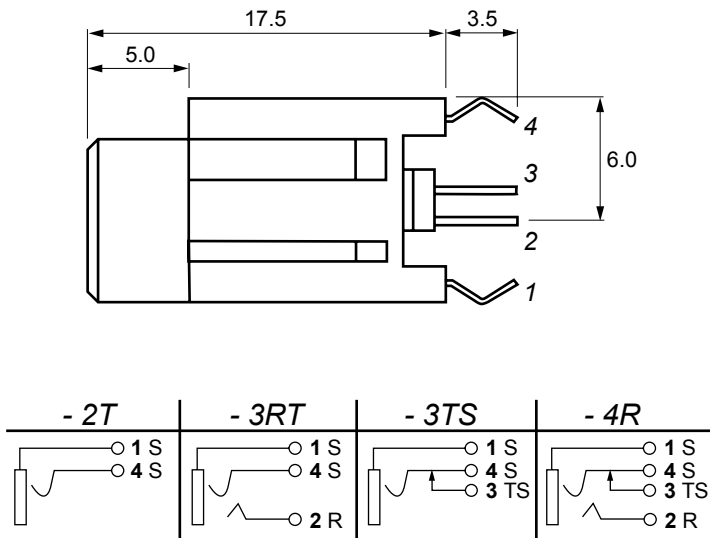
PCB 3.5mm EARPHONE JACK



SPECIFICATION

Contact resistance:	30mΩ max. (INITIAL)
Insulation resistance:	100mΩ min. AT 500V DC
Withstanding Voltage:	500V AC for one minute
Soldering heat:	260±5°C for 5±1 seconds
Insertion Force:	0.3-2.0 KG
Extraction Force:	0.3-2.0 KG
Lifetime:	5,000 cycles min

OUTLINE DRAWING



ORDERING INFORMATION

DBC	EJ	0368	-2T
Dubilier Connectors	3.5mm Earphone Socket	Series	Contacts
			-2T
			-3RT
			-3TS
			-4R