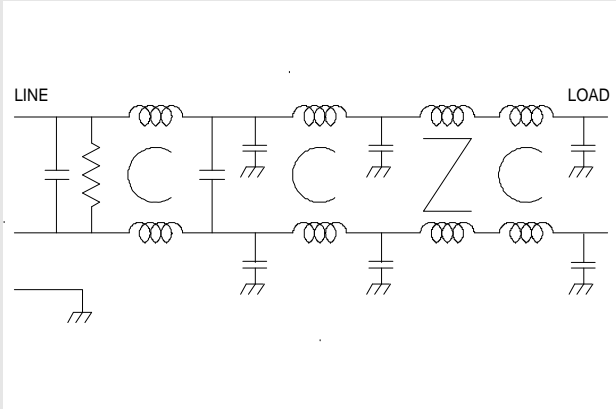


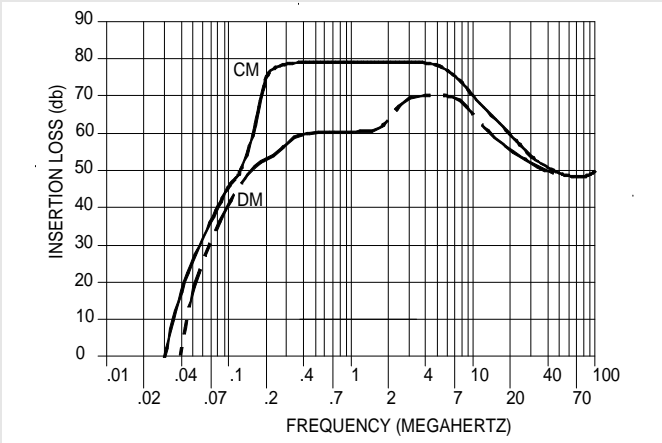
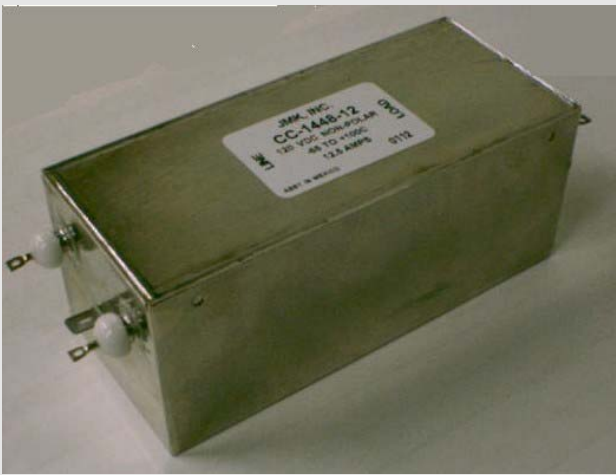


CC-1448-12

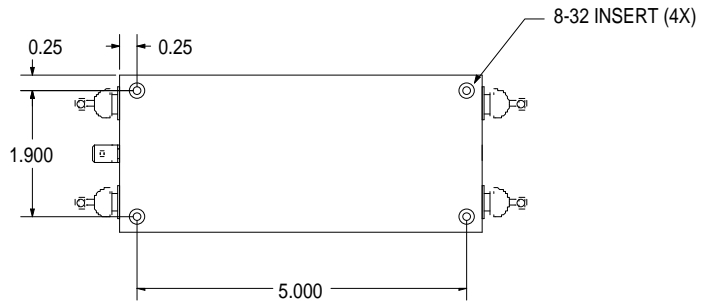
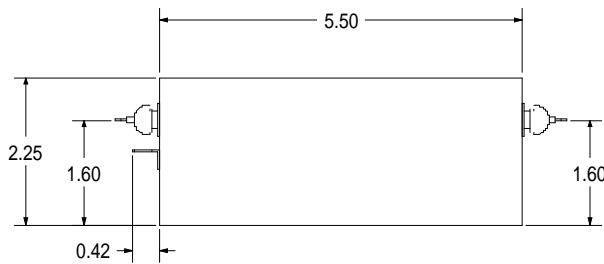
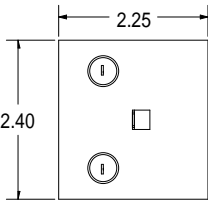
Operating Voltage = 250 Vac or Vdc @75°C
 Operating Voltage = 125 Vac or Vdc @100°C
 Operating Current (Max) = 12 AMP A/C or D/C
 Frequency = DC—60 HZ
 Temp range (Storage) = -40 to 125°C
 Temp range (Operating) @ 12.0 AMP= -65—100°C
 Dielectric Withstand voltage (Ph—Case) = 1500 Vac
 Dielectric Withstand voltage (Ph—Ph) = 1500 Vdc
 Leakage current @ 250 V~, 60 HZ = 2.5 MA max.
 Discharge Voltage after 60 sec = 34 V max.
 Weight = 1300 gram / 2.9 lb.
 Hermetically sealed



Order p/n: CC-1448-12



The CC-1448-12 is a single phase filter designed to function in the Mil-Std-461D Mil-Std-461E & Mil-Std-461F emissions Environment. The filter is also designed to function over a wide temperature range from -65 to +100 C. The filter is hermetically sealed to meet moisture and immersion requirements,



USA JMK Inc 15 Caldwell Dr. Amherst, NH 03031 PH: 603 886-4100 FX: 603 886-4115
 email: info@jmkfilters.com
 EUR JMK Inc Glasgow G13 1DN Scotland UK PH: 44-(0) 7785310729 FX: 44-(0) 141 588 1884