

"High Frequency Ceramic Solutions"

2.45 / 5.39 GHz Antenna

Detail Specificat 03/19/03

P/N 2450AD46A5388

Page 1 of 4

General Specifications

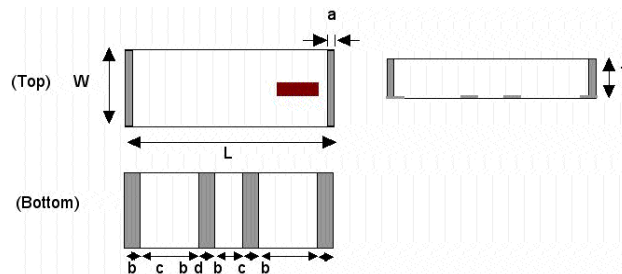
Part Number	2450AD46A5388_	
Frequency (MHz)	Low Band	High Band
	2400 - 2500	4900 - 5875
Return Loss	8.5 dB min.	8.5 dB min.
Peak Gain	1.0 dBi typ. (XZ-V)	-1.5 dBi typ.(YZ-V)
Ave. Gain	-2.5 dBi typ. (XZ-V)	-2.5 dBi typ. (YZ-V)

Input Power	3 Watts max.
Impedance	50 Ω
Operating Temperature	-40 to +85°C
Reel Quantity	1,000

No.	Function	Terminal Configuration
1	HIGH BAND FEED	
2	LOW BAND FEED	
3	NC	
4	NC	

Mechanical Dimensions

	In	mm
L	0.335 ± 0.008	8.50 ± 0.20
W	0.063 +.004 / -.008	1.60 +0.1 / -0.2
T	0.047 ± 0.008	1.20 ± 0.20
a	0.020 ± 0.012	0.50 ± 0.30
b	0.020 ± 0.006	0.51 ± 0.15
c	0.104 ± 0.006	2.64 ± 0.15
d	0.046 ± 0.006	1.18 ± 0.15

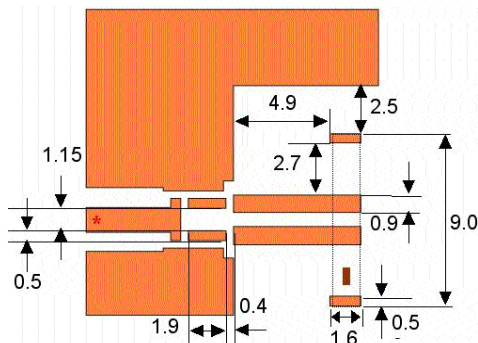


Mounting Considerations

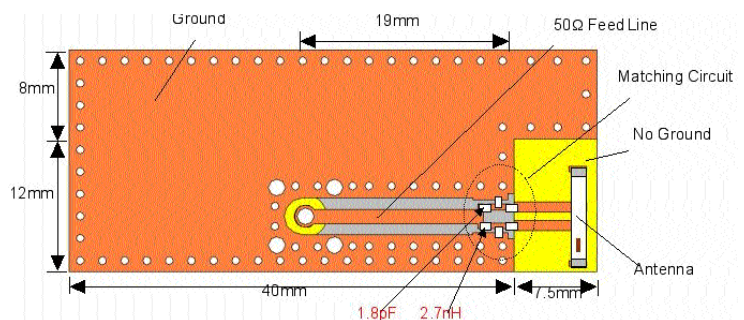
Mount these devices with brown mark facing up. Units: mm

Line width should be designed to provide 50Ω impedance matching characteristics.

PCB Layout



Test Board for Electrical Characteristic Measurements



Johanson Technology, Inc. reserves the right to make design changes without notice.

All sales are subject to Johanson Technology, Inc. terms and conditions.



www.johansontechnology.com

931 Via Alondra • Camarillo, CA 93012 • TEL 805.389.1166 FAX 805.389.1821

©2003 Johanson Technology, Inc. All rights reserved.

"High Frequency Ceramic Solutions"

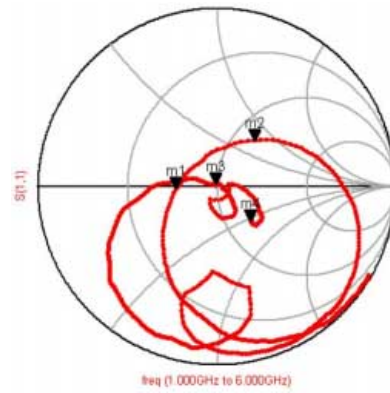
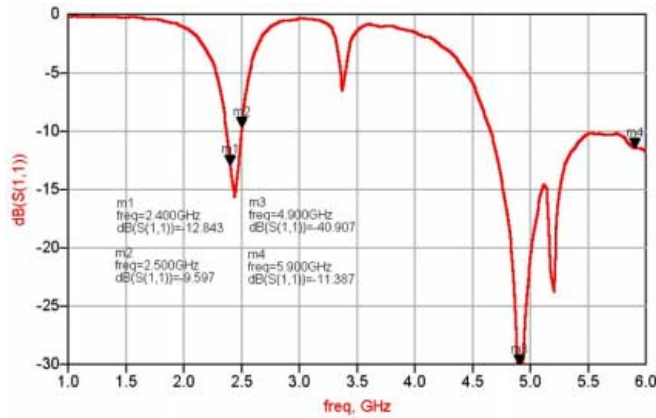
2.45 / 5.39 GHz Antenna

P/N 2450AD46A5388

Detail Specificat 03/19/03

Page 2 of 4

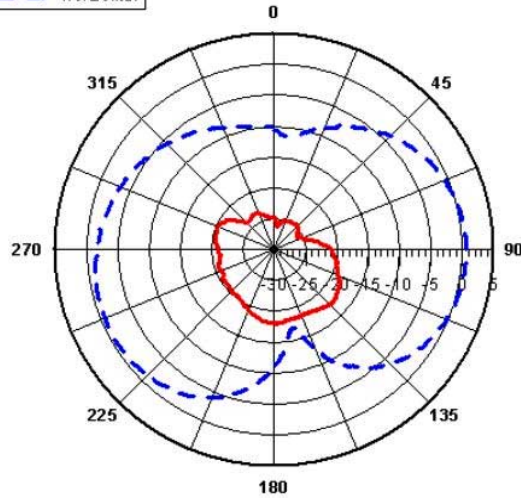
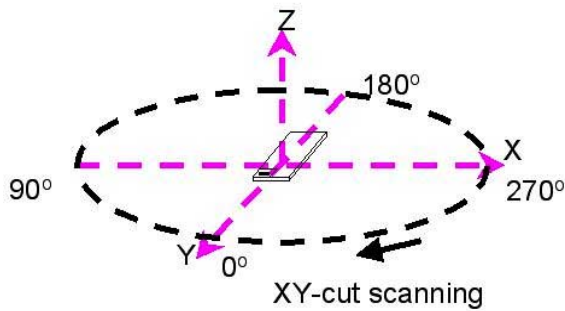
Typical Return Loss



Typical Radiation Patterns

XY-V/XY-H

XY cut @ 2.45 GHz
 — Vertical
 - - Horizontal



Johanson Technology, Inc. reserves the right to make design changes without notice.

All sales are subject to Johanson Technology, Inc. terms and conditions.



www.johansontechnology.com

931 Via Alondra • Camarillo, CA 93012 • TEL 805.389.1166 FAX 805.389.1821

©2003 Johanson Technology, Inc. All rights reserved.

"High Frequency Ceramic Solutions"

2.45 / 5.39 GHz Antenna

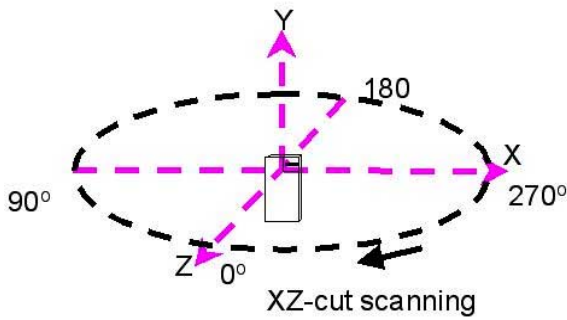
P/N 2450AD46A5388

Detail Specificat 03/19/03

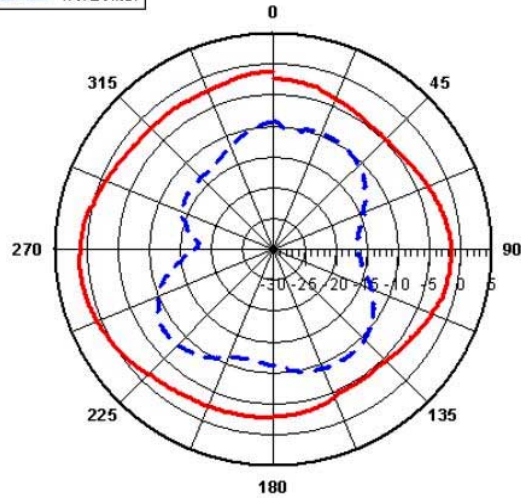
Page 3 of 4

Typical Radiation Patterns

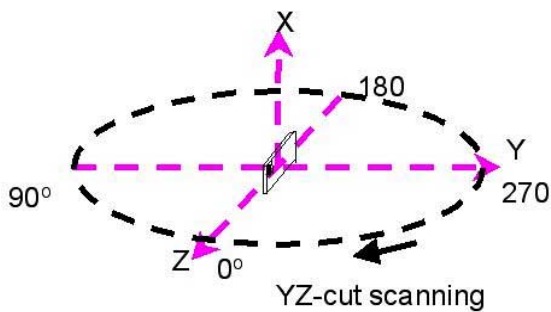
XZ-V/XZ-H



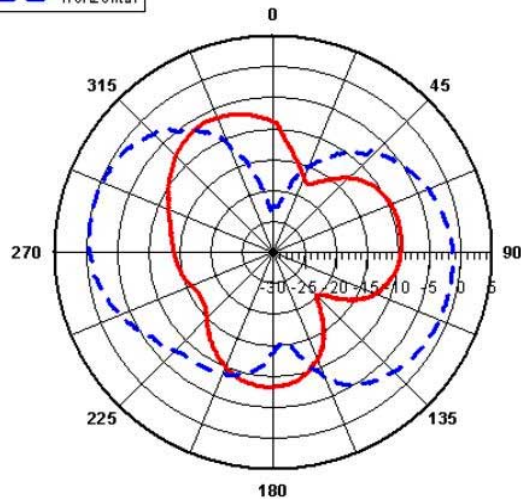
XZ cut @ 2.45 GHz
Vertical
Horizontal



YZ-V/YZ-H



YZ cut @ 2.45 GHz
Vertical
Horizontal



Johanson Technology, Inc. reserves the right to make design changes without notice.

All sales are subject to Johanson Technology, Inc. terms and conditions.



www.johansontechnology.com

931 Via Alondra • Camarillo, CA 93012 • TEL 805.389.1166 FAX 805.389.1821

©2003 Johanson Technology, Inc. All rights reserved.

"High Frequency Ceramic Solutions"

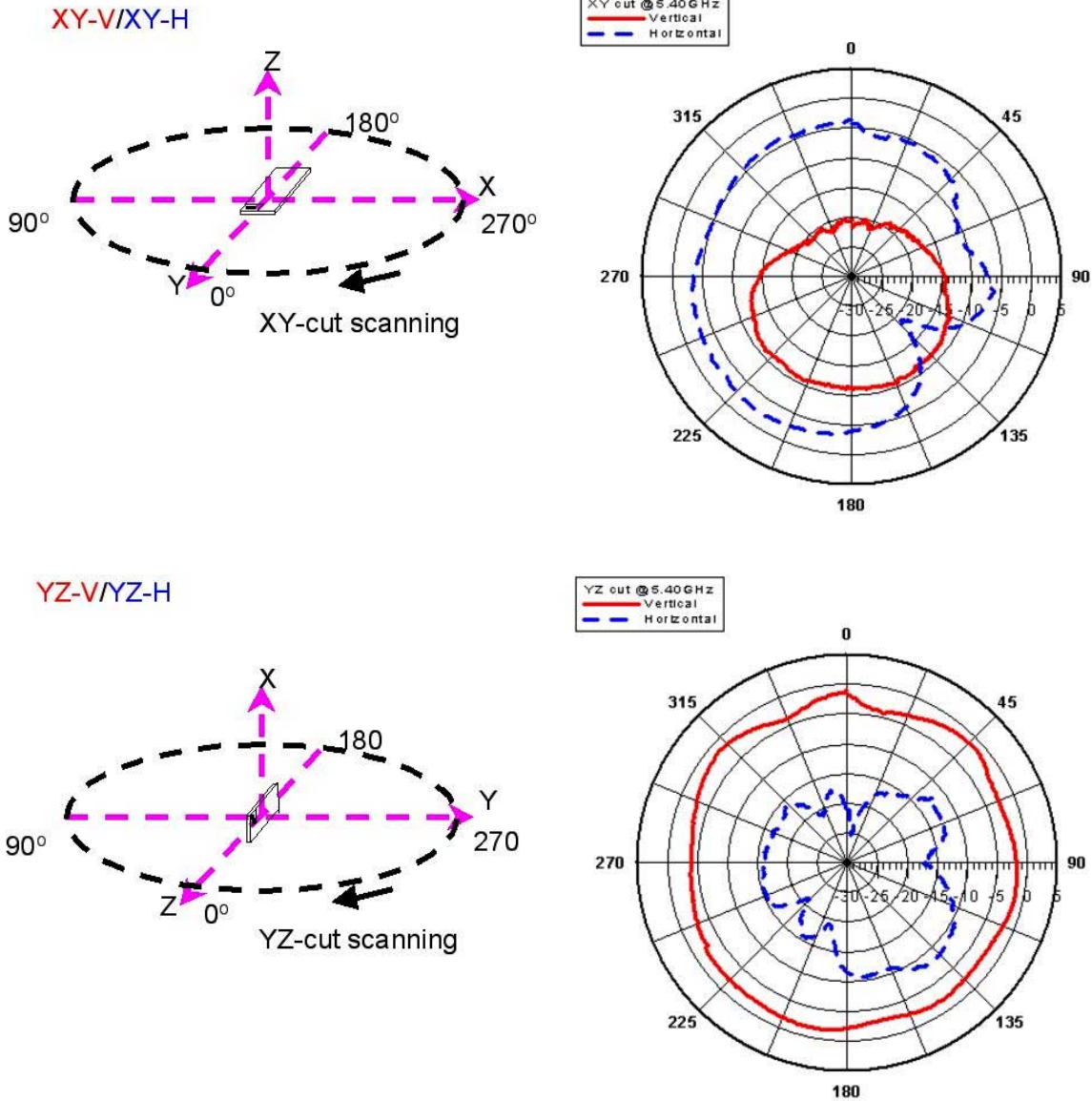
2.45 / 5.39 GHz Antenna

P/N 2450AD46A5388

Detail Specificat 03/19/03

Page 4 of 4

Typical Radiation Patterns



Johanson Technology, Inc. reserves the right to make design changes without notice.

All sales are subject to Johanson Technology, Inc. terms and conditions.



www.johansontechnology.com

931 Via Alondra • Camarillo, CA 93012 • TEL 805.389.1166 FAX 805.389.1821

©2003 Johanson Technology, Inc. All rights reserved.