

**P/N: 20PT1026BX DATA SHEET****Feature**

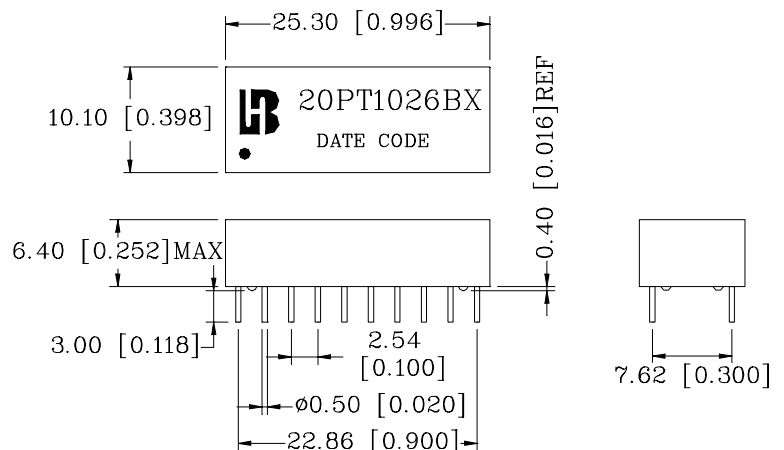
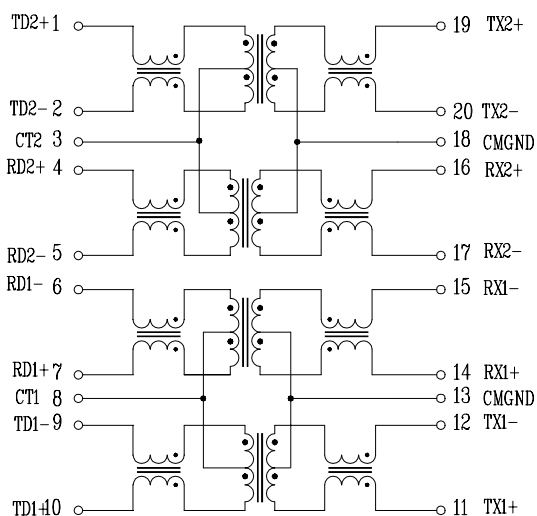
- Compliant with IEEE 802.3u and ANSI X3.263 standards Including 350uH OCL with 8mA Bias.
- Symmetrical TX and RX channels for Auto MDI/MDIX capability.
- Operating temperature range : 0°C to +70°C .
- Storage temperature range: -25°C to +105°C .

**Electrical Specifications @ 25°C**

Part Number	Turns Ratio (±5%)TX/RX	PRI OCL(uH Min) @100KHz/0.1V with 8mA DC/Bias	L.L (uH Max)	C <sub>w/w</sub> (pF Max)	Rise time (nS Typ) 10-90%	HI-POT (Vrms)
20PT1026BX	1CT:1CT	350	0.5	50	2.5	1500

**Continue**

Part Number	Insertion Loss (dB Max)	Return Loss (dB Min)				Cross talk (dB Min)	DCMR (dB Min)
	0.3-100MHz	0.3-30MHz	40MHz	50MHz	60-80MHz	0.3-100MHz	0.3-100MHz
20PT1026BX	-1.1	-18	-15	-13	-12	-35	-30

**Schematic****Mechanical**

Units: mm [Inches] Tolerances xx.x0±0.25 [0.010]  
 0.xx±0.05 [0.002]