

**P/N: 16ST0009MP DATA SHEET****Feature**

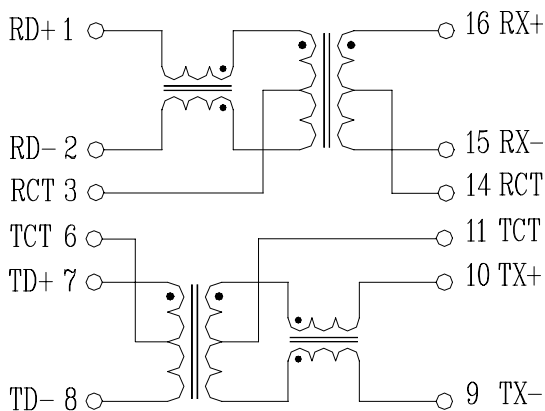
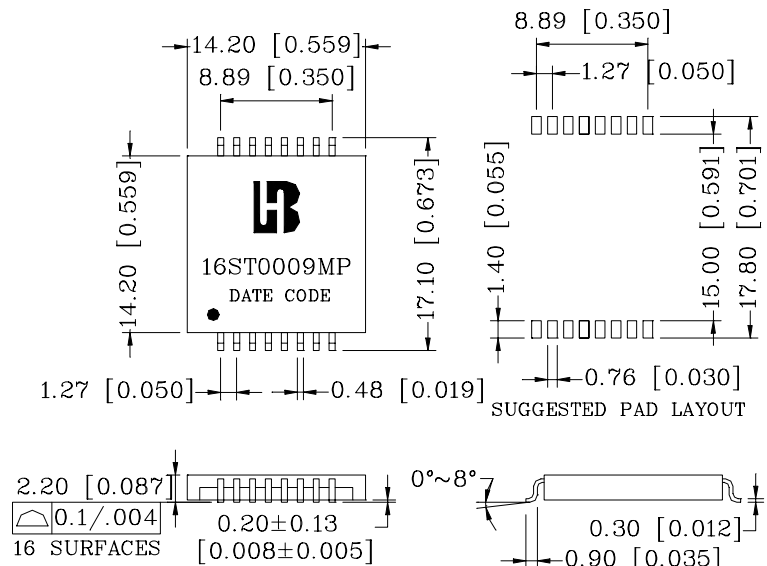
- Design for 10/100 MB/s TX & ATM 155 MB/s application.
- Meets ANSI X3.236-1995 TP-PMD, 100 Base-TX, ATM 155Mbps UNI, and IEEE 802.3u and 802.3i specifications
- Very low profile PCMCIA /PC Card , SMD package.
- Operating Temperature range: -40°C to +85°C.
- Storage temperature range: -40°C to +125°C.

Electrical Specifications @ 25°C

Part Number	Turns Ratio (±5%)		OCL (uH Min) @ 100KHz/0.1Vrms with 8mA DC Bias	Insertion Loss (dB Max) 0.3-100 MHz	HI-POT (Vrms)
	TX	RX			
16ST0009MP	1CT:1CT	1CT:1CT	350	-1.3	1500

Continue

Part Number	Return Loss (dB Min)			Cross talk (dB Min)			DCMR TX/RX(dB Min)			
	30MHz	60MHz	80MHz	30MHz	60MHz	100MHz	30MHz	50MHz	100MHz	150MHz
16ST0009MP	-16	-12	-11	-40	-40	-35	-35	-33	-20	-20

Schematic**Mechanical**

Units: mm[Inches] Tolerances: xx.x0±0.25[0.010]
0.xx±0.05[0.002]