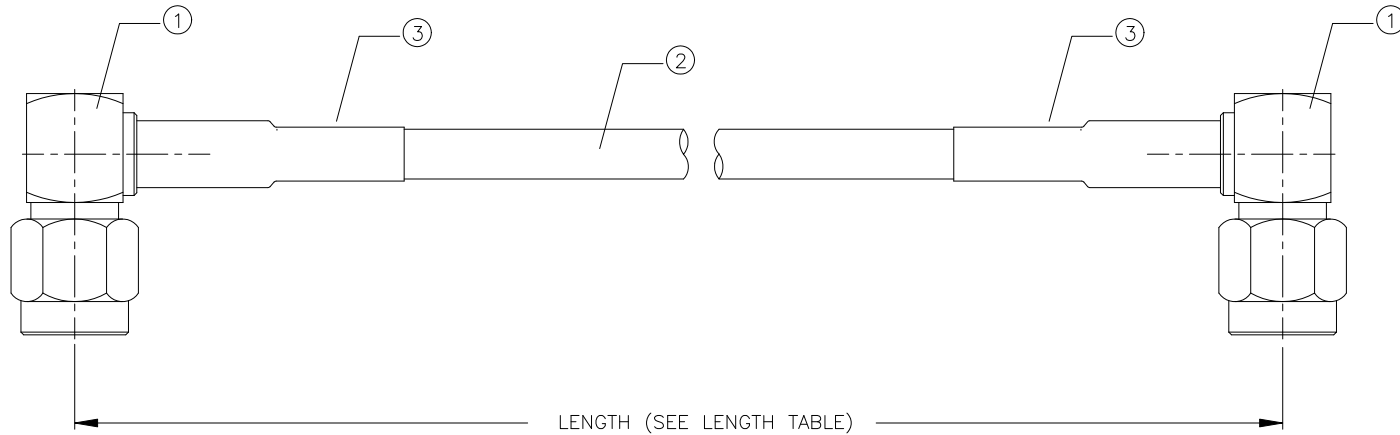


| REV. | DATE     | ECR NO. | DESCRIPTION     |
|------|----------|---------|-----------------|
| NC   | 02/03/09 | -       | INITIAL RELEASE |



| LENGTH TABLE    |              |
|-----------------|--------------|
| PART NUMBER     | LENGTH (IN.) |
| 135104-03-06.00 | 6.00         |
| 135104-03-12.00 | 12.00        |
| 135104-03-24.00 | 24.00        |
| 135104-03-36.00 | 36.00        |

NOTE:

1. PERFORM CONTINUITY AND HI-POT TESTING.
2. PACKAGED INDIVIDUALLY IN HEAT SEALED POLY BAG.

|   |             |   |        |
|---|-------------|---|--------|
| 4 |             |   |        |
| 3 | 009-954-341 | HEAT SHRINK TUBING, BLACK, 3/16" DIAMETER | A/R FT |
| 2 | 009-881-206 | COAXIAL CABLE, RG316/U DOUBLE BRAID CABLE | A/R FT |
| 1 | 132182      | CONNECTOR, SMA R/A PLUG, GOLD             | 2      |
|   | PN          | DESCRIPTION                               | QTY    |

UNLESS OTHERWISE SPECIFIED DIMENSIONS ARE IN MILLIMETERS. DIMENSIONS IN [ ] ARE IN INCHES AND FOR CUSTOMER REFERENCE ONLY.

UNLESS OTHERWISE SPECIFIED TOLERANCES FOR MILLIMETERS ARE:  
0.5 - 8mm ± 0.20mm  
8 - 30mm ± 0.40mm  
30 - 120mm ± 0.50mm

UNLESS OTHERWISE SPECIFIED TOLERANCES FOR INCHES ARE:  
.020 - .315 = ± 0.007"  
.315 - 1.180 = ± 0.015"  
1.180 - 4.724 = ± 0.020"

DO NOT SCALE DRAWING

| APPROVALS    | DATE                       |
|--------------|----------------------------|
| DRAWN G.R.S. | 02/03/09                   |
| CHECKED      |                            |
| ISSUED       |                            |
| SHEET 1 OF 1 |                            |
| CAD FILE     | C:/135/135104-03-XX.XX.DWG |

# Amphenol Connex

PART DESCRIPTION

SMA R/A PLUG TO SMA R/A PLUG  
RG316 DB

PART NO.

135104-03-XX.XX

DWG. NO.

135104-03-XX.XX.DWG

REV. NC

SIZE A

SCALE NA