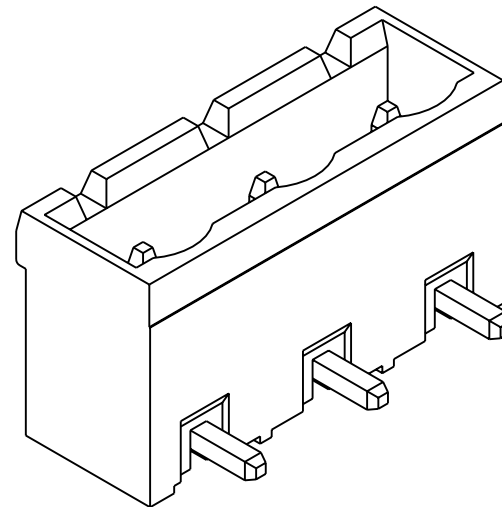
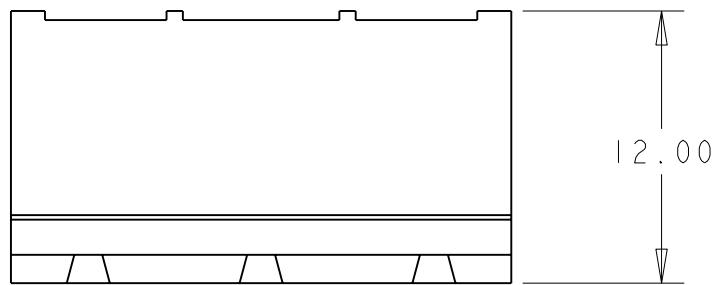
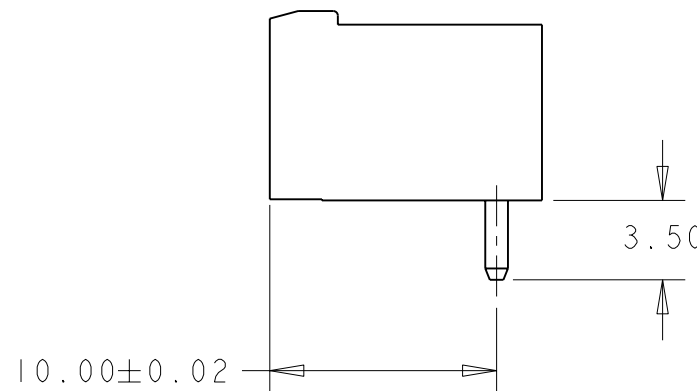
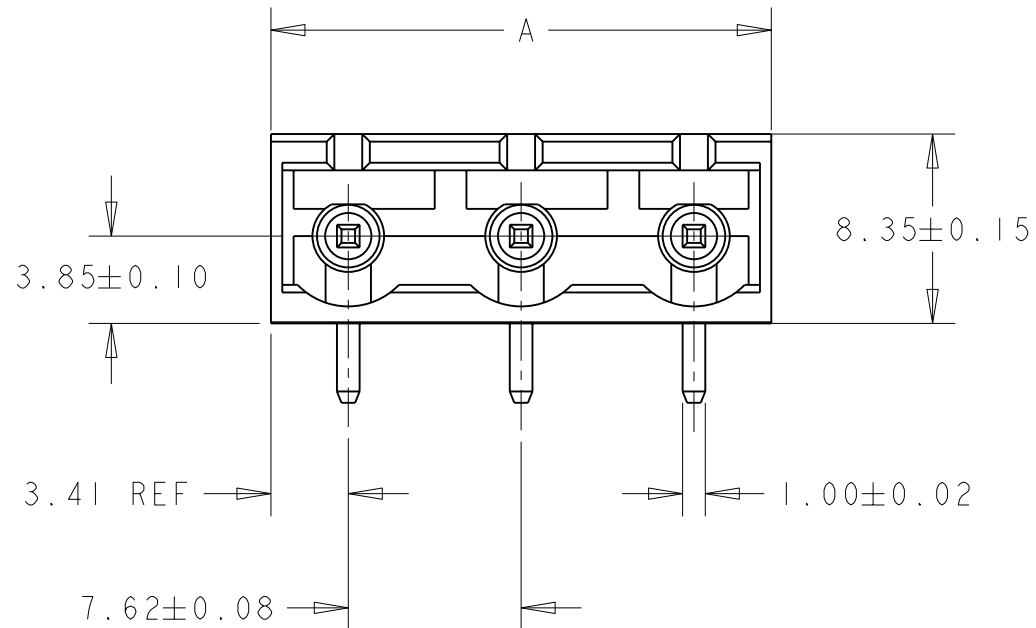


LOC	DIST	REVISIONS			
P	LTR	DESCRIPTION	DATE	DWN	APVD
FT	0	0	RELEASED EC 0G3B-0612-04	11JUL2005	SW CR

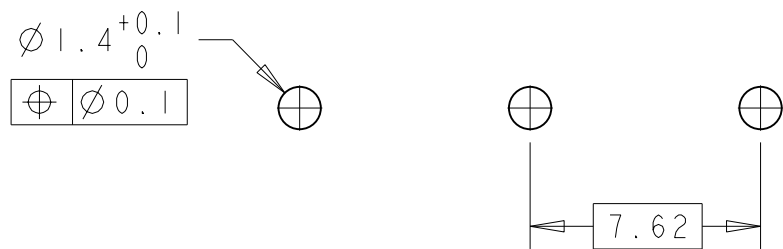


1776155-3 AS SHOWN

- 1 MATERIALS AND FINISH  
 HOUSING: HIGH TEMPERATURE POLYAMIDE, UL 94V-0 RATED,  
 COLOR: BLACK.  
 TERMINAL: PHOSPHOR BRONZE, TIN PLATED.
- 2 SUITABLE FOR 1,6-2,4mm PC BOARD THICKNESS.
- 3 RECOGNIZED UNDER THE COMPONENT PROGRAM OF  
 UNDERWRITERS LABORATORIES INC., FILE N° E60677.
- 4 IMQ CERTIFICATE WITH SURVEILLANCE IN CONFORMITY  
 WITH IEC 998-1/998-2-1.



90.64	12	1-1776155-2
83.02	11	1-1776155-1
75.40	10	1-1776155-0
67.78	9	1776155-9
60.16	8	1776155-8
52.54	7	1776155-7
44.92	6	1776155-6
37.30	5	1776155-5
29.68	4	1776155-4
22.06	3	1776155-3
14.44	2	1776155-2
A	NO OF POSN	PART NUMBER



RECOMMENDED PC BOARD LAYOUT

THIS DRAWING IS A CONTROLLED DOCUMENT FOR TYCO ELECTRONICS CORPORATION  
 IT IS SUBJECT TO CHANGE AND THE CONTROLLING ENGINEERING ORGANIZATION  
 SHOULD BE CONTACTED FOR THE LATEST REVISION.

DIMENSIONS: mm	TOLERANCES UNLESS OTHERWISE SPECIFIED: 0 PLC ±- 1 PLC ±0.2 2 PLC ±0.25 3 PLC ±- 4 PLC ±- ANGLES ±2	DWN S. WELDON 11JUL2005 CHK C. RICHARD 11JUL2005 APVD C. RICHARD 11JUL2005	<b>BUCHANAN</b> Tyco Electronics Harrisburg, PA 17105-3608	
MATERIAL	FINISH	PRODUCT SPEC 108-20166 APPLICATION SPEC 114-20079 WEIGHT -	NAME TERMINAL BLOCK HEADER ASSEMBLY, 90 DEGREE, CLOSED ENDS, 7.62mm PITCH	
		CUSTOMER DRAWING	SIZE A3	RESTRICTED TO -
			CAGE CODE 00779	
			DRAWING NO C-1776155	
			SCALE 3:1	SHEET 1 OF 1 REV 0