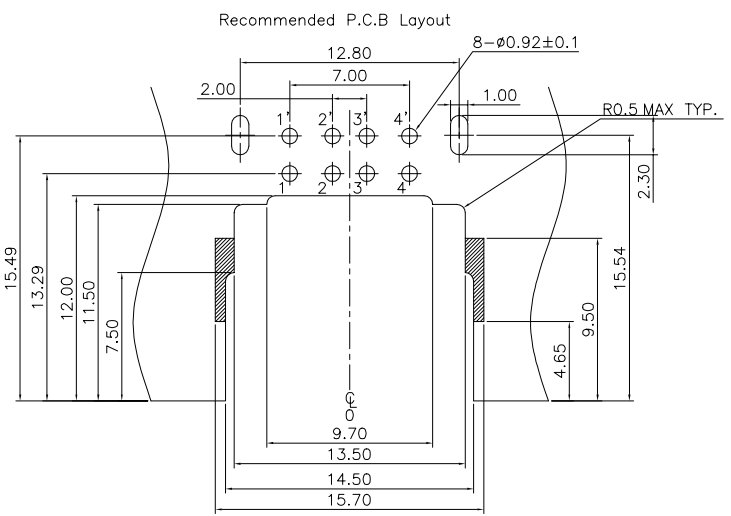
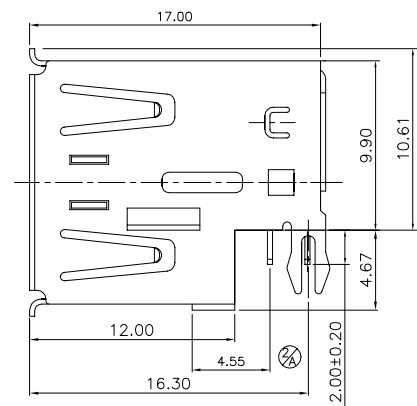
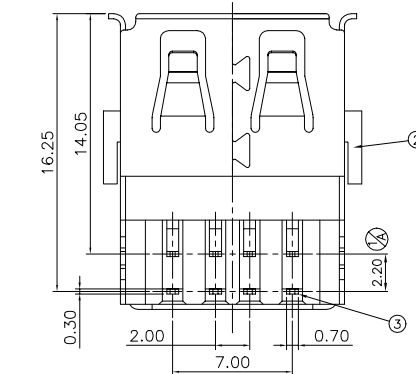
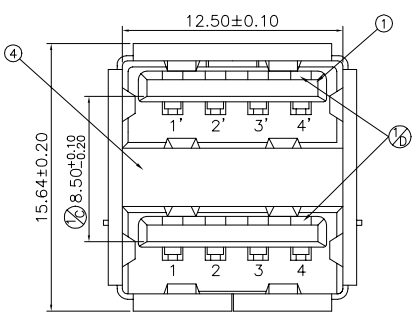
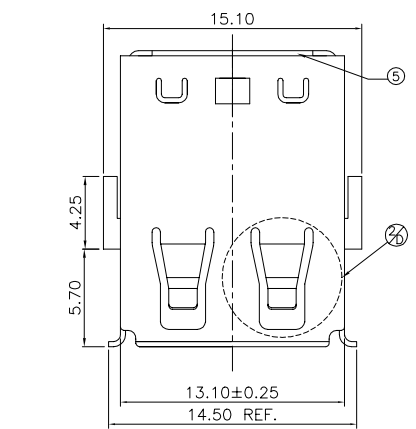


A
B
C
D
E
F
G
H
I
J
K
L
M
N



NOTE:
020122MR008□□18ZA

- Selective plating
 'S1,-05u" Min. gold in contact area/
 100u" Min. Tin in solder area.
 'S2,-Gold flash in contact area/
 100u" Min. Tin in solder area.
 'S3,-10u" Min. gold in contact area/
 100u" Min. Tin in solder area.
 'S4,-15u" Min. gold in contact area/
 100u" Min. Tin in solder area.
 'S5,-30u" Min. gold in contact area/
 100u" Min. Tin in solder area.
 'S6,-50u" Min. gold in contact area/
 100u" Min. Tin in solder area.

NO.	DESCRIPTION	MATERIAL	COLOR	REMARK
5	Top Shell	Stainless Steel	—	NI
4	Middle Shell	Stainless Steel	—	NI
3	Terminal	Phos.Bronze	—	GLD/TIN
2	Shell	Stainless Steel	—	NI
1	Plastic	LCP	BLACK	UL90V-0

SUYIN
CONNECTOR

CUSTOMER COPY	TITLE:	USB Series A Type Dual Port Dip Type
PART NO.	020122MR008SX18ZA (E)	
PART NO. (OLD)	2522AY-08XXX-R (E)	
DRAWING NO.	020122MR008SX18ZA	
SCALE	4:1	UNIT mm A4

ECN (DCN) NO.	REV	DATE	DESCRIPTION	CHANGE	APPRO.	GENERAL TOLERANCE UNLESS OTHERWISE NOTED
	E		E1:增加新料號		Angle ±2°	
EC1T-021114-07	C	02/11/14	D1:增加偷料孔;D2:修改鐵殼彈片	宋勃逸 宋權哲	30 ~ ±0.50	DRAW 鄭家奇 01/07/04
	D		C1:8.50-->8.50 ^{+0.10} / _{-0.20}	陳信機 陳清照	10 ~ 30 ±0.30	DESIGN 鄭家奇 01/07/04
	B	02/07/13	B1:重新重點標註和品名	龔軍 陳清照	~ 10 ±0.15	CHECK 宋權哲 01/07/04
						APPRO. 宋權哲 01/07/04