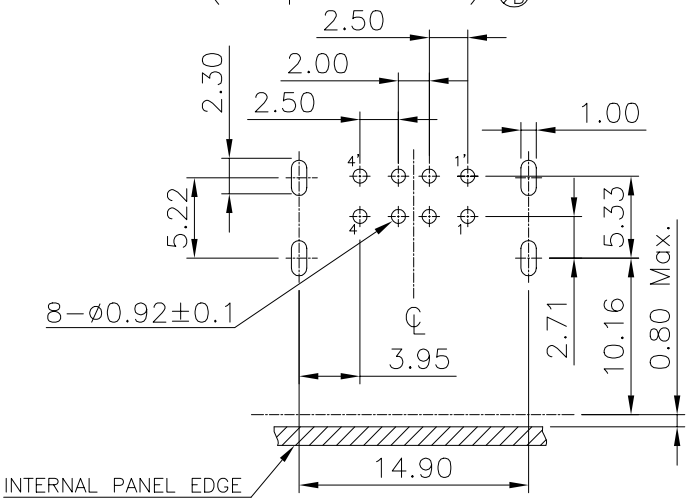
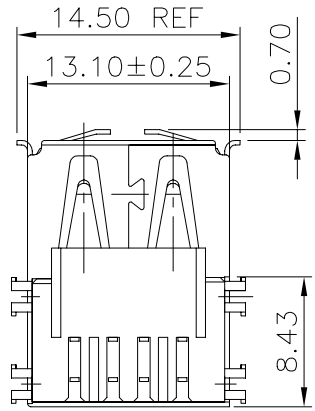


NOTE:

- A. 020122MR008 S□16ZX(2522AX-08 G□T -P)
- Selective plating  
 'S1(G1T)-05u" select gold in contact/  
 Min. 100u" tin in solder area  
 'S2(G2T)-Gold flash in contact area/  
 Min. 100u" tin in solder area  
 'S3(G3T)-10u" select gold in contact/  
 Min. 100u" tin in solder area  
 'S4(G4T)-15u" select gold in contact/  
 Min. 100u" tin in solder area  
 \*'S5(G5T)-30u" select gold in contact/  
 Min. 100u" tin in solder area  
 \*'S6(G6T)-50u" select gold in contact/  
 Min. 100u" tin in solder area  
 \* 符合 USB 協會認證

Recommended P.C.B Layout (Component Side)



Dimensional Information

SUYIN P/NO.	SUYIN P/NO.(OLD)	PACKAGE
020122MR008SX16ZU	2522A-08GXT-P	TUBE
020122MR008SX16ZA	2522AY-08GXT-P	TRAY

NO.	DESCRIPTION	MATERIAL	COLOR	REMARK
5	Top Shell	Copper	—	Nickel Plated
4	Middle Shell	Copper	—	Nickel Plated
3	Terminal	Pho.Bronze	—	Gold/Tin Plated
2	Shell	Copper	—	Nickel Plated
1	Plastic	NY-9T	Black	UL 94V-0

**SUYIN**  
CONNECTOR

CUSTOMER COPY TITLE: USB Series A Type R/A Reverse Dual Port Dip Type

ECN (DCN) NO.	REV	DATE	DESCRIPTION	CHANGE	APPRO.	GENERAL TOLERANCE UNLESS OTHERWISE NOTED	APPRO.	SCALE	UNIT	mm	A4
EC11T-030130-09	B		ADD:B1; B2:修正PIN位; B3,B4:增加系列表;變更料號			Angle ±2°	DRAW 鄭家奇	01/07/15	PART NO.	020122MR008SX16ZX	
	A	03/01/30	A1:變更料號; A2:NY-6T->NY-9T; A3:2.62->2.70; A4:12.87->12.87±0.10; A5:2.45->2.60±0.10	宋勃逸	宋權哲	30 ~ ±0.50	DESIGN 鄭家奇	01/07/15	PART NO. (OLD)	2522AX-08GXT-P	
	O	01/07/17	NEW	鄭家奇	宋權哲	10 ~ 30 ±0.30	CHECK 宋權哲	01/07/15	DRAWING NO.	020122MR008SX16ZX	
						~ 10 ±0.15	APPRO. 宋權哲	01/07/15	SCALE	2:1	