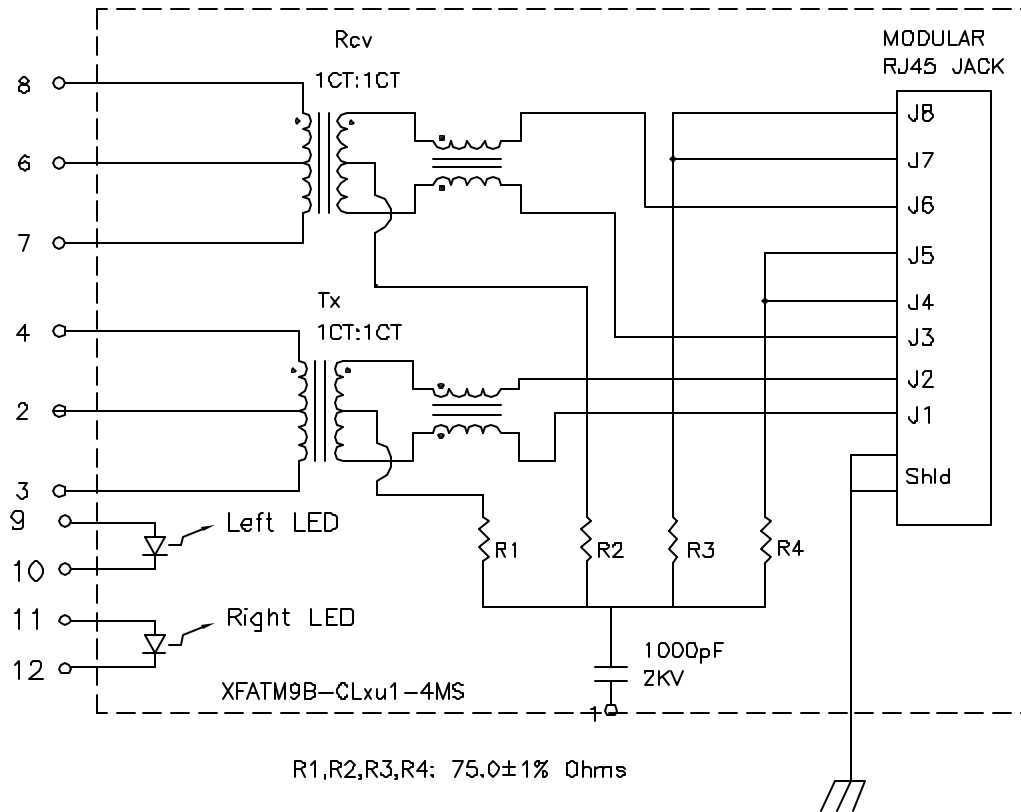


Schematic:



Electrical Specifications: @25°C

Isolation Voltage: 1500Vrms
 UTP SIDE OCL: 350uH Min @100KHz 100mV 8mADC
 Rise Time (10-90%): 2.5ns Typical
 Insertion Loss (300KHz-100MHz): -1.1dB Maximum
 Insertion Loss (100MHz-125MHz): -1.5dB Maximum
 Return Loss: -18dB Min. @30MHz
 -12dB Min. @80MHz

Crosstalk:

300KHz-60MHz -40dB Typical
 60MHz-100MHz -38dB Typical

Common Mode to Differential Mode Rejection:

300KHz-60MHz -45dB Typ (Tx) / -40dB Typ (Rx)
 60MHz-100MHz -40dB Typ (Tx) / -35dB Typ (Rx)

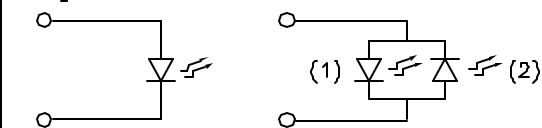
Complete the Combo P/N as follows:

Replace 'x' & 'u' in the part number with one of the LED color letters:

Y=Yellow
 G=Green
 A=Amber
 R=Red
 C=Green(1)/Amber(2) Bicolor
 D=Amber(1)/Green(2) Bicolor
 M=Green(1)/Yellow(2) Bicolor
 N=Yellow(1)/Green(2) Bicolor
 P=Red(1)/Green(2) Bicolor
 Q=Green(1)/Red(2) Bicolor

Single Color LED:

Bi-Color LED:



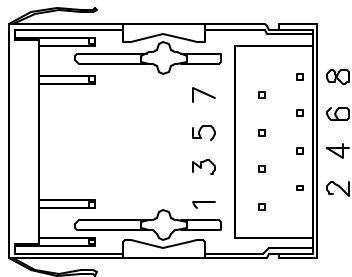
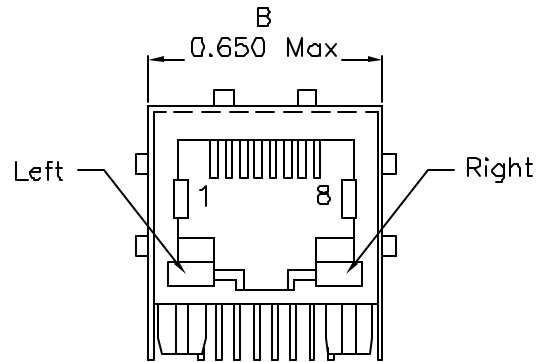
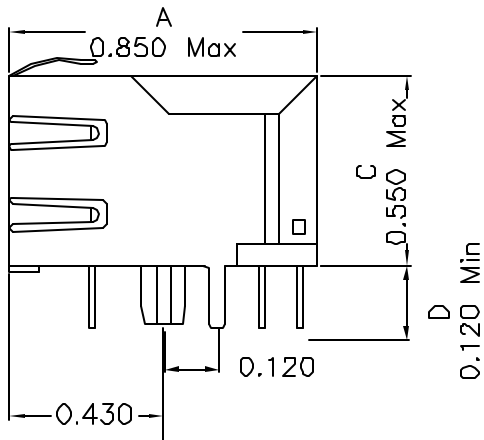
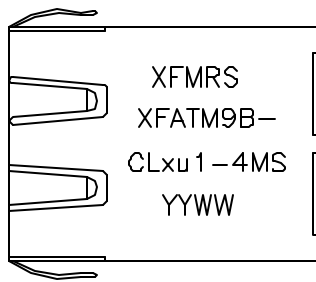
DOC REV: A/4

Notes:

1. Solderability: Leads shall meet MIL-STD-202, Method 208D for solderability.
2. Flammability: UL94V-0
3. ASTM oxygen index: > 28%
4. Insulation System: Class F 155°C. UL file E151556
5. Operating Temperature Range: All listed parameters are to be within tolerance from -40°C to +85°C

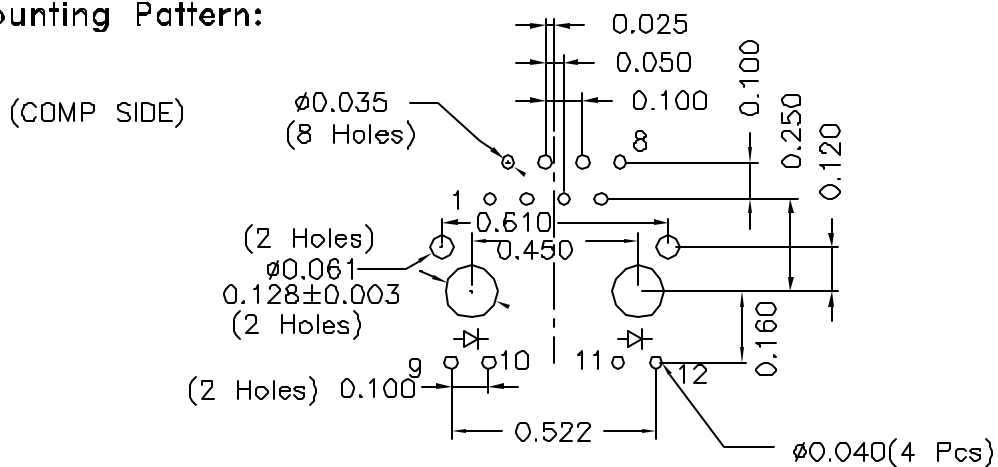
XFMRs Inc.	Title: SINGLE PORT COMBO		
UNLESS OTHERWISE SPECIFIED TOLERANCES: .xxx ±0.010	P/N: XFATM9B-CLxu1-4MS	REV. A	
Dimensions in Inch	DWN. 罗振江	Sep-03-03	
SHEET 1 OF 2	CHK. 廖玉坤	Sep-03-03	
	APP. Isaiah M	Sep-03-03	

Mechanical Dimensions:



(BOTTOM VIEW)

Mounting Pattern:



DOC REV: A/4

XFMRS Inc.	Title: Mechanical Dimensions For CLxu1-4MS Series	
	UNLESS OTHERWISE SPECIFIED TOLERANCES: .xxx ±0.010 Dimensions in Inch	P/N: XFATM9B-CLxu1-4MS REV. A DWN. 罗振江 CHK. 廖玉坤 APP. Isaiah M
SHEET 2 OF 2	APP.	Isaiah M Sep-03-03